

SANTA BARBARA COUNTY FLOOD CONTROL AND WATER CONSERVATION DISTRICT

SAN YSIDRO DEBRIS BASIN IMPROVEMENT PROJECT

SC8356

IN THE MONTECITO AREA OF SANTA BARBARA COUNTY, CALIFORNIA

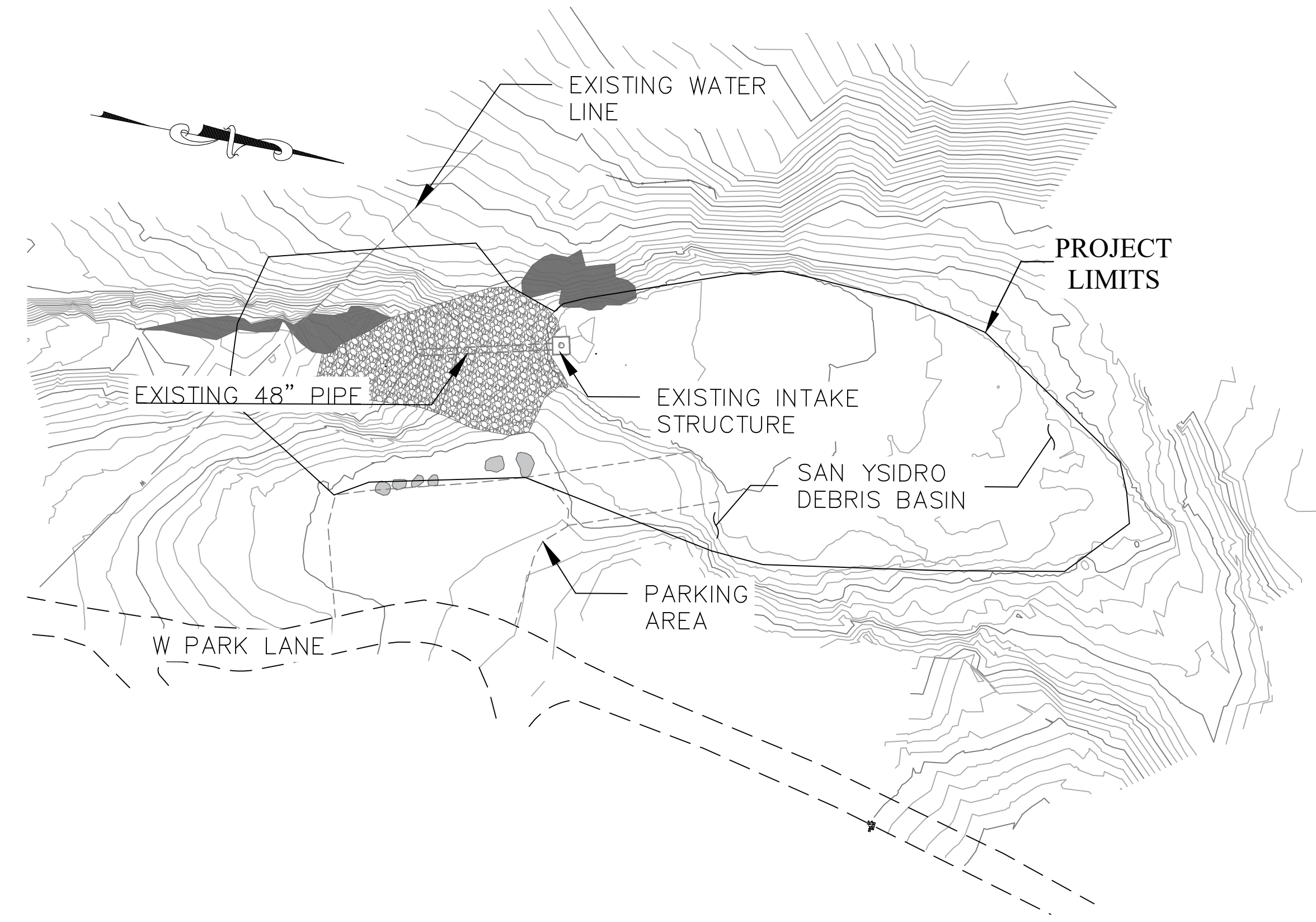
DISTRICT BOARD OF DIRECTORS

FIRST DISTRICT	Das Williams
SECOND DISTRICT, VICE CHAIR	Laura Capps
THIRD DISTRICT	Joan Hartmann
FOURTH DISTRICT	Bob Nelson
FIFTH DISTRICT, CHAIR	Steve Lavagnino

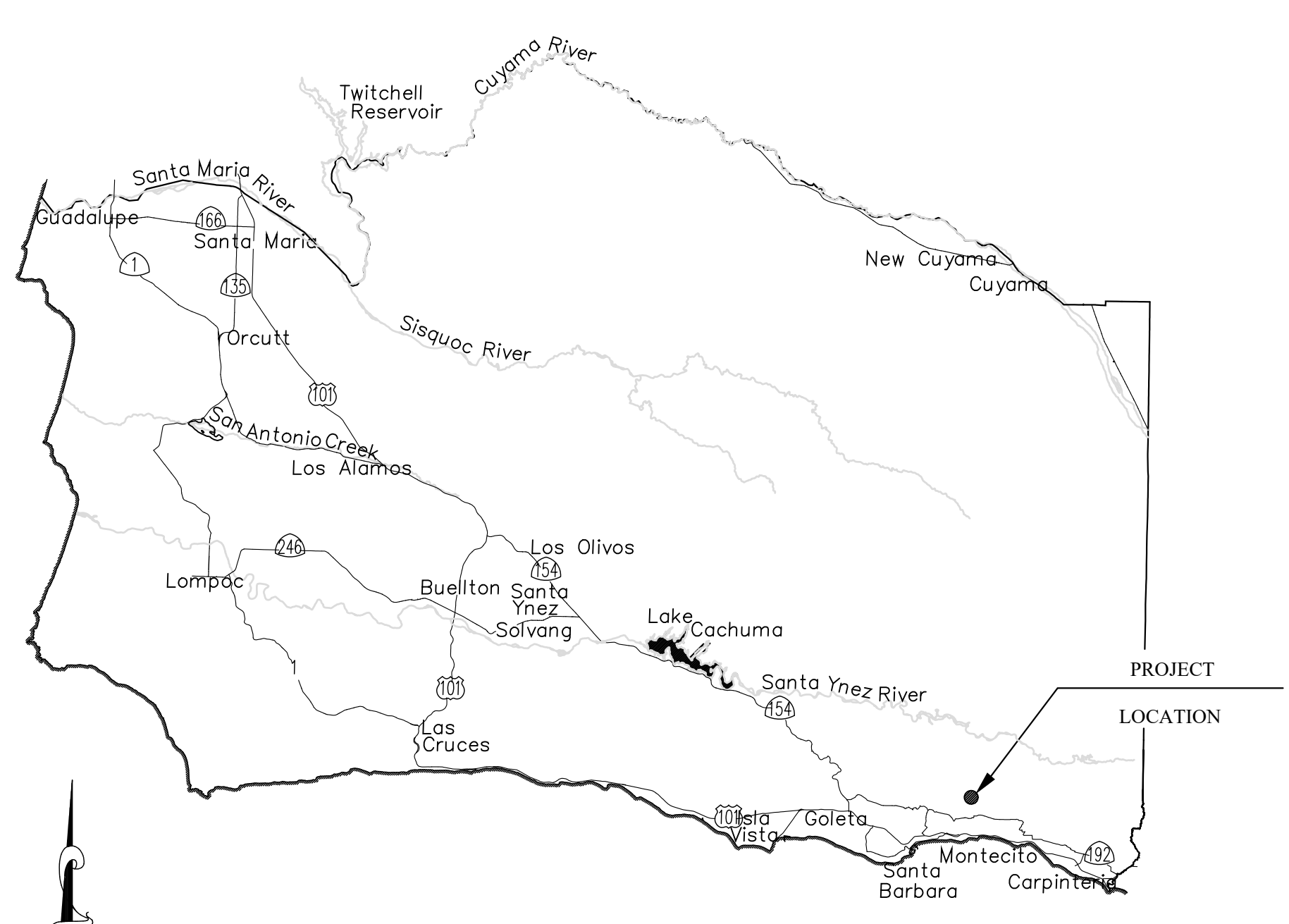
CHAIR BOARD OF DIRECTORS *Original to be signed*
Steve Lavagnino

INDEX TO SHEETS

DESCRIPTION	SHEET NO.
TITLE SHEET	1
GENERAL INFORMATION	2
SURVEY INFORMATION	3
KEYLINE GEOMETRY	4
DEMOLITION PLAN	5
TYPICAL SECTIONS	6
LAYOUT PLAN	7
GRADING PLAN	8
SAN YSIDRO CONTROL LINE PROFILE	9
SECTIONS 1	10
SECTIONS 2	11
SECTIONS 3	12
SBM ROCK PLACEMENT DETAIL	13
DEBRIS BARRIER STANDARD DETAIL	14
LARGE WOODY DEBRIS DETAIL	15
WALL GENERAL PLAN	16
WALL DETAILS 1	17
WALL DETAILS 2	18



EXISTING CONDITION
SCALE: No Scale



VICINITY MAP
SCALE: No Scale



UNAUTHORIZED CHANGES OR USES:
THE SANTA BARBARA COUNTY FLOOD CONTROL & WATER CONSERVATION DISTRICT AND ITS EMPLOYEES WILL NOT BE RESPONSIBLE FOR, OR LIABLE FOR, UNAUTHORIZED CHANGES TO OR USES OF THESE PLANS. ALL PROPOSED CHANGES TO THE PLANS MUST BE PRESENTED IN WRITING TO THE DISTRICT AND APPROVED IN WRITING BY THE DISTRICT PRIOR TO IMPLEMENTATION OF ANY SUCH CHANGE OR USE.
CONTRACTOR'S LICENSE
THE CONTRACTOR SHALL POSSESS THE CLASS (OR CLASSES) OF LICENSE AS SPECIFIED IN THE "NOTICE" ADVERTISING FOR BIDS.

<table border="1"> <thead> <tr> <th colspan="4">REVISIONS</th> </tr> <tr> <th>NO.</th> <th>DESCRIPTION</th> <th>DATE</th> <th>APR</th> </tr> </thead> <tbody> <tr><td> </td><td> </td><td> </td><td> </td></tr> <tr><td> </td><td> </td><td> </td><td> </td></tr> <tr><td> </td><td> </td><td> </td><td> </td></tr> <tr><td> </td><td> </td><td> </td><td> </td></tr> </tbody> </table>				REVISIONS				NO.	DESCRIPTION	DATE	APR																		DESIGNED BY: <i>Lesley Brooks</i> 02/12/2024 WRECO REVIEWED BY: <i>Mark Griffin</i> 3/17/2024 9:23 AM PDT FLOOD CONTROL ENGINEERING MANAGER REVIEWED BY: <i>Walter Kubalana</i> 3/17/2024 9:15 PM PDT FLOOD CONTROL DEPUTY DIRECTOR	REVIEWED BY: <i>Flora Adams</i> 3/18/2024 6:51 AM PDT MAINTENANCE SUPERINTENDENT REVIEWED BY: <i>Cam</i> 3/18/2024 8:21 AM PDT ENVIRONMENTAL SERVICES MANAGER	SANTA BARBARA COUNTY FLOOD CONTROL AND WATER CONSERVATION DISTRICT 130 E. VICTORIA STREET SANTA BARBARA, CA 93101 (805) 568-3440		SAN YSIDRO DEBRIS BASIN IMPROVEMENT PROJECT AREA OF MONTECITO SANTA BARBARA COUNTY, CALIFORNIA	TITLE SHEET	DESIGNED BY: LB DRAWN BY: CF CHECKED BY: HBL	<h1>O-1157</h1> SHEET 1 OF 18 Filename: San Ysidro DB Plans.DWG
REVISIONS																																				
NO.	DESCRIPTION	DATE	APR																																	

SYMBOL LEGEND

CONTROL POINT		EX. ROCK		EX. TREE	
EX. CABLE TV BOX		EX. SEWER CLEANOUT		EX. TREE - EUCALYPTUS	
EX. CABLE TV VAULT		EX. SEWER MANHOLE		EX. TREE - LEMON	
EX. ELECTRIC BOX		EX. SIGNAGE		EX. TREE - PALM	
EX. ELECTRIC GUY WIRE		EX. STORM DRAIN GRATE		EX. TREE - PINE	
EX. ELECTRIC MANHOLE		EX. STORM DRAIN MANHOLE		EX. TREE - STUMP	
EX. ELECTRIC METER		EX. STRUCTURE BENCH		EX. TREE - SYCAMORE	
EX. FIRE HYDRANT		EX. STRUCTURE BOLLARD/POST		EX. TREE - WILLOW	
EX. GAS METER		EX. TELEPHONE BOX		EX. TREE - YUCCA	
EX. GAS VALVE		EX. TELEPHONE MANHOLE		EX. WATER METER	
EX. IRRIGATION SPRINKLER		EX. TELEPHONE POLE		EX. WATER SPIGOT	
EX. LUMINARY		EX. TELEPHONE VAULT		EX. WATER VALVE	
EX. MAILBOX		EX. BUSH/HEDGE		EX. WATER WELL	
EX. MONUMENT		EX. CACTUS			
EX. PEDESTAL		EX. SHRUB			
EX. POWER & TELEPHONE POLE					

LINETYPE LEGEND

BOUNDARY PROPERTY LINE		GRADED ROCK SLOPE PROTECTION	
CENTERLINE		EXISTING GROUTED RIPRAP	
CONTOUR LINE-MAJOR		SBM	
CONTOUR LINE-MINOR		ROCK BAND	
EX. BARBED WIRE FENCE		EXISTING BEDROCK OUTCROPPING	
EX. BRUSH		GROUTED RIPRAP REMOVAL LIMITS	
EX. CHAINLINK FENCE		EXISTING SBM	
EX. DRAINAGE			
EX. STORM DRAIN			
GRADING LIMITS			
EX. WATER LINE			
EX. EDGE OF PAVEMENT			
STAGING AREA			

STANDARD DETAILS AND PLANS LIST

STANDARD NO.	DESCRIPTION
A62B	LIMITS OF PAYMENT FOR EXCAVATION AND BACKFILL BRIDGE SURCHARGE AND WALL

ABBREVIATIONS

APN	ASSESSORS PARCEL NUMBER	OG	ORIGINAL GRADE
APWA	AMERICAN PUBLIC WORKS ASSOC.	R, RT	RIGHT
BW	BOTH WAYS	RC	RELATIVE COMPACTION
CFS	CUBIC FEET PER SECOND	RCP	REINFORCED CONCRETE PIPE
CL or C/L	CENTER LINE	REINF	REINFORCEMENT
CLR	CLEAR	RW OR RETWALL	RETAINING WALL
CALTRANS	STATE OF CALIFORNIA	S	SEWER OR SLOPE OR SOUTH
COUNTY	COUNTY OF SANTA BARBARA	SBM	STREAMBED MATERIAL
CP	CONTROL POINT	SDMH	STORM DRAIN MANHOLE
E	EAST OR EASTING	STA	STATION
EG	EXISTING GROUND ELEVATION	T.R.	THREADED ROD
EL	ELEVATION	TW or tw	TOP OF WALL
ESM	ENGINEERED STREAMBED MATERIAL	TCE	TEMPORARY CONSTRUCTION EASEMENT
FG	FINISHED GRADE	T&B	TOP AND BOTTOM
FT	FEET	TBM	TEMPORARY BENCH MARK
G	GAS LINE	TYP	TYPICAL
GB	GRADE BREAK	WF	WALL FACE
HDPE	HIGH DENSITY POLYETHYLENE		
IN	INCH		
L, LT	LEFT		
LOL	LAYOUT LINE		
MAX	MAXIMUM		
MJ	MECHANICAL JOINT		
MIN	MINIMUM		
MON	MONUMENT		
N	NORTH OR NORTHING		

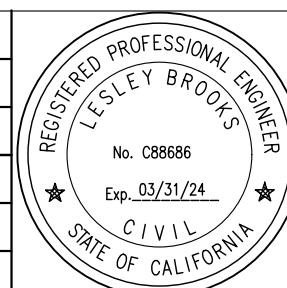
EXISTING UTILITY INFORMATION

ALL UNDERGROUND UTILITIES SHOWN ARE PLOTTED BASED ON INFORMATION PROVIDED BY OTHERS, AND ARE APPROXIMATE. OVERHEAD UTILITIES ARE NOT SHOWN. NOTE THAT INDIVIDUAL SERVICE LATERALS AND CONNECTIONS ARE NOT PLOTTED ON THE PROFILE.

THE SANTA BARBARA COUNTY FLOOD CONTROL DISTRICT IS NOT RESPONSIBLE FOR THE ACCURACY OF THIS INFORMATION. CONTRACTOR SHALL NOTIFY UNDERGROUND SERVICE ALERT A MINIMUM OF TWO WORKING DAYS PRIOR TO COMMENCEMENT OF ANY EXCAVATION @ 1-800-422-4133.



REVISIONS			
NO.	DESCRIPTION	DATE	APR



DESIGNED BY:	<i>Lesley Brooks</i>	02/12/2024
WRECO		DATE

SANTA BARBARA COUNTY
FLOOD CONTROL AND
WATER CONSERVATION DISTRICT
130 E. VICTORIA STREET
SANTA BARBARA, CA 93101
(805) 568-3440



SAN YSIDRO DEBRIS
BASIN IMPROVEMENT PROJECT
AREA OF MONTECITO
SANTA BARBARA COUNTY, CALIFORNIA

GENERAL INFORMATION

DESIGNED BY:	LB
DRAWN BY:	CF
CHECKED BY:	HBL

O-1157

SHEET 2 OF 18

Filename: San Ysidro DB Plans.DWG

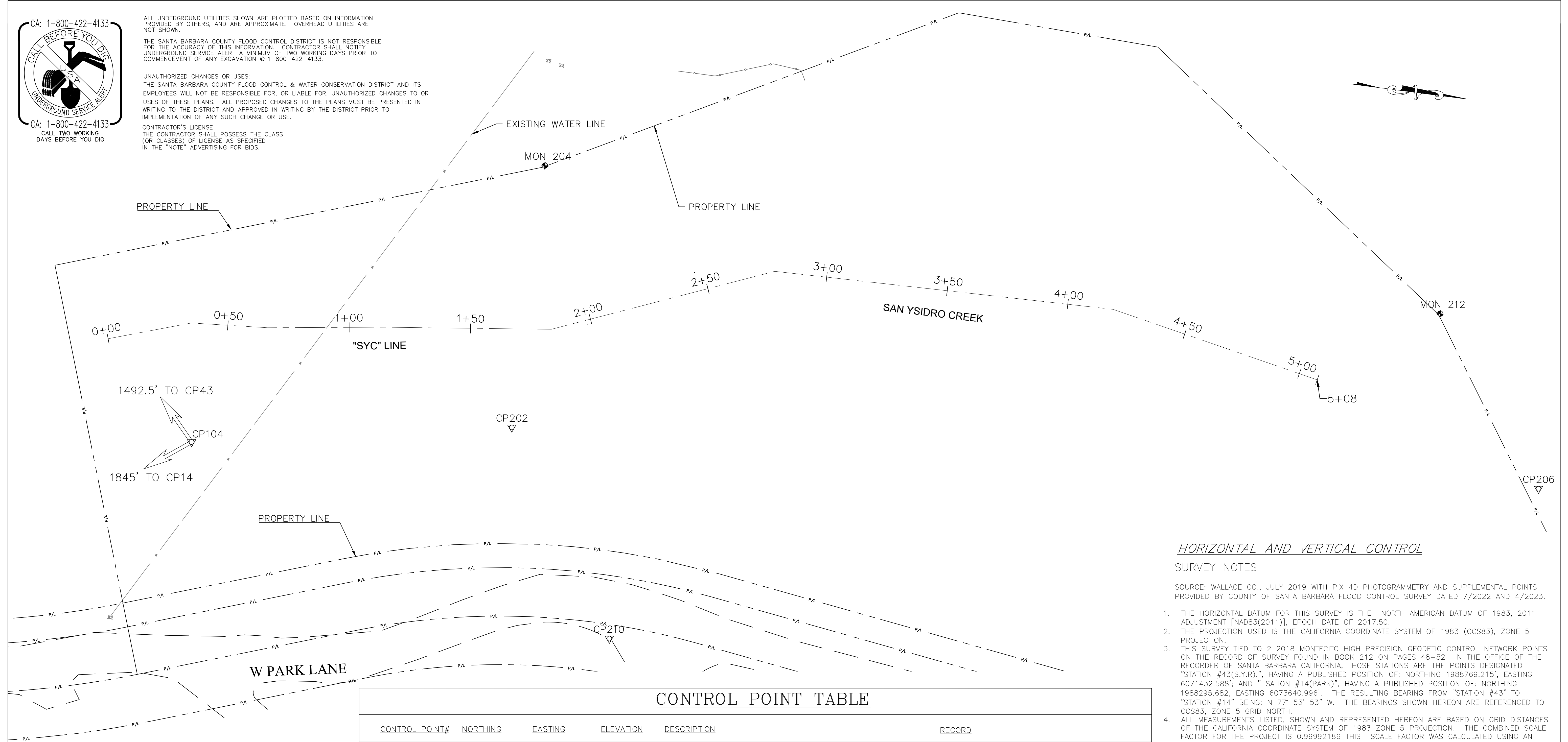


ALL UNDERGROUND UTILITIES SHOWN ARE PLOTTED BASED ON INFORMATION PROVIDED BY OTHERS, AND ARE APPROXIMATE. OVERHEAD UTILITIES ARE NOT SHOWN.

THE SANTA BARBARA COUNTY FLOOD CONTROL DISTRICT IS NOT RESPONSIBLE FOR THE ACCURACY OF THIS INFORMATION. CONTRACTOR SHALL NOTIFY UNDERGROUND SERVICE ALERT A MINIMUM OF TWO WORKING DAYS PRIOR TO COMMENCEMENT OF ANY EXCAVATION @ 1-800-422-4133.

UNAUTHORIZED CHANGES OR USES:
THE SANTA BARBARA COUNTY FLOOD CONTROL & WATER CONSERVATION DISTRICT AND ITS EMPLOYEES WILL NOT BE RESPONSIBLE FOR, OR LIABLE FOR, UNAUTHORIZED CHANGES TO OR USES OF THESE PLANS. ALL PROPOSED CHANGES TO THE PLANS MUST BE PRESENTED IN WRITING TO THE DISTRICT AND APPROVED IN WRITING BY THE DISTRICT PRIOR TO IMPLEMENTATION OF ANY SUCH CHANGE OR USE.

CONTRACTOR'S LICENSE
THE CONTRACTOR SHALL POSSESS THE CLASS (OR CLASSES) OF LICENSE AS SPECIFIED IN THE "NOTE" ADVERTISING FOR BIDS.



HORIZONTAL AND VERTICAL CONTROL

SURVEY NOTES

SOURCE: WALLACE CO., JULY 2019 WITH PIX 4D PHOTOGRAMMETRY AND SUPPLEMENTAL POINTS PROVIDED BY COUNTY OF SANTA BARBARA FLOOD CONTROL SURVEY DATED 7/2022 AND 4/2023.

1. THE HORIZONTAL DATUM FOR THIS SURVEY IS THE NORTH AMERICAN DATUM OF 1983, 2011 ADJUSTMENT [NAD83(2011)], EPOCH DATE OF 2017.50.
2. THE PROJECTION USED IS THE CALIFORNIA COORDINATE SYSTEM OF 1983 (CCS83), ZONE 5 PROJECTION.
3. THIS SURVEY TIED TO 2 2018 MONTECITO HIGH PRECISION GEODETIC CONTROL NETWORK POINTS ON THE RECORD OF SURVEY FOUND IN BOOK 212 ON PAGES 48-52 IN THE OFFICE OF THE RECORDER OF SANTA BARBARA CALIFORNIA, THOSE STATIONS ARE THE POINTS DESIGNATED "STATION #43(S.Y.R.)", HAVING A PUBLISHED POSITION OF: NORTHING 1988769.215', EASTING 6071432.588'; AND "STATION #14(PARK)", HAVING A PUBLISHED POSITION OF: NORTHING 1988295.682, EASTING 6073640.996'. THE RESULTING BEARING FROM "STATION #43" TO "STATION #14" BEING: N 77° 53' 53" W. THE BEARINGS SHOWN HEREON ARE REFERENCED TO CCS83, ZONE 5 GRID NORTH.
4. ALL MEASUREMENTS LISTED, SHOWN AND REPRESENTED HEREON ARE BASED ON GRID DISTANCES OF THE CALIFORNIA COORDINATE SYSTEM OF 1983 ZONE 5 PROJECTION. THE COMBINED SCALE FACTOR FOR THE PROJECT IS 0.99992186 THIS SCALE FACTOR WAS CALCULATED USING AN ELEVATION OF 414.676' FEET FOR STATION #43. DIVIDE THE DISTANCES HEREON BY THE COMBINED SCALE FACTOR TO OBTAIN GROUND DISTANCES. ALL DISTANCES SHOWN ARE U.S. SURVEY FEET
5. THE CONVERGENCE ANGLE IS: -0°55'36.89" AT STATION #43.
6. THE ORTHOMETRIC HEIGHTS (ELEVATIONS) ARE BASED ON THE NORTH AMERICAN VERTICAL DATUM OF 1988 (NAVD88). THIS SURVEY TIED TO THE POINT DESIGNATED AS STATION #43 ON THE RECORD OF SURVEY FOUND IN BOOK 212 ON PAGES 48-52 IN THE OFFICE OF THE RECORDER OF SANTA BARBARA CALIFORNIA, HAVING A PUBLISHED ELEVATION OF 414.676'.
7. THE CONTOUR INTERVAL IS 1 FOOT.
8. UNDERGROUND UTILITY LOCATIONS ARE PLOTTED BASED ON ABOVE GROUND PAINT MARKS BY OTHERS, ABOVE GROUND SURFACE STRUCTURES, ACTUAL LOCATION MAY DIFFER. ADDITIONAL UNDERGROUND UTILITY LINES MAY EXIST. FOR INFORMATION REGARDING UTILITY LOCATION, SIZE, DEPTH, CONDITION, AND CAPACITY CONTACT UTILITY OR MUNICIPAL/PUBLIC SERVICE FACILITY.
9. UNDERGROUND PIPE SIZES ARE BASED ON VISUAL OBSERVATIONS MADE FROM THE SURFACE AND ARE APPROXIMATE.
10. EASEMENTS AFFECTING THE PROPERTY SHOWN HEREON MAY EXIST. NO TITLE INFORMATION WAS PROVIDED. NO ATTEMPT HAS BEEN MADE TO PLOT EASEMENTS.

CONTROL POINT TABLE

CONTROL_POINT#	NORTHING	EASTING	ELEVATION	DESCRIPTION	RECORD
CP202	1989903.6	6072513.2	551.44	SET REBAR & PLASTIC CAP "WALLACE"	WALLACE BASIN CONTROL SAN YSIDRO BASIN
CP210	1989954.91	6072594.21	553.86**	FOUND MAG NAIL IN AC	WALLACE BASIN CONTROL SAN YSIDRO BASIN
CP104	1989773.57	6072536.59	532.35	SET REBAR & PLASTIC CAP "WALLACE"	WALLACE BASIN CONTROL SAN YSIDRO BASIN
CP206	1990326.38	6072482.49	575.82	SET REBAR & PLASTIC CAP "WALLACE"	WALLACE BASIN CONTROL SAN YSIDRO BASIN
MON204	1989902.89	6072404.39	556.42**	FOUND 3.5" BRASS CAP SBCO FC	RS BK 81 PG 23
CP14	1988295.68	6073640.99	417.85	FOUND ALUM CAP IN ROCK "MONT CONTROL NETWORK"	RS BK 212 PG 48
CP43	1988769.22	6071432.59	414.68	FOUND ALUM CAP IN ROCK "MONT CONTROL NETWORK"	RS BK 212 PG 48
MON212	1990276.72	6072416.3	575.2**	FOUND 3.5" BRASS CAP SBCO FC	RS BK 81 PG 23
			**	NOTE: ELEVATIONS ESTABLISHED FROM FLOOD CONTROL TOPO	

PLAN
SCALE: 1" = 20'

FOR
INFORMATION
ONLY

REVISIONS			
NO.	DESCRIPTION	DATE	APR

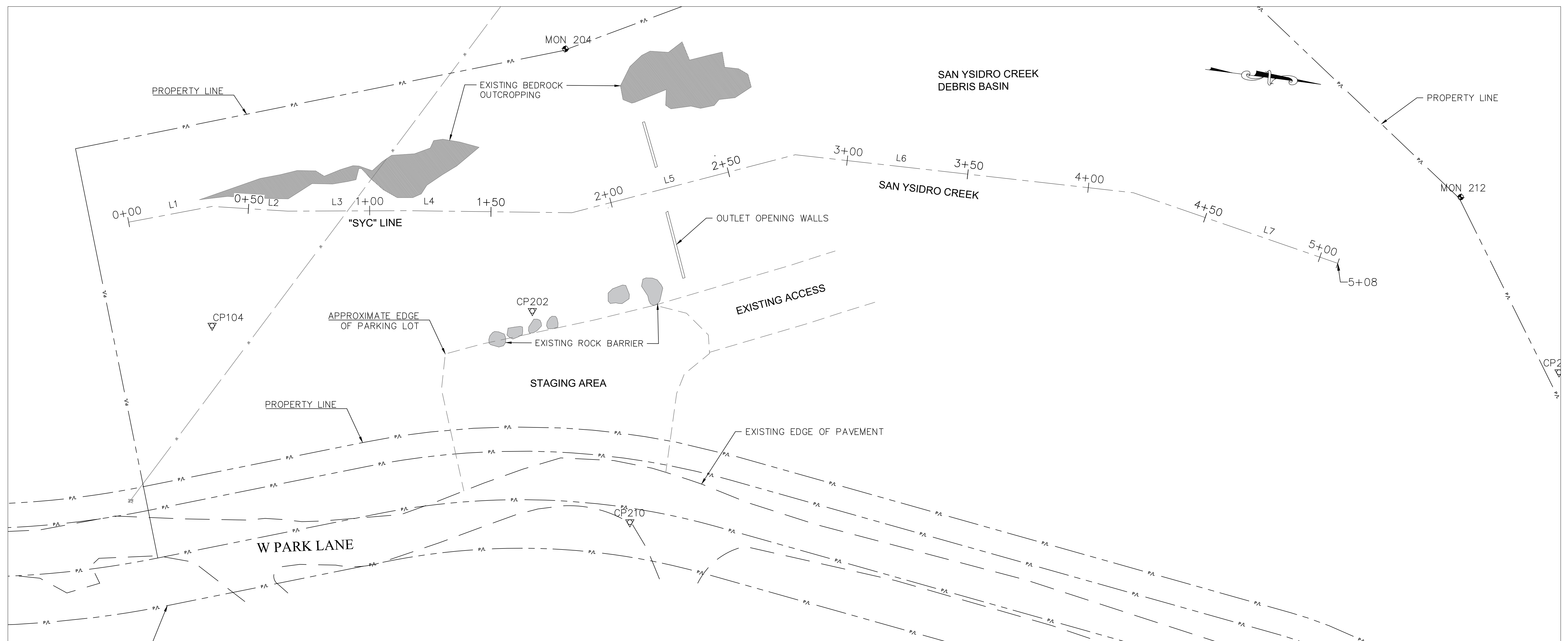
SANTA BARBARA COUNTY
FLOOD CONTROL AND
WATER CONSERVATION DISTRICT
130 E. VICTORIA STREET
SANTA BARBARA, CA 93101
(805) 568-3440



SAN YSIDRO DEBRIS
BASIN IMPROVEMENT PROJECT
AREA OF MONTECITO
SANTA BARBARA COUNTY, CALIFORNIA

SURVEY
INFORMATION

DESIGNED BY: LB	O-1157
DRAWN BY: CF	
CHECKED BY: HBL	SHEET 3 OF 18
Filename: San Ysidro DB Plans.DWG	



PLAN
SCALE: 1" = 20'

SAN YSIDRO CREEK LINE (SYC)						
SEGMENT ID	NORTHING	EASTING	START STATION	LENGTH	END STATION	DIRECTION/Delta
L1	1989733.85	6072498.87	0+00.00	34.98	0+34.98	N18°15'30"W
L2	1989767.07	6072487.91	0+34.98	31.30	0+66.28	N3°59'36"W
L3	1989798.30	6072485.73	0+66.28	48.73	1+15.01	N7°48'15"W
L4	1989846.57	6072479.11	1+15.01	68.33	1+83.34	N6°51'39"W
L5	1989914.41	6072470.95	1+83.34	95.14	2+78.48	N22°07'04"W
L6	1990002.55	6072435.13	2+78.48	140.28	4+18.76	N1°09'23"W
L7	1990142.81	6072432.30	4+18.76	89.04	5+07.80	N11°29'06"E



ALL UNDERGROUND UTILITIES SHOWN ARE PLOTTED BASED ON INFORMATION PROVIDED BY OTHERS, AND ARE APPROXIMATE. OVERHEAD UTILITIES ARE NOT SHOWN.
 THE SANTA BARBARA COUNTY FLOOD CONTROL DISTRICT IS NOT RESPONSIBLE FOR THE ACCURACY OF THIS INFORMATION. CONTRACTOR SHALL NOTIFY UNDERGROUND SERVICE ALERT A MINIMUM OF TWO WORKING DAYS PRIOR TO COMMENCEMENT OF ANY EXCAVATION @ 1-800-422-4133.

UNAUTHORIZED CHANGES OR USES:
 THE SANTA BARBARA COUNTY FLOOD CONTROL & WATER CONSERVATION DISTRICT AND ITS EMPLOYEES WILL NOT BE RESPONSIBLE FOR, OR LIABLE FOR, UNAUTHORIZED CHANGES TO OR USES OF THESE PLANS. ALL PROPOSED CHANGES TO THE PLANS MUST BE PRESENTED IN WRITING TO THE DISTRICT AND APPROVED IN WRITING BY THE DISTRICT PRIOR TO IMPLEMENTATION OF ANY SUCH CHANGE OR USE.
 CONTRACTOR'S LICENSE:
 THE CONTRACTOR SHALL POSSESS THE CLASS (OR CLASSES) OF LICENSE AS SPECIFIED IN THE "NOTE" ADVERTISING FOR BIDS.

REVISIONS			
NO.	DESCRIPTION	DATE	APR



DESIGNED BY: *Lesley Brooks* 02/12/2024
 WRECO DATE

SANTA BARBARA COUNTY
 FLOOD CONTROL AND
 WATER CONSERVATION DISTRICT
 130 E. VICTORIA STREET
 SANTA BARBARA, CA 93101
 (805) 568-3440



**SAN YSIDRO DEBRIS
 BASIN IMPROVEMENT PROJECT**
 AREA OF MONTECITO
 SANTA BARBARA COUNTY, CALIFORNIA

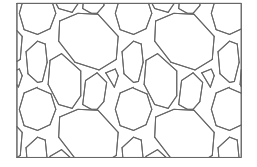
**KEYLINE
 GEOMETRY**

DESIGNED BY:
 LB
 DRAWN BY:
 CF
 CHECKED BY:
 HBL

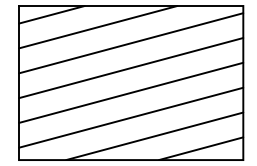
O-1157

SHEET 4 OF 18
 Filename: San Ysidro DB Plans.DWG

LEGEND:



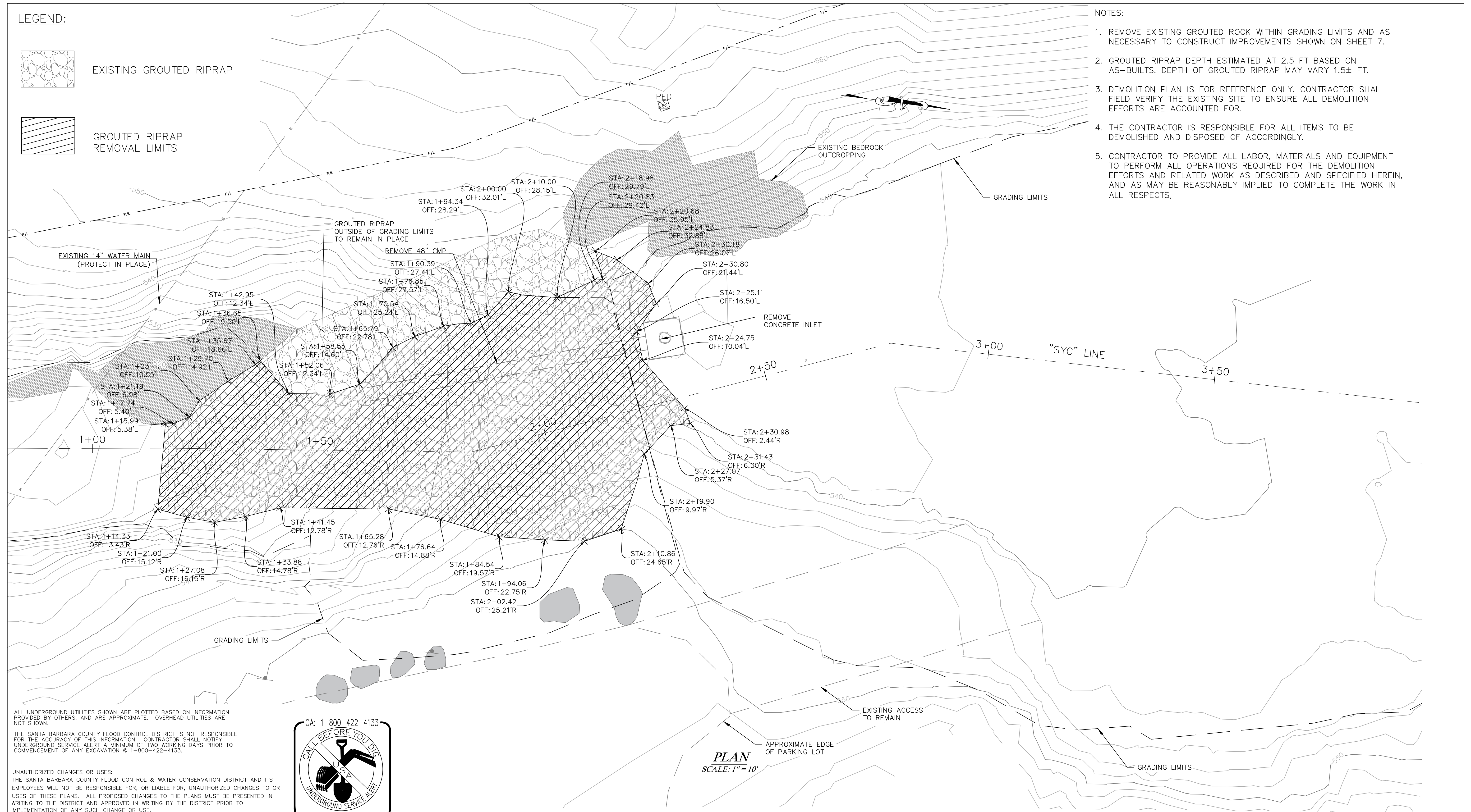
EXISTING GROUDED RIPRAP



GROUDED RIPRAP REMOVAL LIMITS

NOTES:

1. REMOVE EXISTING GROUDED ROCK WITHIN GRADING LIMITS AND AS NECESSARY TO CONSTRUCT IMPROVEMENTS SHOWN ON SHEET 7.
2. GROUDED RIPRAP DEPTH ESTIMATED AT 2.5 FT BASED ON AS-BUILTS. DEPTH OF GROUDED RIPRAP MAY VARY 1.5± FT.
3. DEMOLITION PLAN IS FOR REFERENCE ONLY. CONTRACTOR SHALL FIELD VERIFY THE EXISTING SITE TO ENSURE ALL DEMOLITION EFFORTS ARE ACCOUNTED FOR.
4. THE CONTRACTOR IS RESPONSIBLE FOR ALL ITEMS TO BE DEMOLISHED AND DISPOSED OF ACCORDINGLY.
5. CONTRACTOR TO PROVIDE ALL LABOR, MATERIALS AND EQUIPMENT TO PERFORM ALL OPERATIONS REQUIRED FOR THE DEMOLITION EFFORTS AND RELATED WORK AS DESCRIBED AND SPECIFIED HEREIN, AND AS MAY BE REASONABLY IMPLIED TO COMPLETE THE WORK IN ALL RESPECTS.



ALL UNDERGROUND UTILITIES SHOWN ARE PLOTTED BASED ON INFORMATION PROVIDED BY OTHERS, AND ARE APPROXIMATE. OVERHEAD UTILITIES ARE NOT SHOWN.

THE SANTA BARBARA COUNTY FLOOD CONTROL DISTRICT IS NOT RESPONSIBLE FOR THE ACCURACY OF THIS INFORMATION. CONTRACTOR SHALL NOTIFY UNDERGROUND SERVICE ALERT A MINIMUM OF TWO WORKING DAYS PRIOR TO COMMENCEMENT OF ANY EXCAVATION @ 1-800-422-4133.

UNAUTHORIZED CHANGES OR USES:
THE SANTA BARBARA COUNTY FLOOD CONTROL & WATER CONSERVATION DISTRICT AND ITS EMPLOYEES WILL NOT BE RESPONSIBLE FOR, OR LIABLE FOR, UNAUTHORIZED CHANGES TO OR USES OF THESE PLANS. ALL PROPOSED CHANGES TO THE PLANS MUST BE PRESENTED IN WRITING TO THE DISTRICT AND APPROVED IN WRITING BY THE DISTRICT PRIOR TO IMPLEMENTATION OF ANY SUCH CHANGE OR USE.

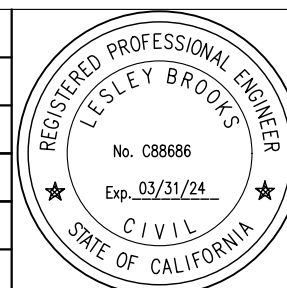
CONTRACTOR'S LICENSE
THE CONTRACTOR SHALL POSSESS THE CLASS (OR CLASSES) OF LICENSE AS SPECIFIED IN THE "NOTICE" ADVERTISING FOR BIDS



CA: 1-800-422-4133
CALL TWO WORKING DAYS BEFORE YOU DIG

PLAN
SCALE: 1" = 10'

REVISIONS			
NO.	DESCRIPTION	DATE	APR



DESIGNED BY: *Lesley Brooks* 02/12/2024
WRECO DATE

SANTA BARBARA COUNTY
FLOOD CONTROL AND
WATER CONSERVATION DISTRICT
130 E. VICTORIA STREET
SANTA BARBARA, CA 93101
(805) 568-3440



SAN YSIDRO DEBRIS
BASIN IMPROVEMENT PROJECT
AREA OF MONTECITO
SANTA BARBARA COUNTY, CALIFORNIA

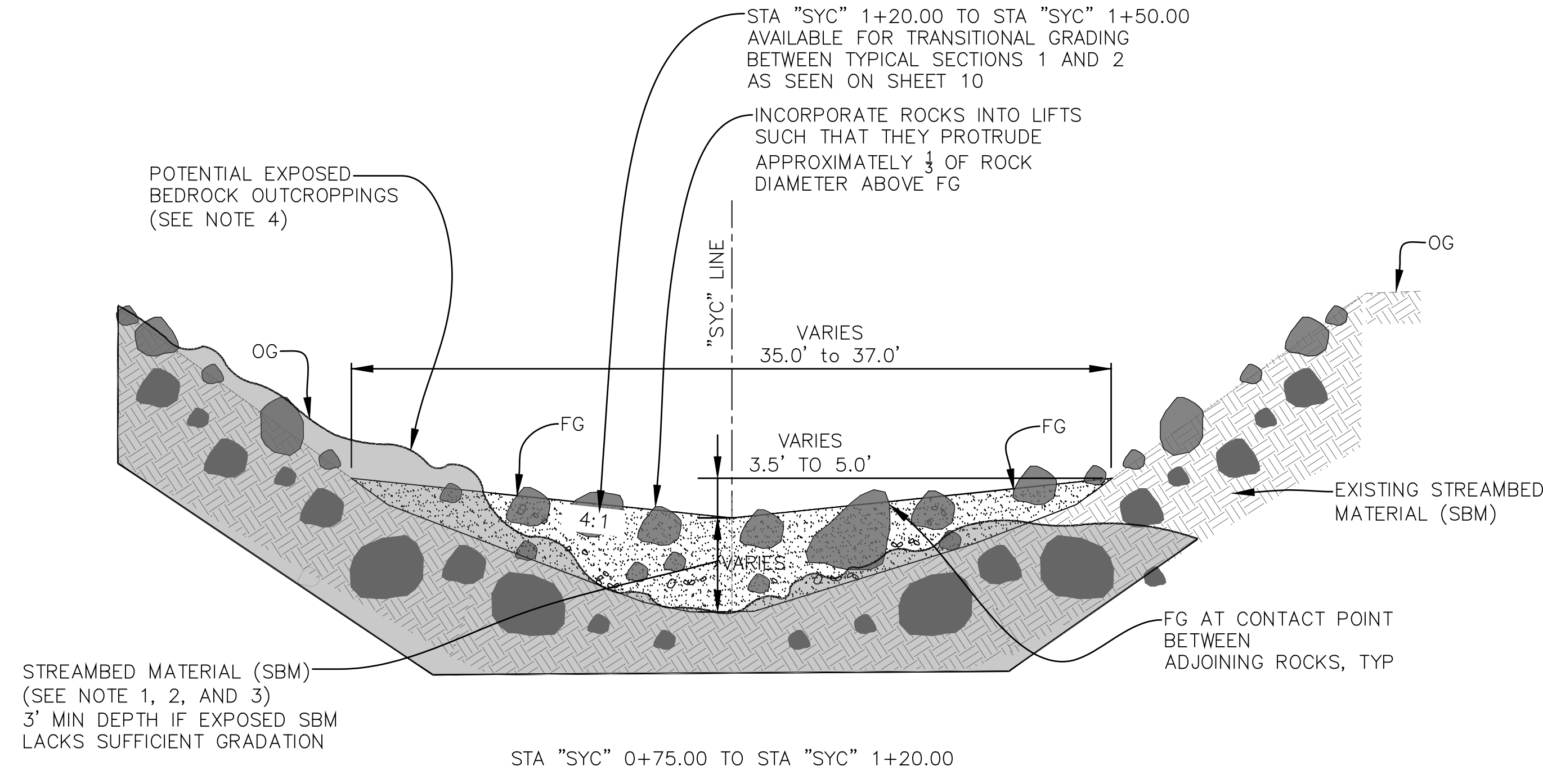
**DEMOLITION
PLAN**

DESIGNED BY:
LB
DRAWN BY:
CF
CHECKED BY:
HBL

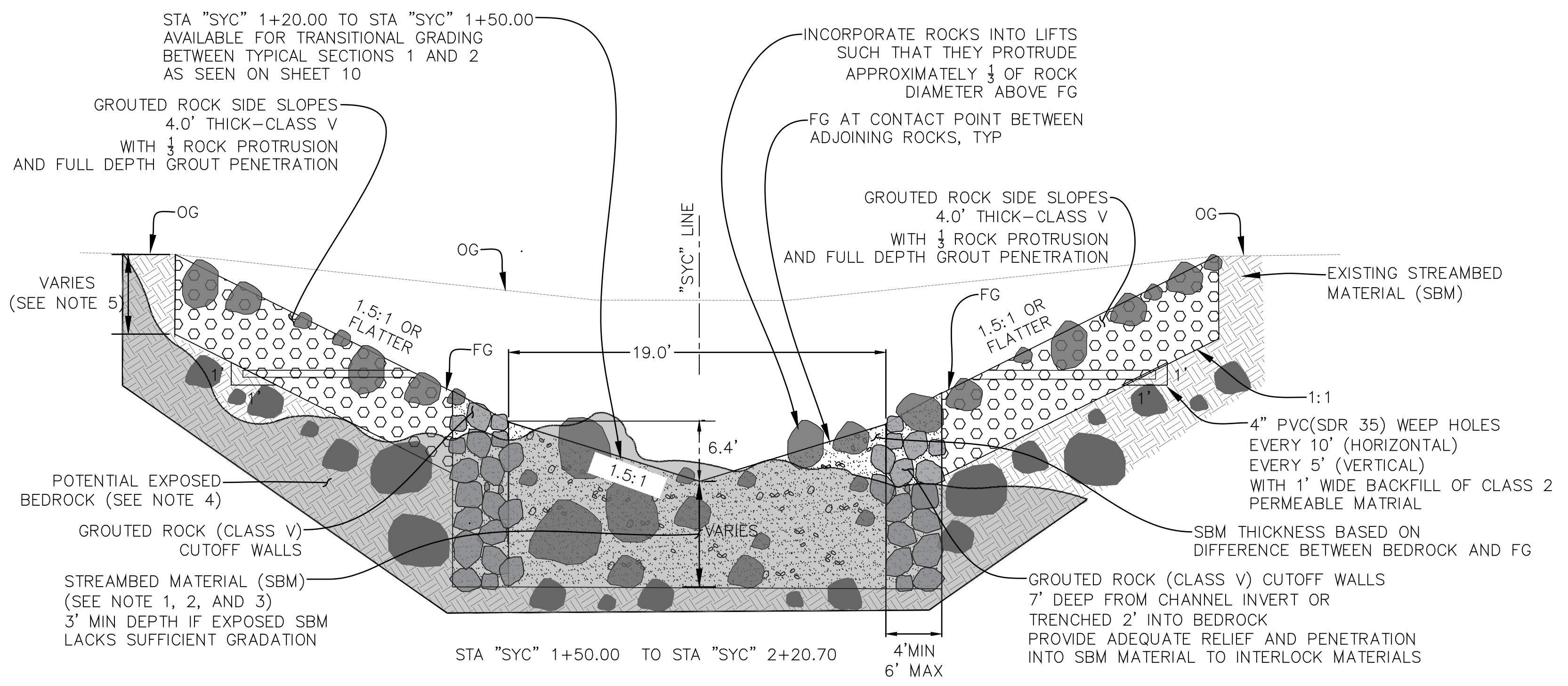
O-1157

SHEET 5 OF 18

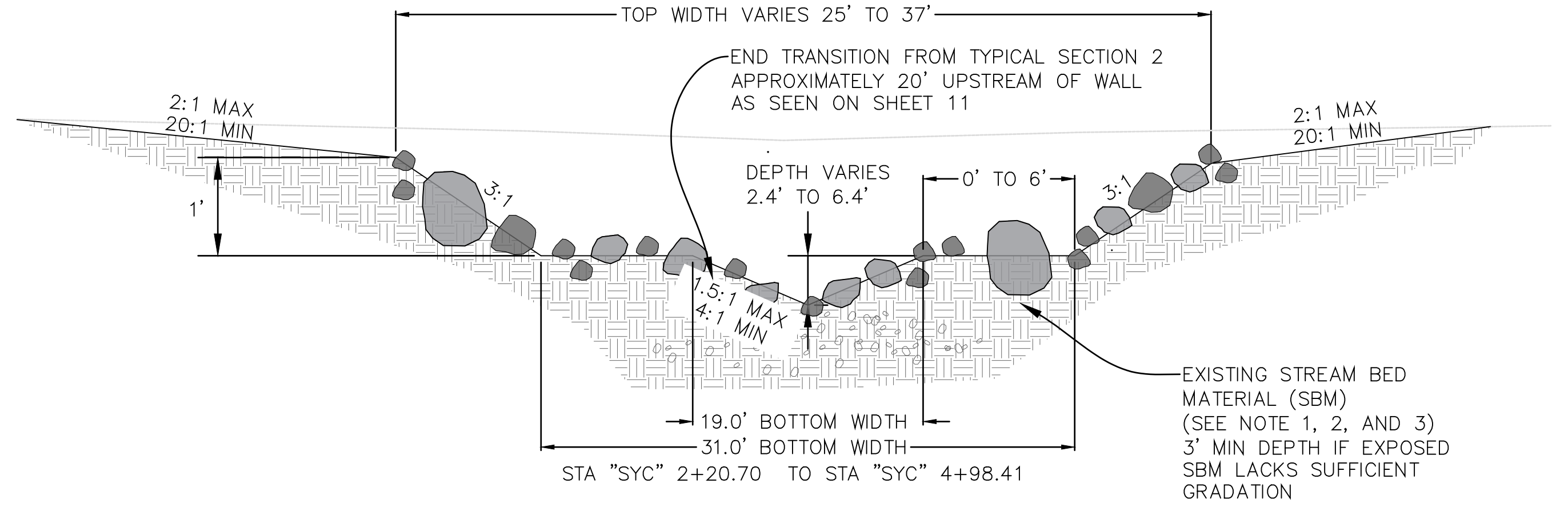
Filename: San Ysidro DB Plans.DWG



A CHANNEL TYPICAL SECTION 1 (DOWNSTREAM OF GROUDED ROCK SIDE SLOPES)
NOT TO SCALE



B CHANNEL TYPICAL SECTION 2 (BETWEEN GROUDED ROCK SIDE SLOPES)
NOT TO SCALE



C CHANNEL TYPICAL SECTION 3 (UPSTREAM OF THE WALL)
NOT TO SCALE

NOTES:

- STREAMBED MATERIAL AND BEDROCK:
- DEPTH OF SBM VARIES AND WILL BE DETERMINED BY THE DIFFERENCE BETWEEN OG AND FG FLOWLINE ELEVATIONS AND EXPOSED BEDROCK ELEVATIONS. SEE SBM ROCK PLACEMENT DETAIL FOR ADDITIONAL INFORMATION ON SBM GRADATIONS.
 - AT LOCATIONS WHERE FG IS LOWER THAN OG, EXISTING EXPOSED STREAMBED MATERIAL TO BE EVALUATED IN THE FIELD FOR SUFFICIENT GRADATION AND ROUGHNESS BASED ON FINDINGS DURING EXCAVATION AND WITH COUNTY FIELD ENGINEER CONCURRENCE. IN AREAS WHERE EXISTING STREAMBED MATERIAL DOES NOT PROVIDE SUFFICIENT GRADATION AND ROUGHNESS, EXISTING SURFACE TO BE REPLACED IN LIFTS TO A MINIMUM DEPTH OF 3.0' WITH SORTED SBM. DEEPER REPLACEMENTS FOR 6.0' TO 8.0' ROCK WHEN BEDROCK IS LESS THAN 14% OF MATERIAL EXPOSED AT FG WILL BE FIELD DIRECTED.
 - FORCING FEATURES TO BE INCLUDED IN CHANNEL SECTIONS PER SBM ROCK PLACEMENT DETAIL.
 - SEE SBM ROCK PLACEMENT DETAIL FOR NOTES ON EXPOSED BEDROCK AND SBM.
- GROUDED ROCK SLOPE AND BEDROCK:
- AT LOCATIONS WHERE BEDROCK IS ENCOUNTERED BEFORE FULL DEPTH OF GROUDED ROCK IS ACHIEVED, BENCH AND ROUGHEN EXPOSED ROCK SURFACES THAT DIP TOWARD THE CHANNEL. FORM BENCHES AND PEAKS TO A MINIMUM HEIGHT OF 1.0' TO PROVIDE AN IRREGULAR SURFACE FOR THE ROCK TO BEAR ON, THEN CLEAR OFF LOOSE AND FRIABLE ROCK MATERIAL BEFORE PLACING AND GROUDED ROCK.
- LIFT PLACEMENT:
- USE THE FIELD MANUAL AND SBM ROCK PLACEMENT DETAIL TO VERIFY THE GRADATION OF EXISTING SBM AT FG AND FOR ADDITIONAL INSTRUCTIONS ON PLACING SBM.
 - WHEN EXISTING SBM DOES NOT PROVIDE SUFFICIENT ROUGHNESS, REPLACE MATERIAL IN ONE OR MORE LIFTS, EACH NOT EXCEEDING 1.0' IN DEPTH.
 - FILL VOIDS IN LIFTS WITH FILLER MATERIAL CONSISTING OF 2" SBM AND FINER BEFORE PLACING THE NEXT LAYER.
 - COMPACT EACH LIFT TO OBTAIN A UNIFORMLY DENSE, COMPACT, LOW-PERMEABILITY BED WITH A SURFACE MATCHING THE REFERENCE REACH ACCORDING TO THE FIELD MANUAL.
 - DISTRIBUTE ROCKS LARGER THAN THE D84 THROUGHOUT THE UPPER LIFTS TO MATCH REFERENCE REACH ACCORDING TO FIELD MANUAL.



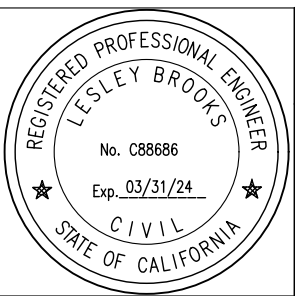
ALL UNDERGROUND UTILITIES SHOWN ARE PLOTTED BASED ON INFORMATION PROVIDED BY OTHERS, AND ARE APPROXIMATE. OVERHEAD UTILITIES ARE NOT SHOWN.

THE SANTA BARBARA COUNTY FLOOD CONTROL DISTRICT IS NOT RESPONSIBLE FOR THE ACCURACY OF THIS INFORMATION. CONTRACTOR SHALL NOTIFY UNDERGROUND SERVICE ALERT A MINIMUM OF TWO WORKING DAYS PRIOR TO COMMENCEMENT OF ANY EXCAVATION @ 1-800-422-4133.

UNAUTHORIZED CHANGES OR USES:
THE SANTA BARBARA COUNTY FLOOD CONTROL & WATER CONSERVATION DISTRICT AND ITS EMPLOYEES WILL NOT BE RESPONSIBLE FOR, OR LIABLE FOR, UNAUTHORIZED CHANGES TO OR USES OF THESE PLANS. ALL PROPOSED CHANGES TO THE PLANS MUST BE PRESENTED IN WRITING TO THE DISTRICT AND APPROVED IN WRITING BY THE DISTRICT PRIOR TO IMPLEMENTATION OF ANY SUCH CHANGE OR USE.

CONTRACTOR'S LICENSE
THE CONTRACTOR SHALL POSSESS THE CLASS (OR CLASSES) OF LICENSE AS SPECIFIED IN THE "NOTICE" ADVERTISING FOR BIDS.

REVISIONS			
NO.	DESCRIPTION	DATE	APR



DESIGNED BY: *Lesley Brooks* 02/12/2024
WRECO DATE

SANTA BARBARA COUNTY
FLOOD CONTROL AND
WATER CONSERVATION DISTRICT
130 E. VICTORIA STREET
SANTA BARBARA, CA 93101
(805) 568-3440

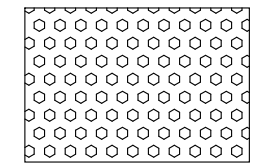
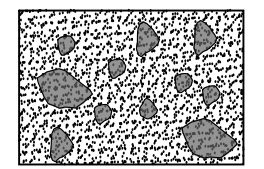
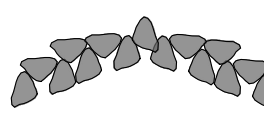


SAN YSIDRO DEBRIS
BASIN IMPROVEMENT PROJECT
AREA OF MONTECITO
SANTA BARBARA COUNTY, CALIFORNIA

TYPICAL SECTIONS

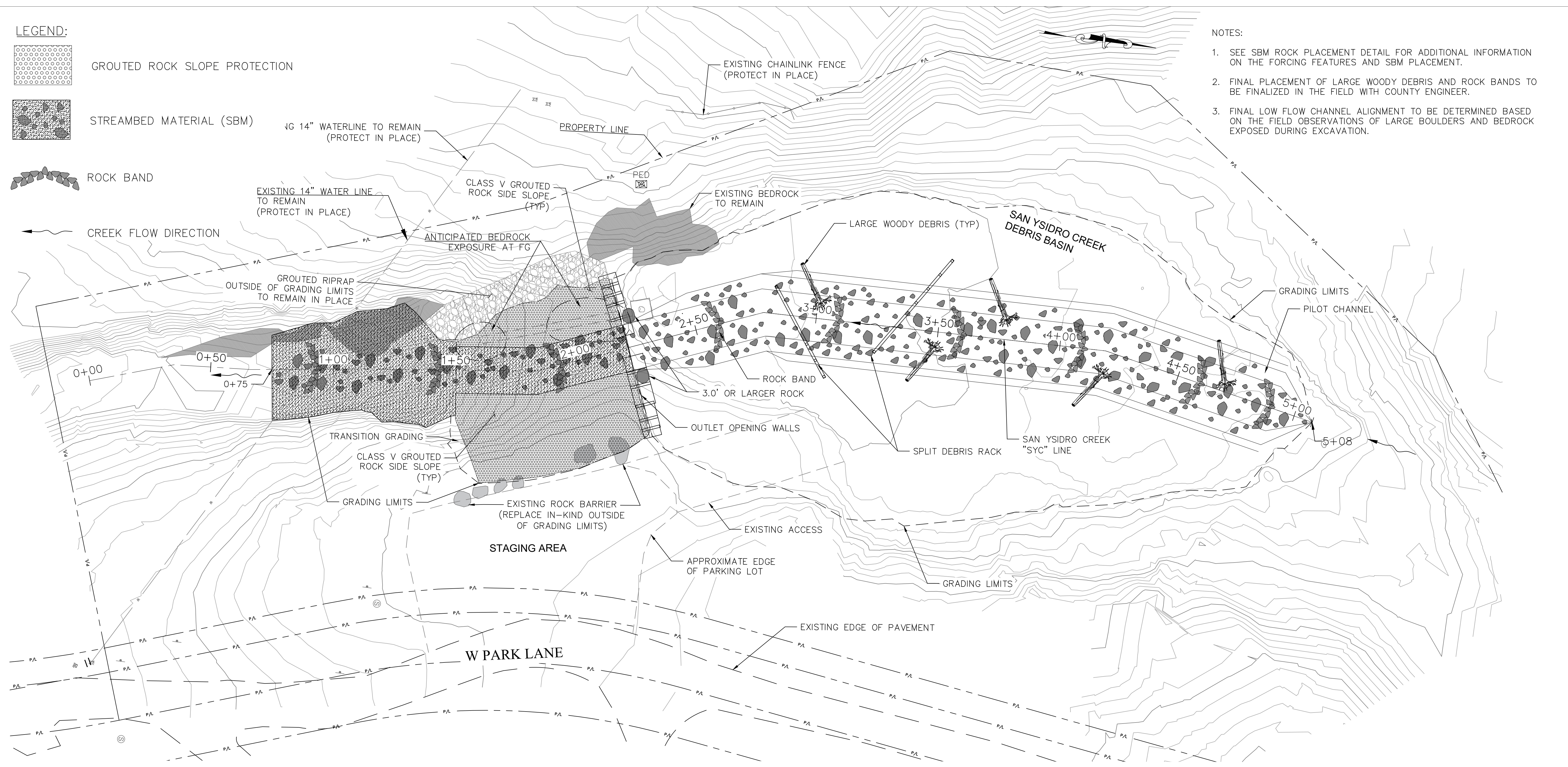
DESIGNED BY: LB	O-1157
DRAWN BY: CF	
CHECKED BY: HBL	
SHEET 6 OF 18 Filename: San Ysidro DB Plans.DWG	

LEGEND:

-  GROUDED ROCK SLOPE PROTECTION
-  STREAMBED MATERIAL (SBM)
-  ROCK BAND

NOTES:

1. SEE SBM ROCK PLACEMENT DETAIL FOR ADDITIONAL INFORMATION ON THE FORCING FEATURES AND SBM PLACEMENT.
2. FINAL PLACEMENT OF LARGE WOODY DEBRIS AND ROCK BANDS TO BE FINALIZED IN THE FIELD WITH COUNTY ENGINEER.
3. FINAL LOW FLOW CHANNEL ALIGNMENT TO BE DETERMINED BASED ON THE FIELD OBSERVATIONS OF LARGE BOULDERS AND BEDROCK EXPOSED DURING EXCAVATION.



PLAN
SCALE: 1" = 20'

UNAUTHORIZED CHANGES OR USES:
THE SANTA BARBARA COUNTY FLOOD CONTROL & WATER CONSERVATION DISTRICT AND ITS EMPLOYEES WILL NOT BE RESPONSIBLE FOR, OR LIABLE FOR, UNAUTHORIZED CHANGES TO OR USES OF THESE PLANS. ALL PROPOSED CHANGES TO THE PLANS MUST BE PRESENTED IN WRITING TO THE DISTRICT AND APPROVED IN WRITING BY THE DISTRICT PRIOR TO IMPLEMENTATION OF ANY SUCH CHANGE OR USE.

CONTRACTOR'S LICENSE
THE CONTRACTOR SHALL POSSESS THE CLASS (OR CLASSES) OF LICENSE AS SPECIFIED IN THE "NOTICE" ADVERTISING FOR BIDS

REVISIONS			
NO.	DESCRIPTION	DATE	APR



DESIGNED BY: *Lesley Brooks* 02/12/2024
DATE

SANTA BARBARA COUNTY
FLOOD CONTROL AND
WATER CONSERVATION DISTRICT
130 E. VICTORIA STREET
SANTA BARBARA, CA 93101
(805) 568-3440



**SAN YSIDRO DEBRIS
BASIN IMPROVEMENT PROJECT**

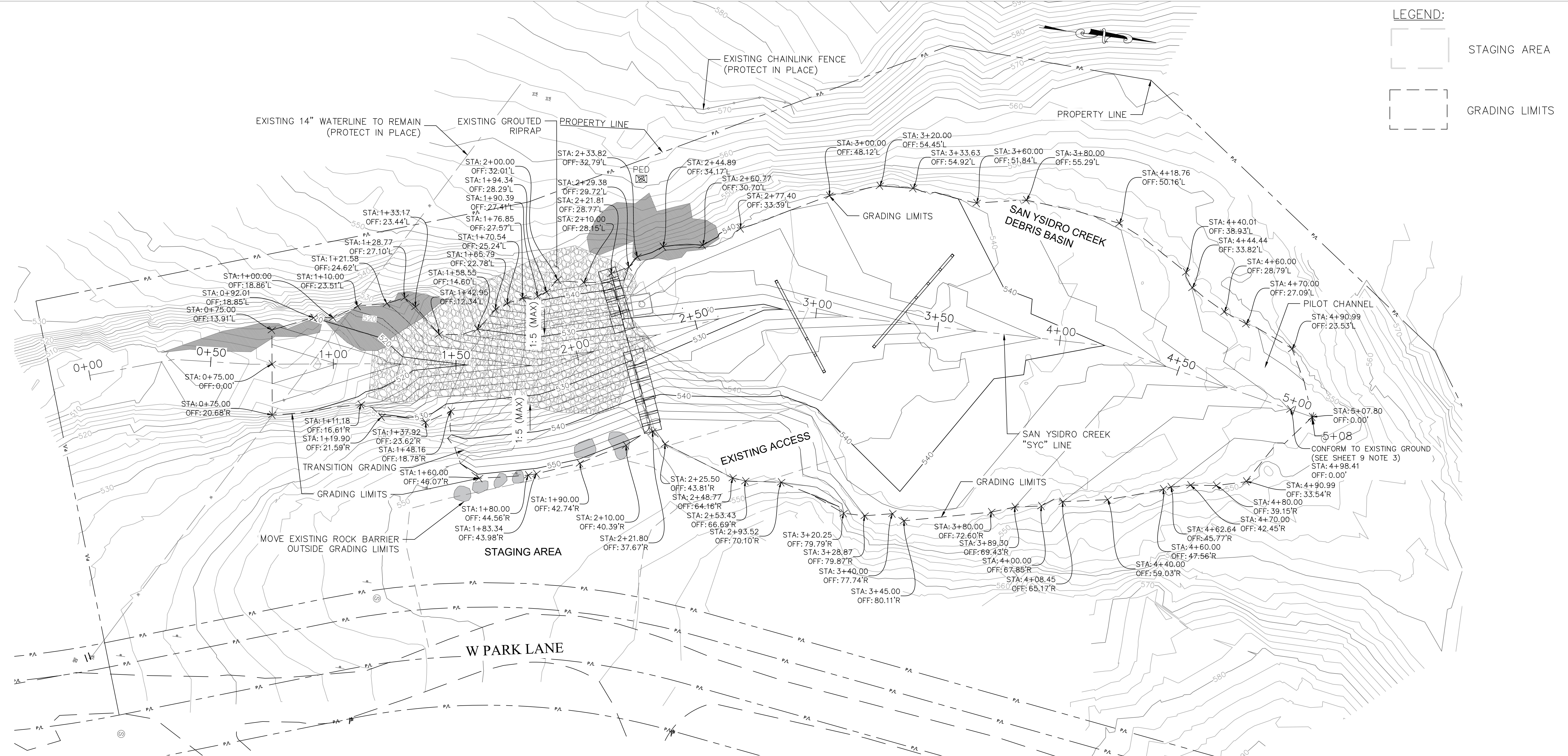
AREA OF MONTECITO
SANTA BARBARA COUNTY, CALIFORNIA

**LAYOUT
PLAN**

DESIGNED BY:
LB
DRAWN BY:
CF
CHECKED BY:
HBL

O-1157

SHEET 7 OF 18
Filename: San Ysidro DB Plans.DWG



LEGEND:

[Dashed Box] STAGING AREA

[Dotted Box] GRADING LIMITS

PLAN
SCALE: 1" = 20'

ALL UNDERGROUND UTILITIES SHOWN ARE PLOTTED BASED ON INFORMATION PROVIDED BY OTHERS, AND ARE APPROXIMATE. OVERHEAD UTILITIES ARE NOT SHOWN.

THE SANTA BARBARA COUNTY FLOOD CONTROL DISTRICT IS NOT RESPONSIBLE FOR THE ACCURACY OF THIS INFORMATION. CONTRACTOR SHALL NOTIFY UNDERGROUND SERVICE ALERT A MINIMUM OF TWO WORKING DAYS PRIOR TO COMMENCEMENT OF ANY EXCAVATION @ 1-800-422-4133.

UNAUTHORIZED CHANGES OR USES:
THE SANTA BARBARA COUNTY FLOOD CONTROL & WATER CONSERVATION DISTRICT AND ITS EMPLOYEES WILL NOT BE RESPONSIBLE FOR, OR LIABLE FOR, UNAUTHORIZED CHANGES TO OR USES OF THESE PLANS. ALL PROPOSED CHANGES TO THE PLANS MUST BE PRESENTED IN WRITING TO THE DISTRICT AND APPROVED IN WRITING BY THE DISTRICT PRIOR TO IMPLEMENTATION OF ANY SUCH CHANGE OR USE.

CONTRACTOR'S LICENSE
THE CONTRACTOR SHALL POSSESS THE CLASS (OR CLASSES) OF LICENSE AS SPECIFIED IN THE "NOTICE" ADVERTISING FOR BIDS.



DESIGNED BY: *Lady Zumbado* 02/12/2024
DATE

WRECO

SANTA BARBARA COUNTY
FLOOD CONTROL AND
WATER CONSERVATION DISTRICT
130 E. VICTORIA STREET
SANTA BARBARA, CA 93101
(805) 568-3440



**SAN YSIDRO DEBRIS
BASIN IMPROVEMENT PROJECT**

AREA OF MONTECITO
SANTA BARBARA COUNTY, CALIFORNIA

**GRADING
PLAN**

DESIGNED BY:
LB

DRAWN BY:
CF

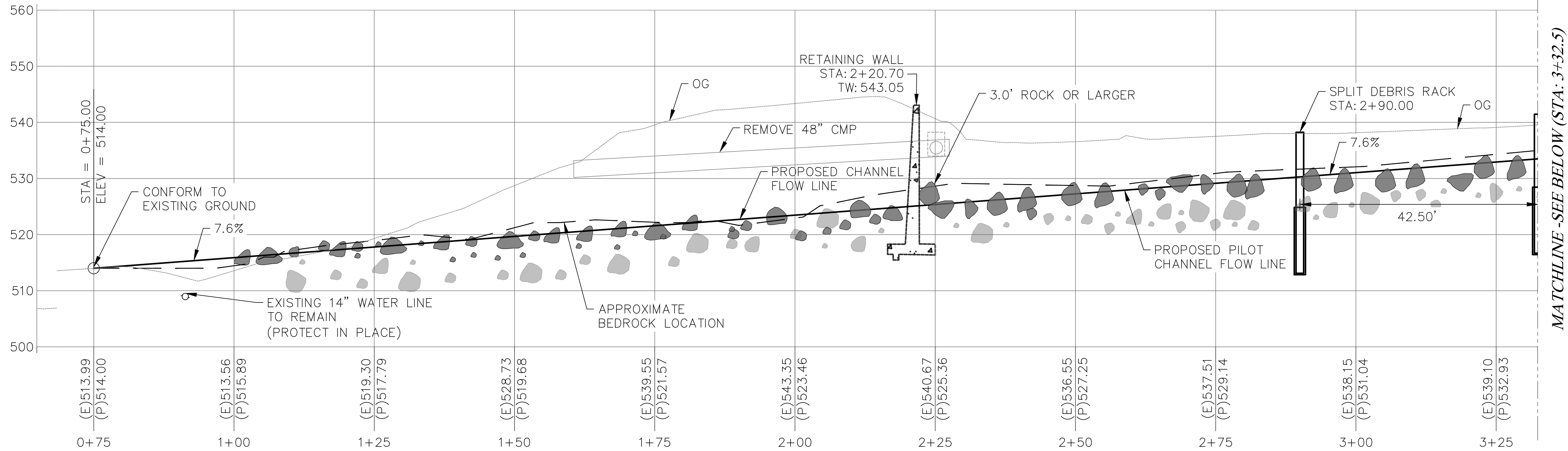
CHECKED BY:
HBL

O-1157

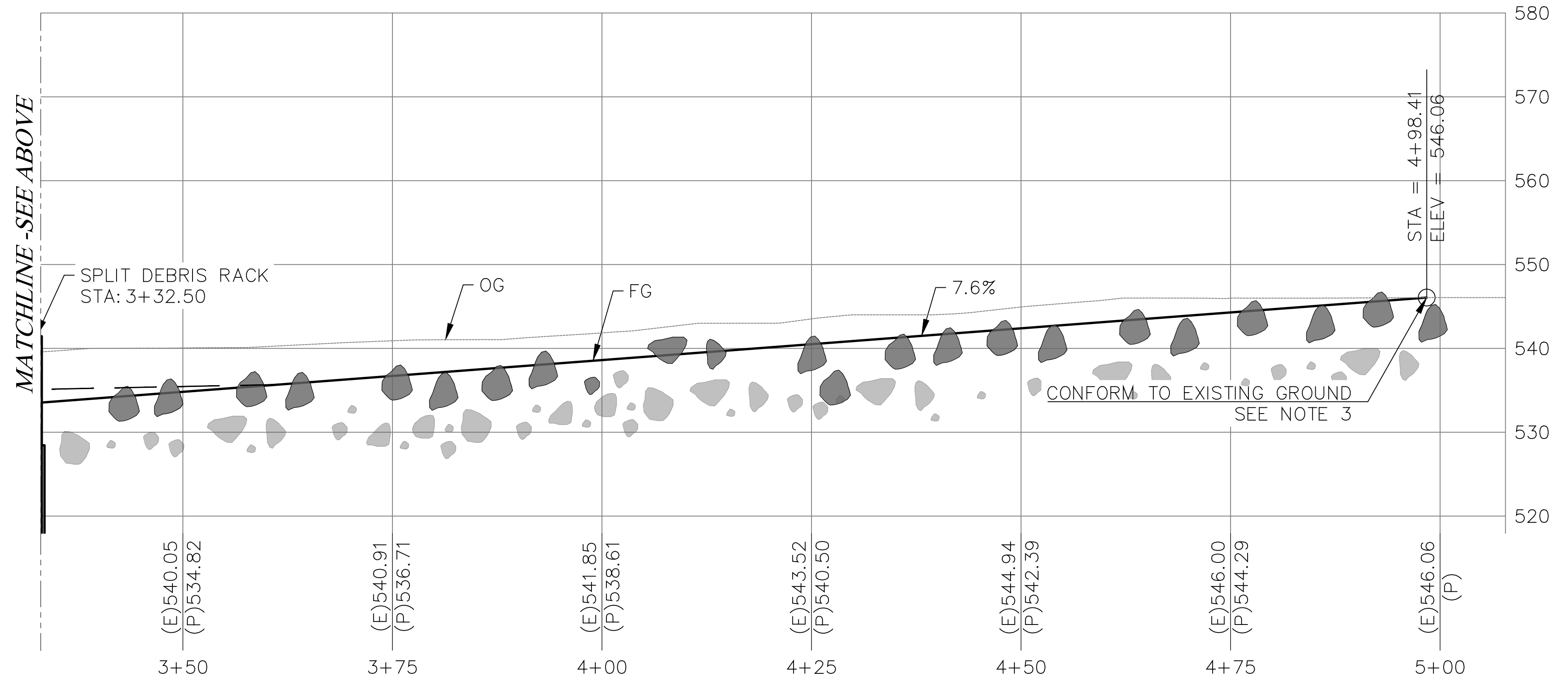
SHEET 8 OF 18
Filename: San Ysidro DB Plans.DWG

REVISIONS			
NO.	DESCRIPTION	DATE	APR





- NOTES:
1. DEPTH OF SBM VARIES AND WILL BE DETERMINED BY THE DIFFERENCE BETWEEN OG AND FG FLOWLINE ELEVATIONS AND EXPOSED BEDROCK ELEVATIONS.
 2. AT LOCATIONS WHERE FG IS LOWER THAN OG, EXISTING EXPOSED STREAMBED MATERIAL TO BE EVALUATED IN THE FIELD FOR SUFFICIENT GRADATION AND ROUGHNESS BASED ON FINDINGS DURING EXCAVATION AND WITH COUNTY FIELD ENGINEER CONCURRENCE. IN AREAS WHERE EXISTING STREAMBED MATERIAL DOES NOT PROVIDE SUFFICIENT GRADATION AND ROUGHNESS, EXISTING SURFACE TO BE REPLACED IN LIFTS TO A MINIMUM DEPTH OF 3.0' WITH SORTED SBM. DEEPER REPLACEMENTS FOR 6.0' TO 8.0' ROCK WHEN BEDROCK IS LESS THAN 14% OF MATERIAL EXPOSED AT FG WILL BE FIELD DIRECTED.
 3. ADDITIONAL CONFORM GRADING MAY BE REQUIRED BEYOND THE CONFORM POINT TO TRANSITION FROM CHANNEL TYPICAL SECTION 3 TO THE EXISTING CHANNEL SHAPE.

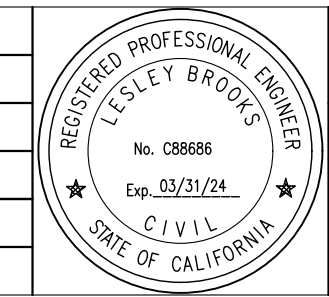


SAN YSIDRO CREEK ("SYC" LINE) PROFILE
 SCALE: 1" = 10' HORIZONTAL
 1" = 10' VERTICAL

UNAUTHORIZED CHANGES OR USES:
 THE SANTA BARBARA COUNTY FLOOD CONTROL & WATER CONSERVATION DISTRICT AND ITS EMPLOYEES WILL NOT BE RESPONSIBLE FOR, OR LIABLE FOR, UNAUTHORIZED CHANGES TO OR USES OF THESE PLANS. ALL PROPOSED CHANGES TO THE PLANS MUST BE PRESENTED IN WRITING TO THE DISTRICT AND APPROVED IN WRITING BY THE DISTRICT PRIOR TO IMPLEMENTATION OF ANY SUCH CHANGE OR USE.

CONTRACTOR'S LICENSE
 THE CONTRACTOR SHALL POSSESS THE CLASS (OR CLASSES) OF LICENSE AS SPECIFIED IN THE "NOTICE" ADVERTISING FOR BIDS.

REVISIONS			
NO.	DESCRIPTION	DATE	APR



DESIGNED BY: *Lesley Brooks* 02/12/2024
 WRECO DATE

SANTA BARBARA COUNTY
 FLOOD CONTROL AND
 WATER CONSERVATION DISTRICT
 130 E. VICTORIA STREET
 SANTA BARBARA, CA 93101
 (805) 568-3440

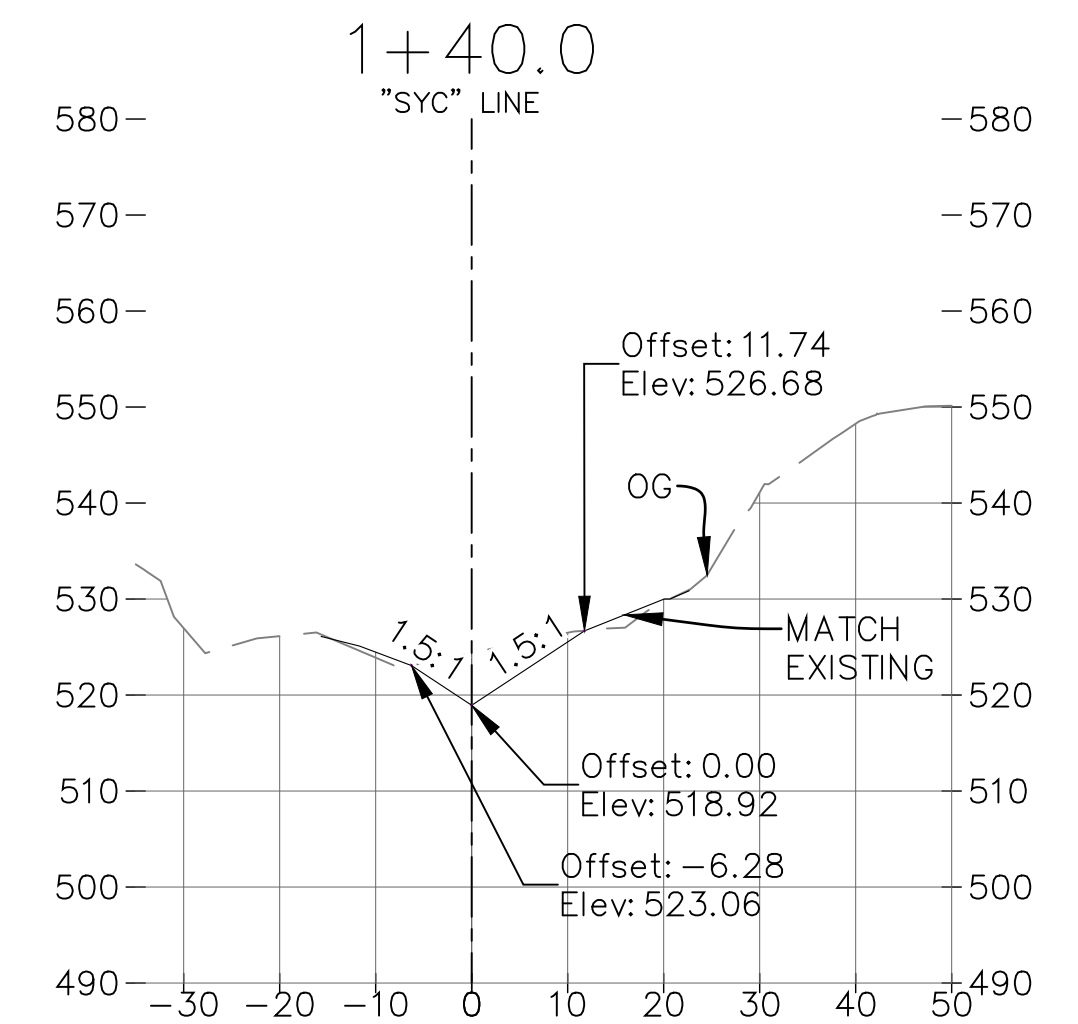
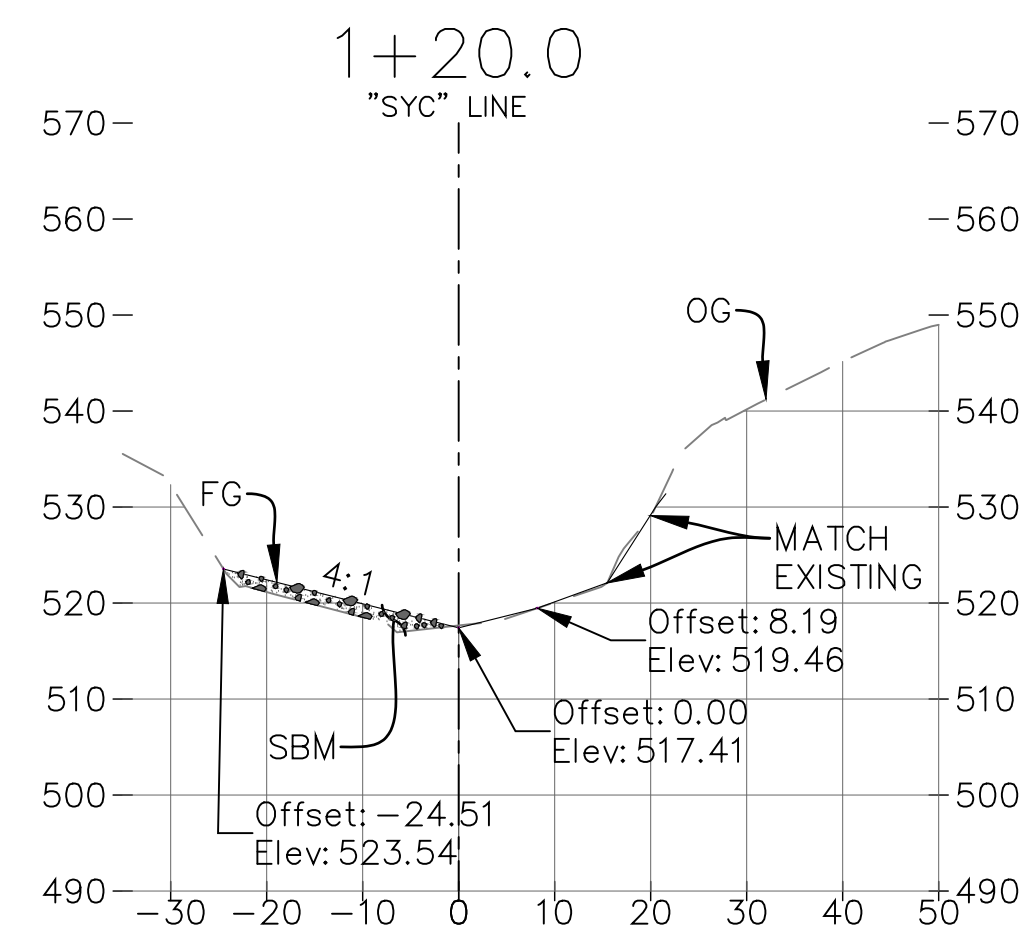
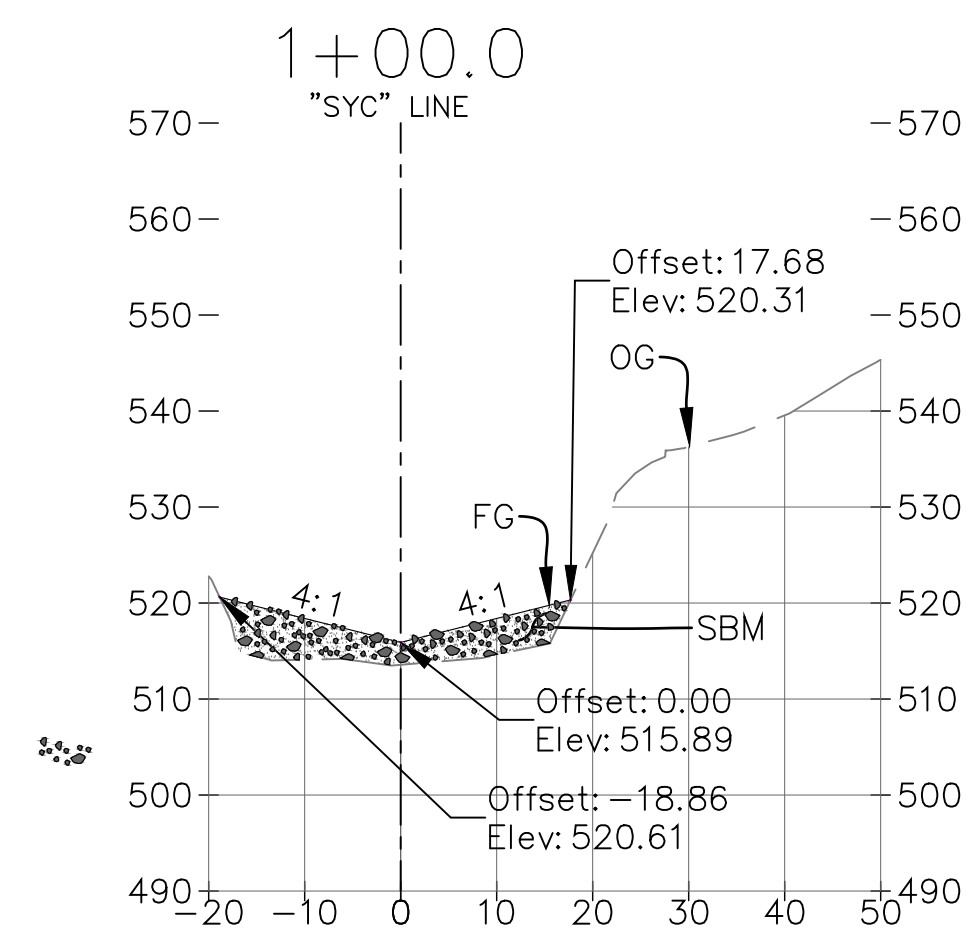
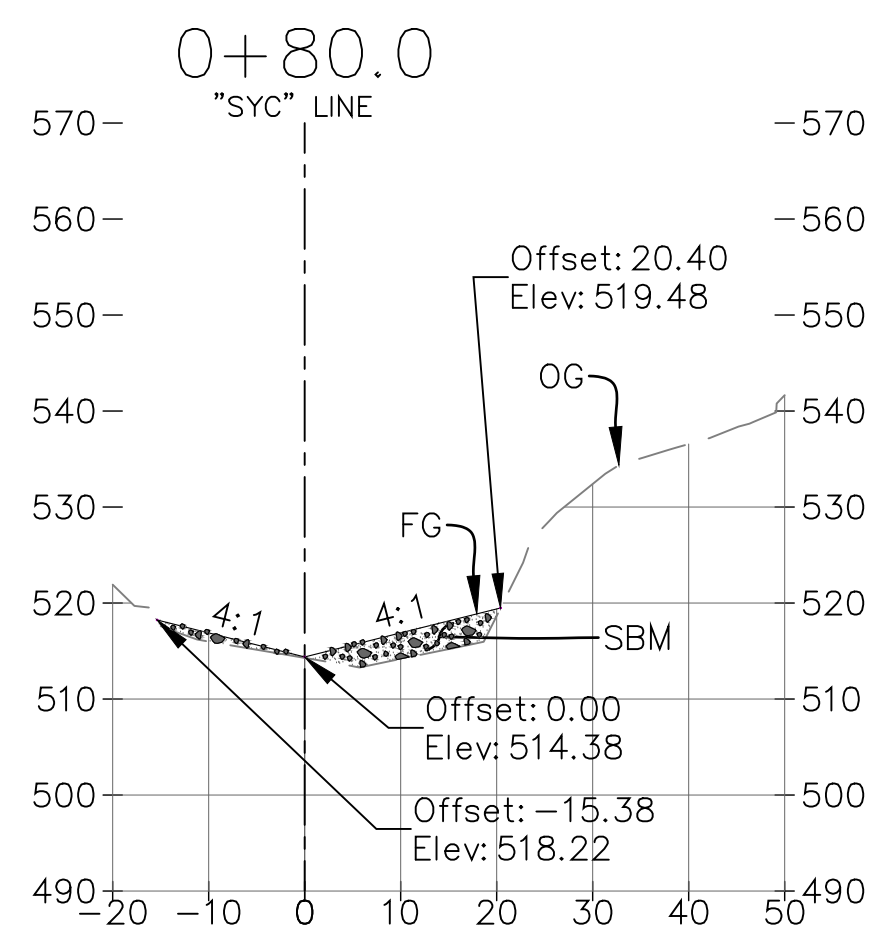
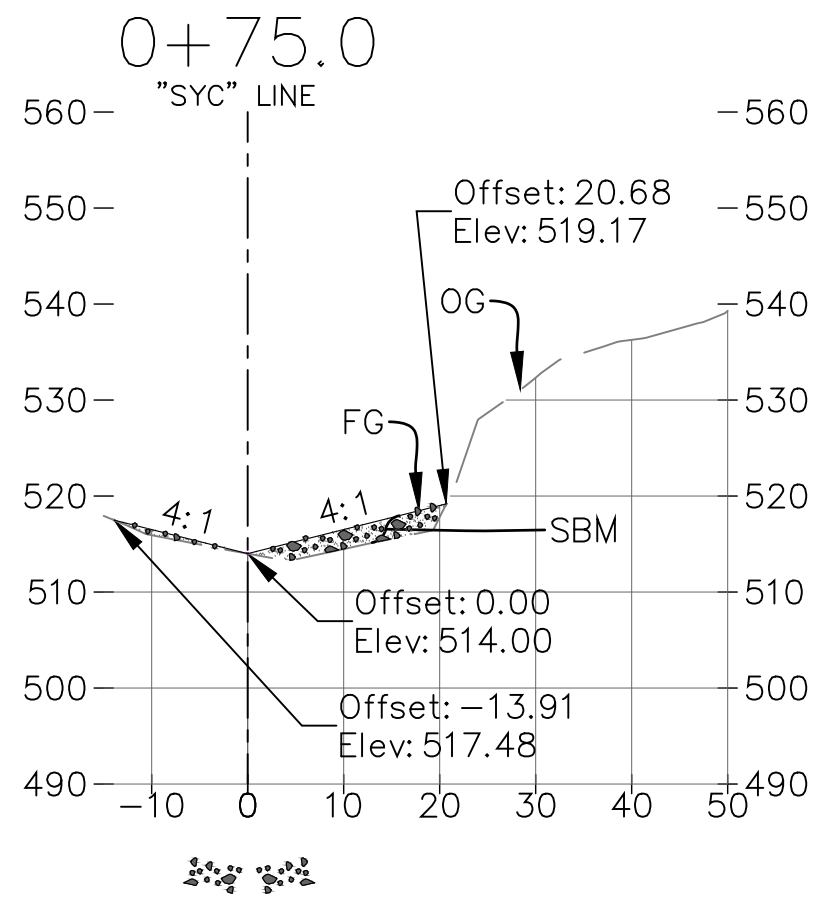
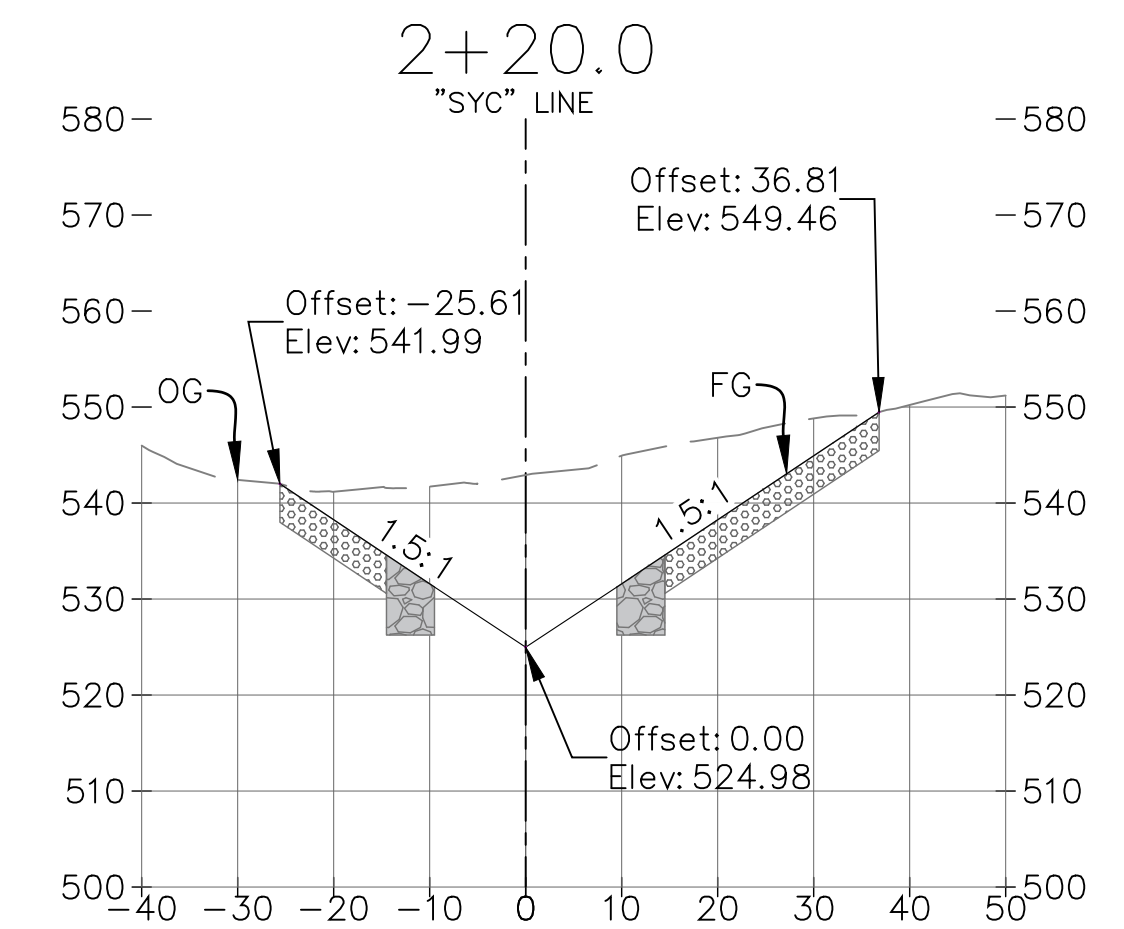
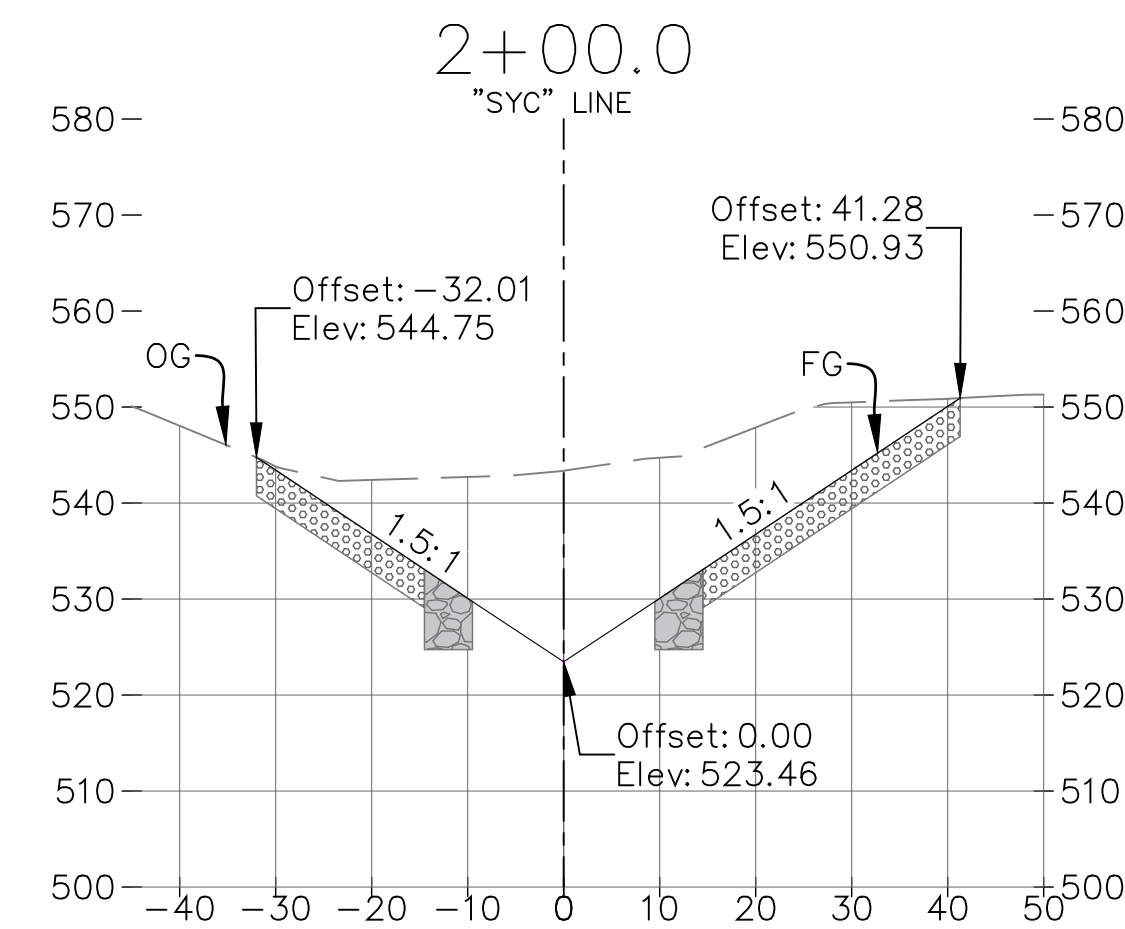
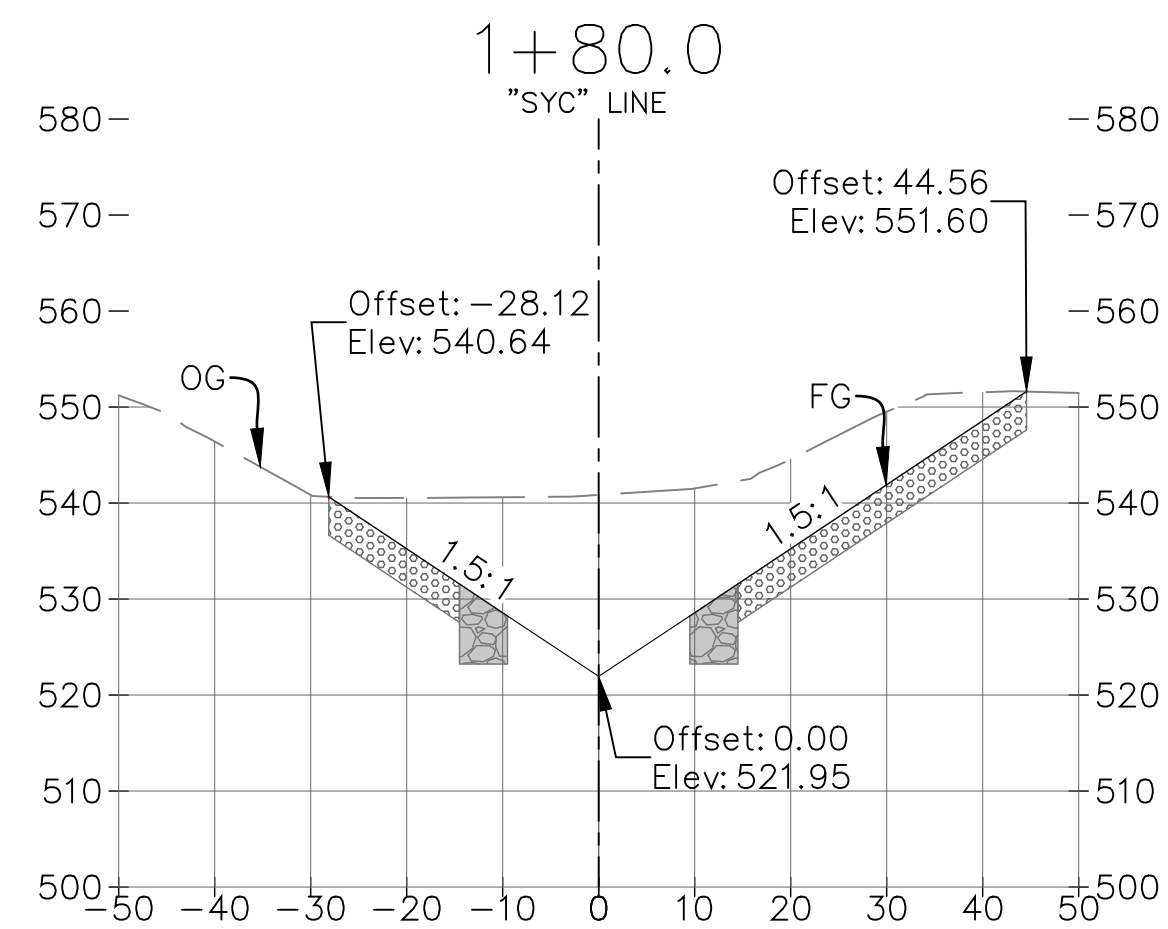
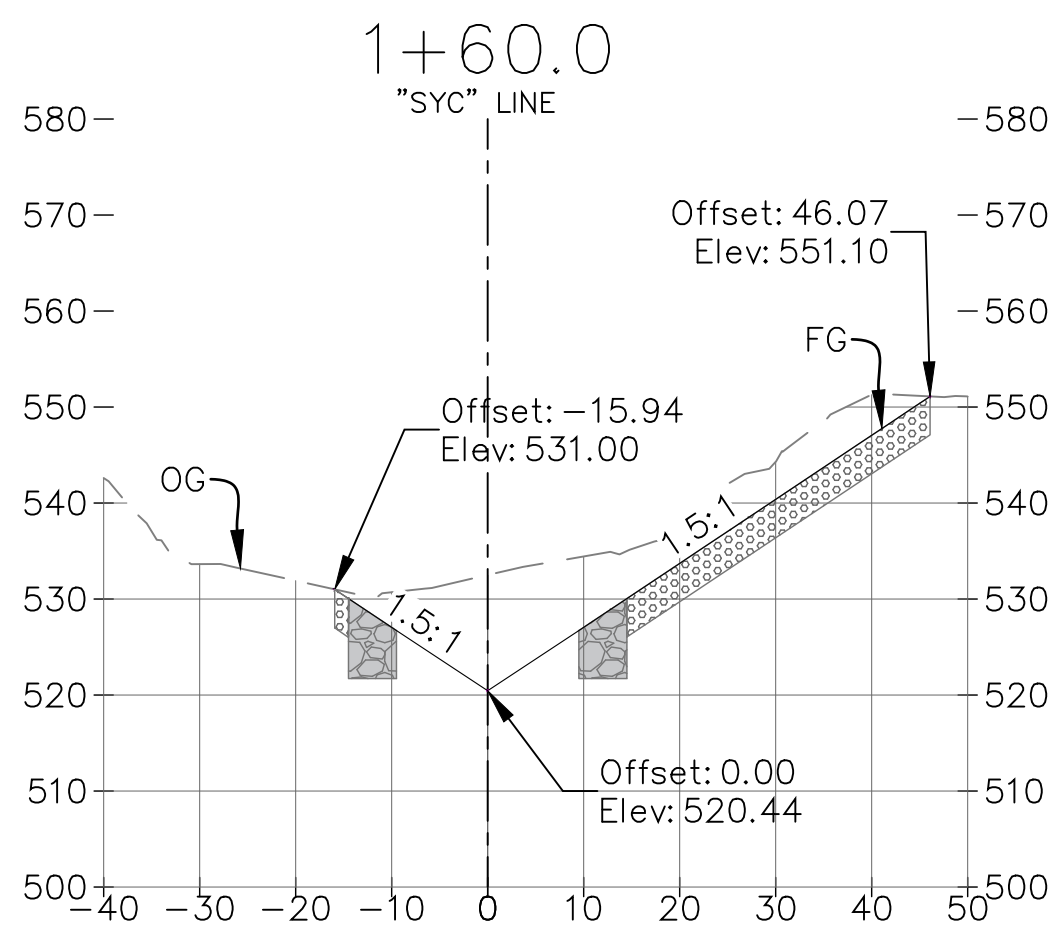


SAN YSIDRO DEBRIS
 BASIN IMPROVEMENT PROJECT
 AREA OF MONTECITO
 SANTA BARBARA COUNTY, CALIFORNIA

**SAN YSIDRO
 CONTROL LINE
 PROFILE**

DESIGNED BY:
 LB
 DRAWN BY:
 CF
 CHECKED BY:
 HBL

O-1157
 SHEET 9 OF 18
 Filename: San Ysidro DB Plans.DWG



SECTIONS 0+75 TO 2+20
SCALE: 1" = 20'

NOTES:

1. STA "SYC" 1+20.00 TO STA "SYC" 1+50.00 AVAILABLE FOR TRANSITIONAL GRADING BETWEEN TYPICAL SECTIONS 1 AND 2.

ALL UNDERGROUND UTILITIES SHOWN ARE PLOTTED BASED ON INFORMATION PROVIDED BY OTHERS, AND ARE APPROXIMATE. OVERHEAD UTILITIES ARE NOT SHOWN.

THE SANTA BARBARA COUNTY FLOOD CONTROL DISTRICT IS NOT RESPONSIBLE FOR THE ACCURACY OF THIS INFORMATION. CONTRACTOR SHALL NOTIFY UNDERGROUND SERVICE ALERT A MINIMUM OF TWO WORKING DAYS PRIOR TO COMMENCEMENT OF ANY EXCAVATION @ 1-800-422-4133.

UNAUTHORIZED CHANGES OR USES:
THE SANTA BARBARA COUNTY FLOOD CONTROL & WATER CONSERVATION DISTRICT AND ITS EMPLOYEES WILL NOT BE RESPONSIBLE FOR, OR LIABLE FOR, UNAUTHORIZED CHANGES TO OR USES OF THESE PLANS. ALL PROPOSED CHANGES TO THE PLANS MUST BE PRESENTED IN WRITING TO THE DISTRICT AND APPROVED IN WRITING BY THE DISTRICT PRIOR TO IMPLEMENTATION OF ANY SUCH CHANGE OR USE.

CONTRACTOR'S LICENSE
THE CONTRACTOR SHALL POSSESS THE CLASS (OR CLASSES) OF LICENSE AS SPECIFIED IN THE "NOTICE" ADVERTISING FOR BIDS.



REVISIONS			
NO.	DESCRIPTION	DATE	APR



DESIGNED BY: *Lesley Brooks* 02/12/2024
WRECO DATE

SANTA BARBARA COUNTY
FLOOD CONTROL AND
WATER CONSERVATION DISTRICT
130 E. VICTORIA STREET
SANTA BARBARA, CA 93101
(805) 568-3440



SAN YSIDRO DEBRIS
BASIN IMPROVEMENT PROJECT
AREA OF MONTECITO
SANTA BARBARA COUNTY, CALIFORNIA

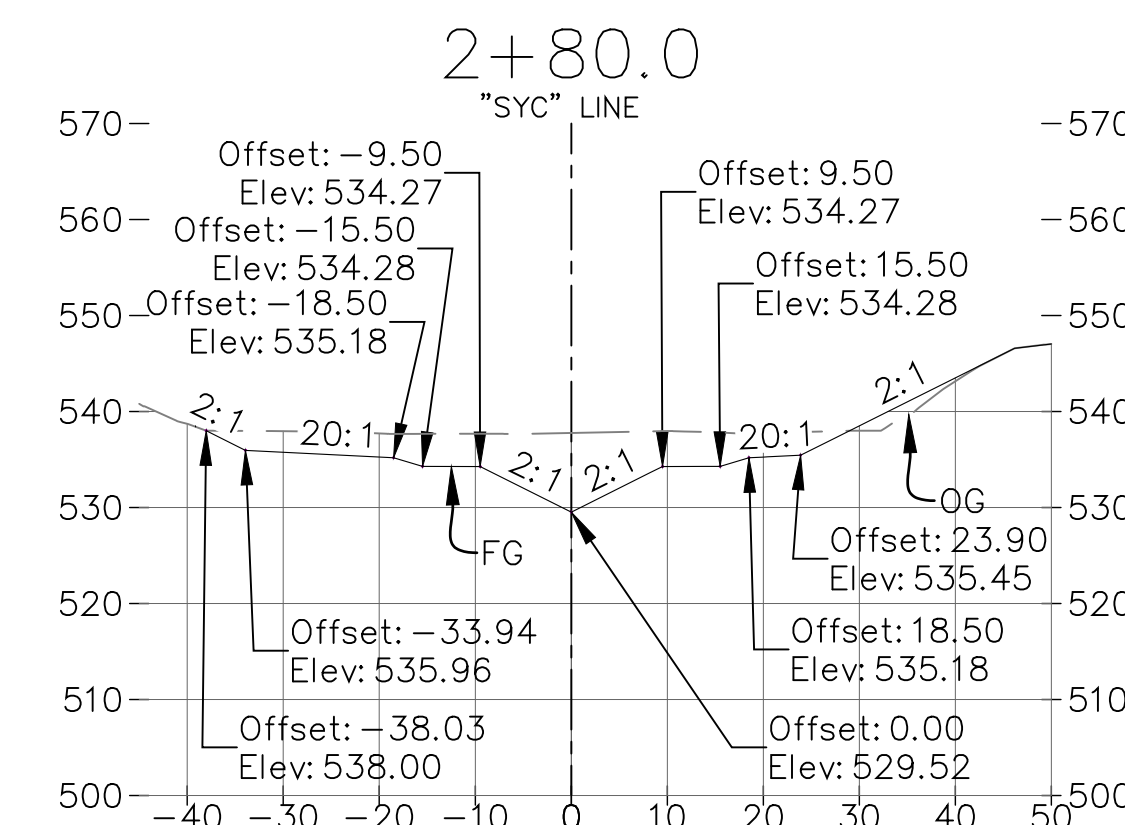
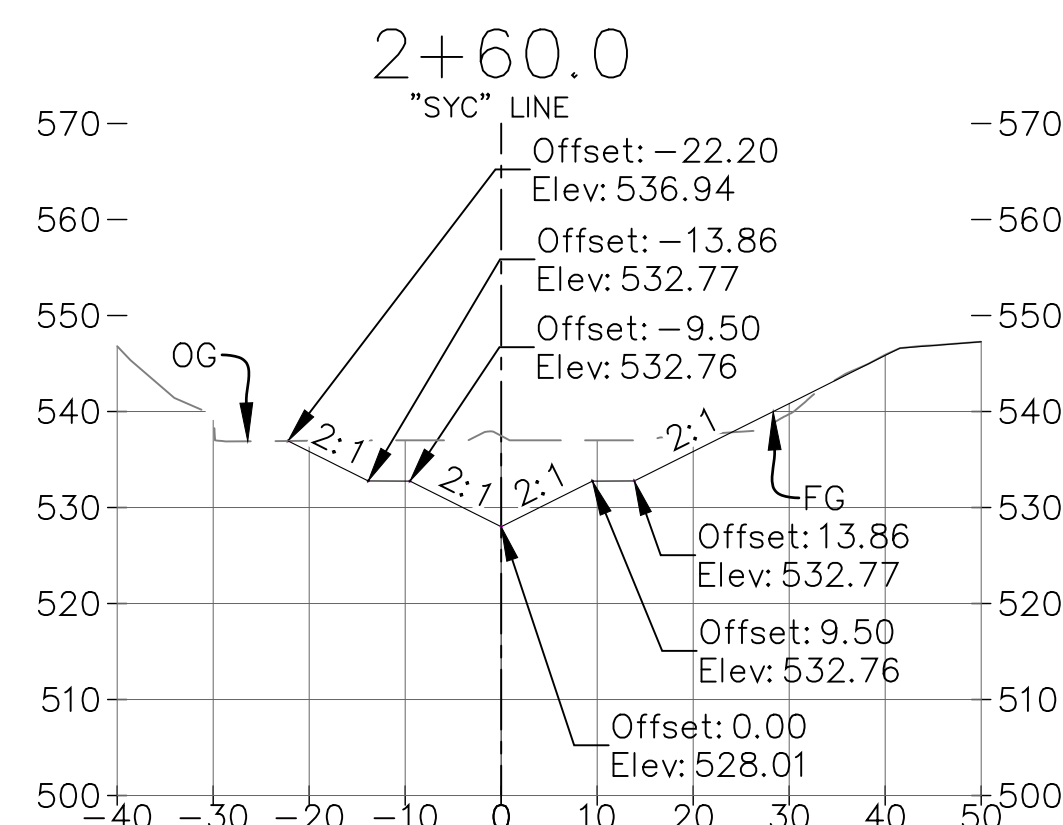
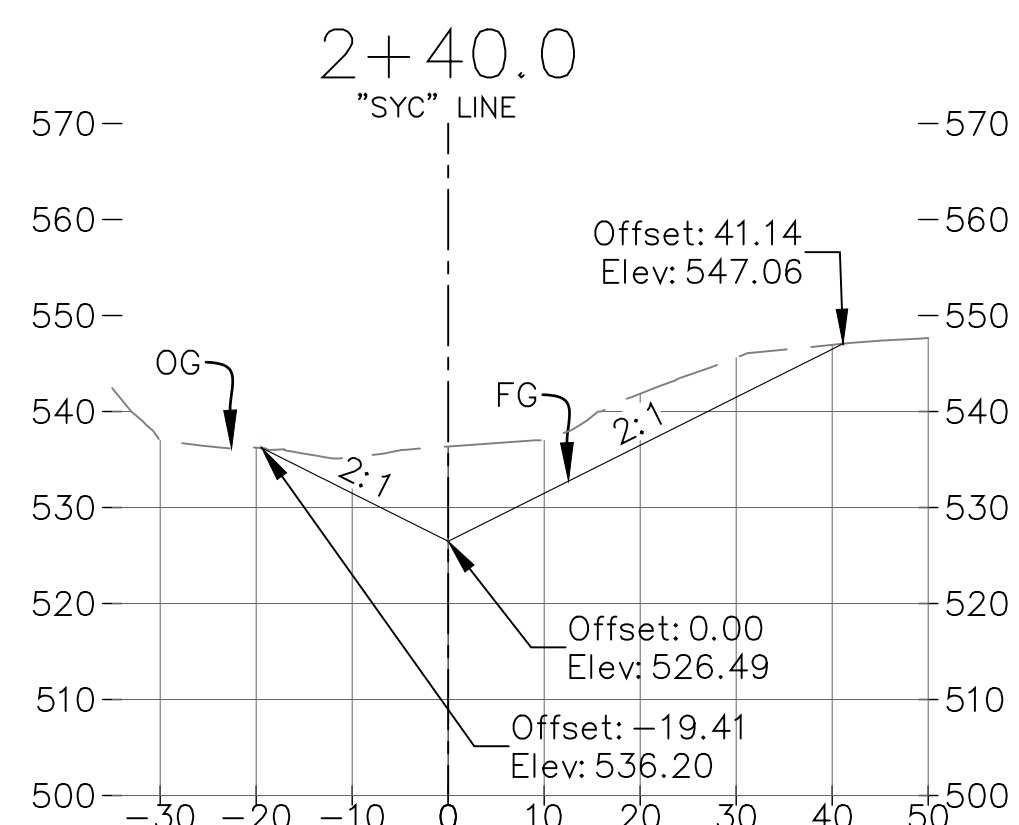
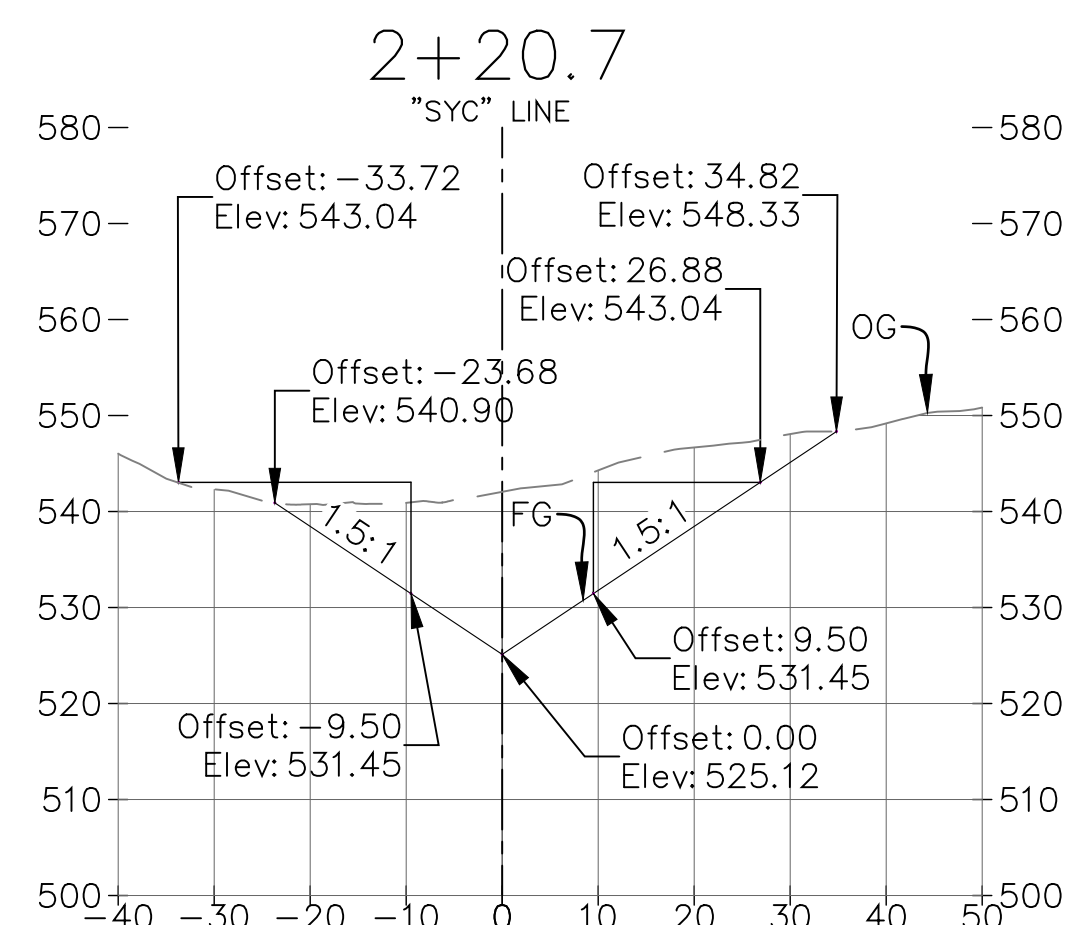
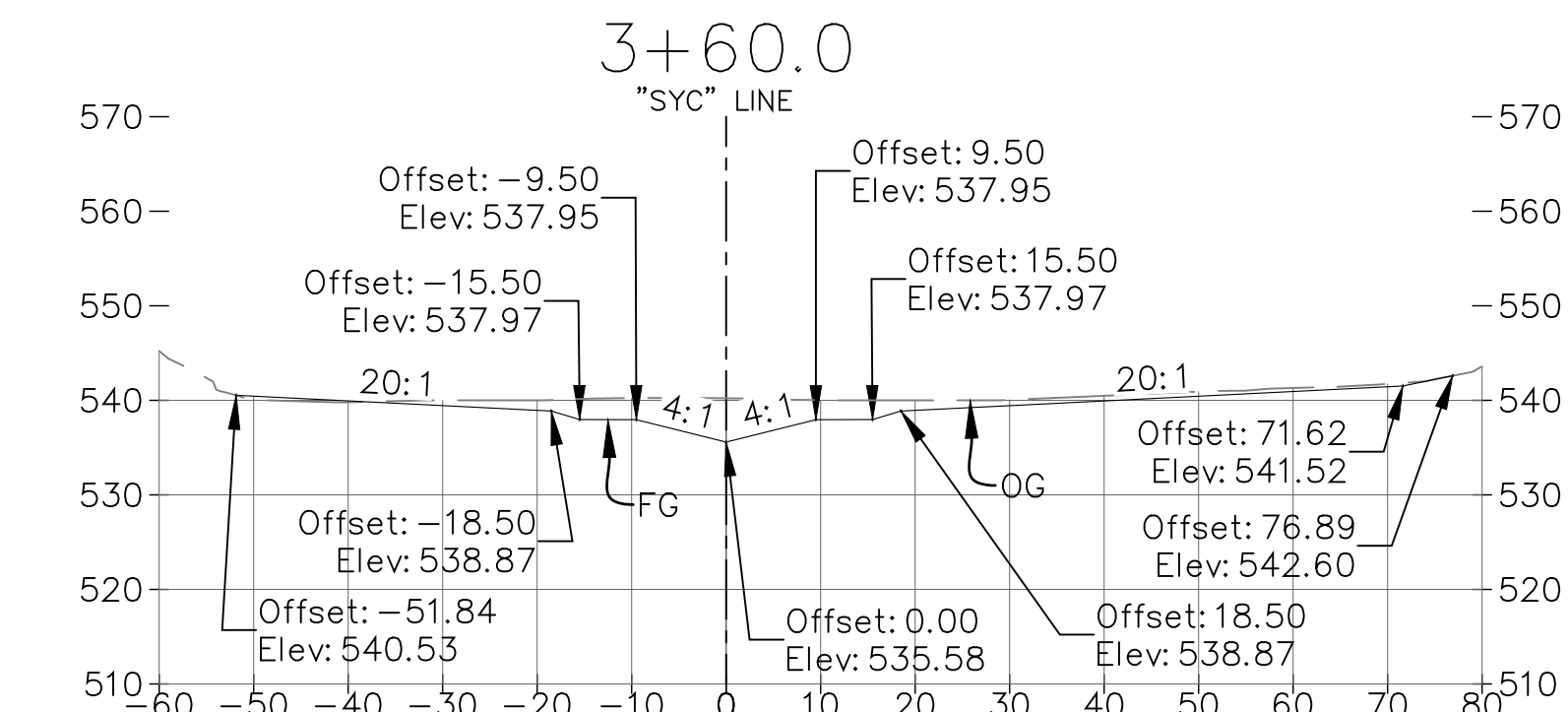
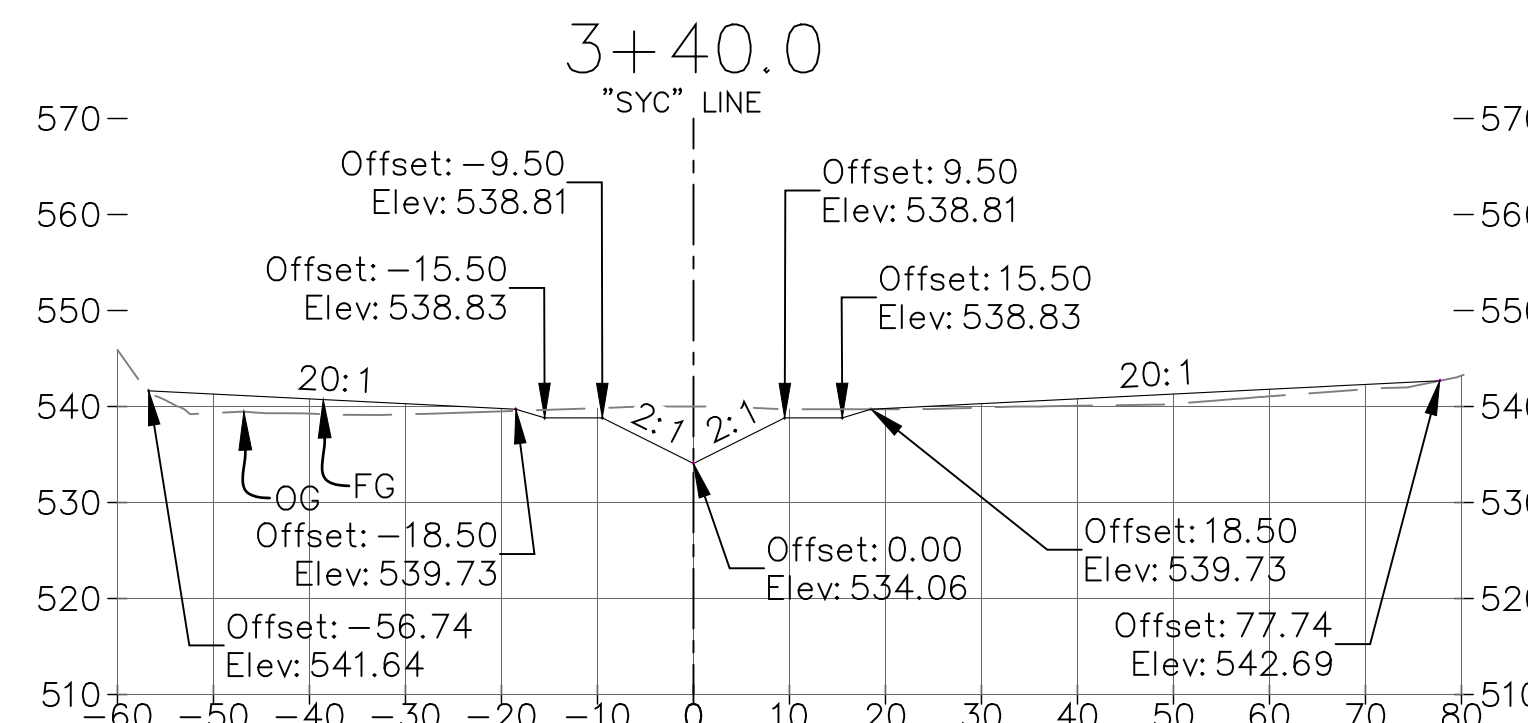
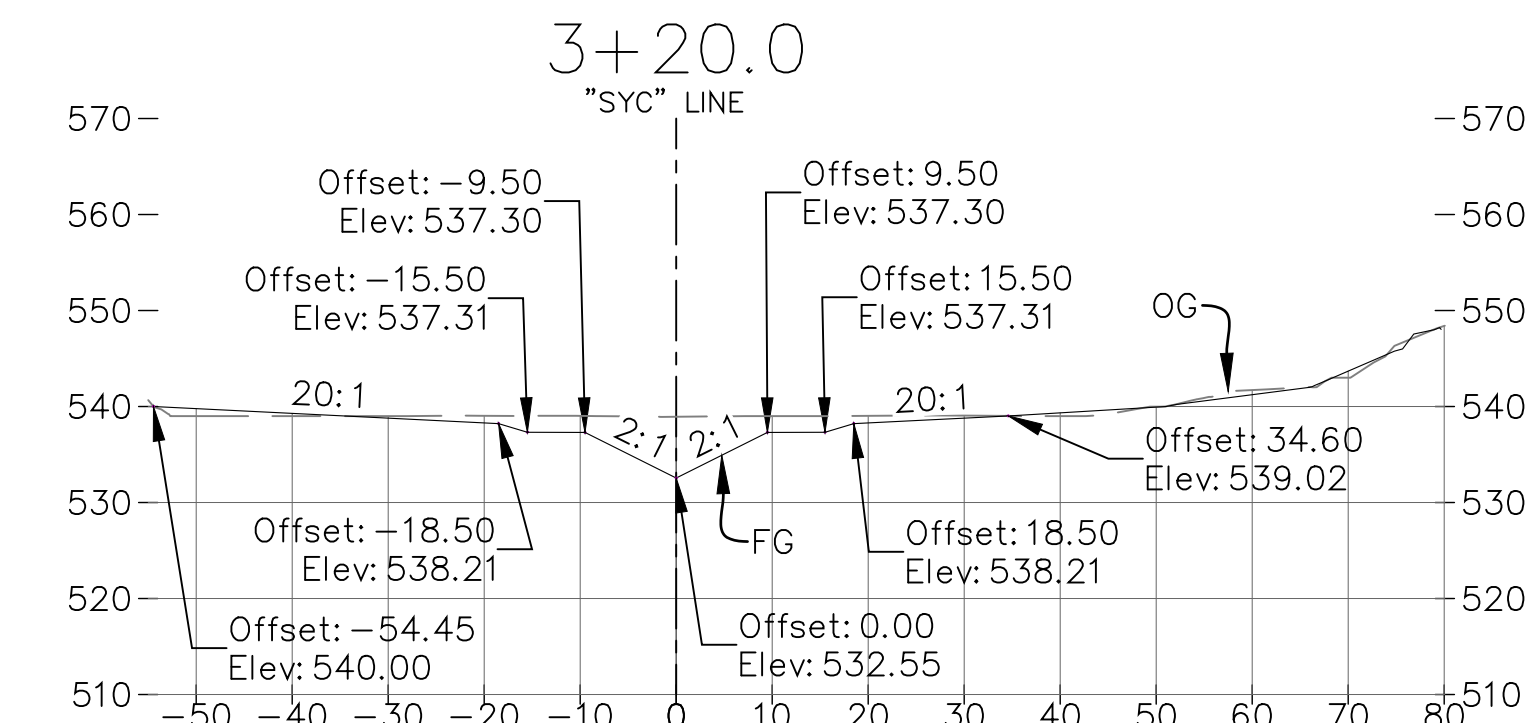
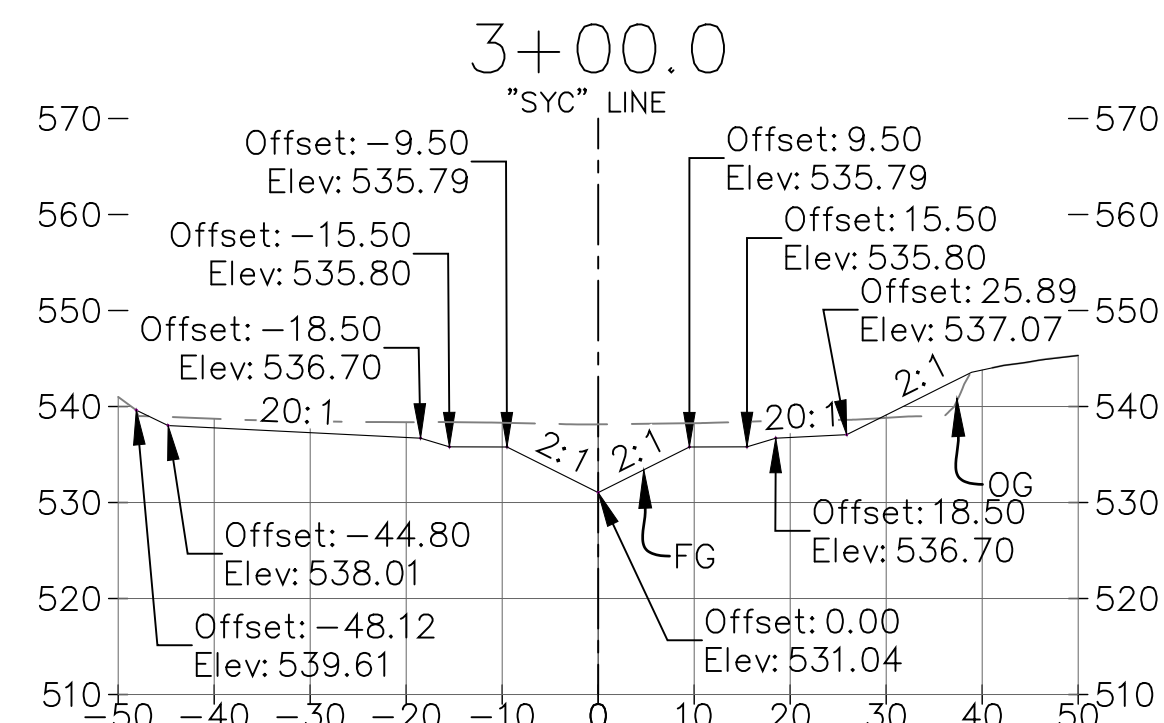
SECTIONS 1

DESIGNED BY:
LB
DRAWN BY:
CF
CHECKED BY:
HBL

O-1157

SHEET 10 OF 18

Filename: San Ysidro DB Plans.DWG



SECTIONS 2+20.7 TO 3+60
SCALE: 1" = 20'

NOTES:

1. END TRANSITION FROM TYPICAL SECTION 2 APPROXIMATELY 20' UPSTREAM OF WALL BETWEEN STATION "SYC" 2+20.0 AND "SYC" 2+40.0.

ALL UNDERGROUND UTILITIES SHOWN ARE PLOTTED BASED ON INFORMATION PROVIDED BY OTHERS, AND ARE APPROXIMATE. OVERHEAD UTILITIES ARE NOT SHOWN.

THE SANTA BARBARA COUNTY FLOOD CONTROL DISTRICT IS NOT RESPONSIBLE FOR THE ACCURACY OF THIS INFORMATION. CONTRACTOR SHALL NOTIFY UNDERGROUND SERVICE ALERT A MINIMUM OF TWO WORKING DAYS PRIOR TO COMMENCEMENT OF ANY EXCAVATION @ 1-800-422-4133.

UNAUTHORIZED CHANGES OR USES:
THE SANTA BARBARA COUNTY FLOOD CONTROL & WATER CONSERVATION DISTRICT AND ITS EMPLOYEES WILL NOT BE RESPONSIBLE FOR, OR LIABLE FOR, UNAUTHORIZED CHANGES TO OR USES OF THESE PLANS. ALL PROPOSED CHANGES TO THE PLANS MUST BE PRESENTED IN WRITING TO THE DISTRICT AND APPROVED IN WRITING BY THE DISTRICT PRIOR TO IMPLEMENTATION OF ANY SUCH CHANGE OR USE.

CONTRACTOR'S LICENSE
THE CONTRACTOR SHALL POSSESS THE CLASS (OR CLASSES) OF LICENSE AS SPECIFIED IN THE "NOTICE" ADVERTISING FOR BIDS.



REVISIONS			
NO.	DESCRIPTION	DATE	APR



DESIGNED BY: *Lesley Brooks* 02/12/2024
WRECO DATE

SANTA BARBARA COUNTY
FLOOD CONTROL AND
WATER CONSERVATION DISTRICT
130 E. VICTORIA STREET
SANTA BARBARA, CA 93101
(805) 568-3440



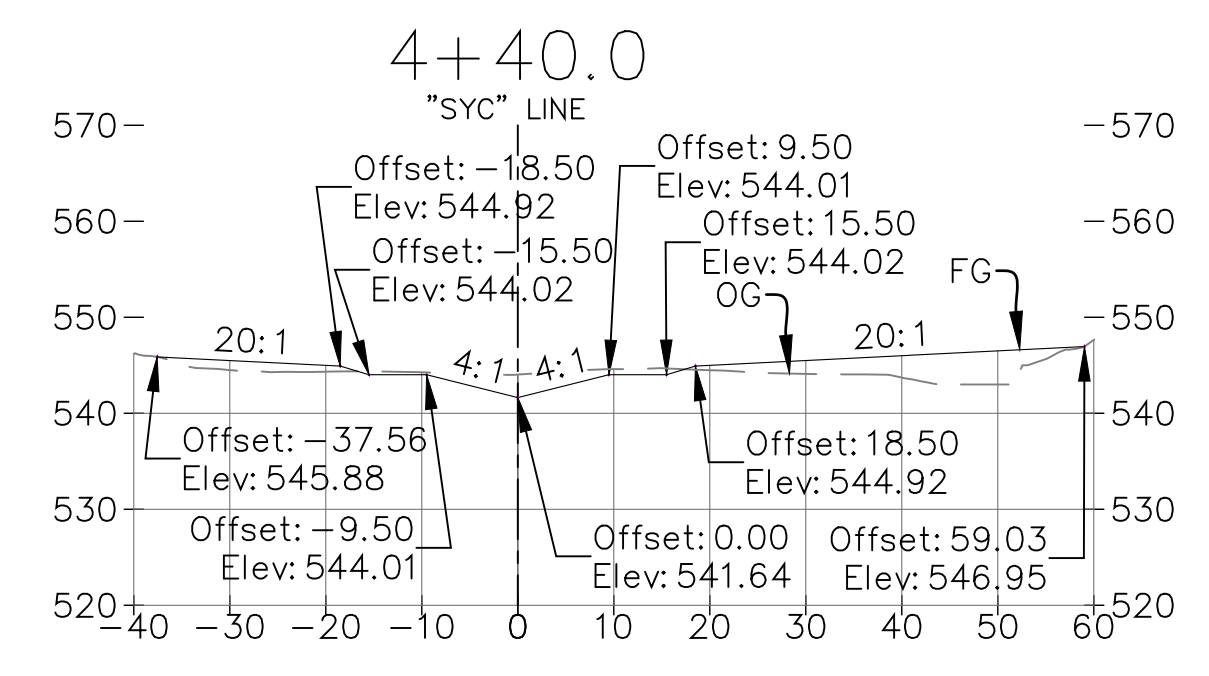
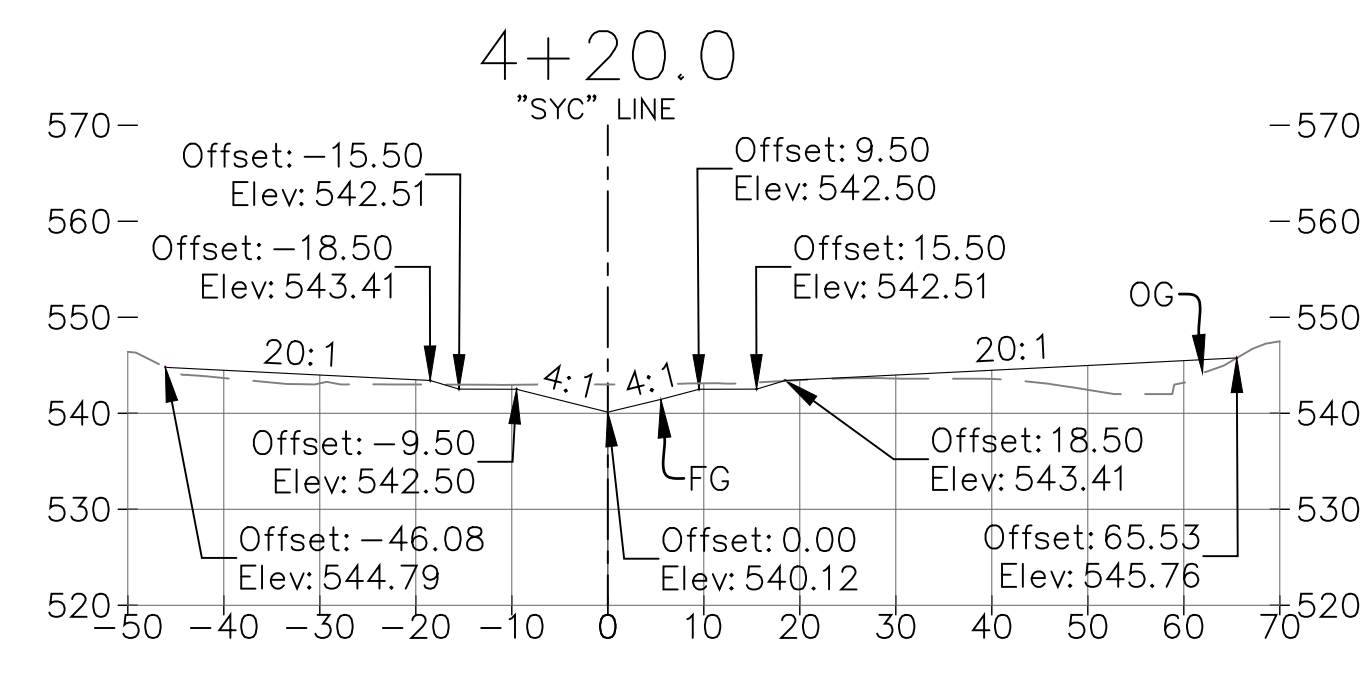
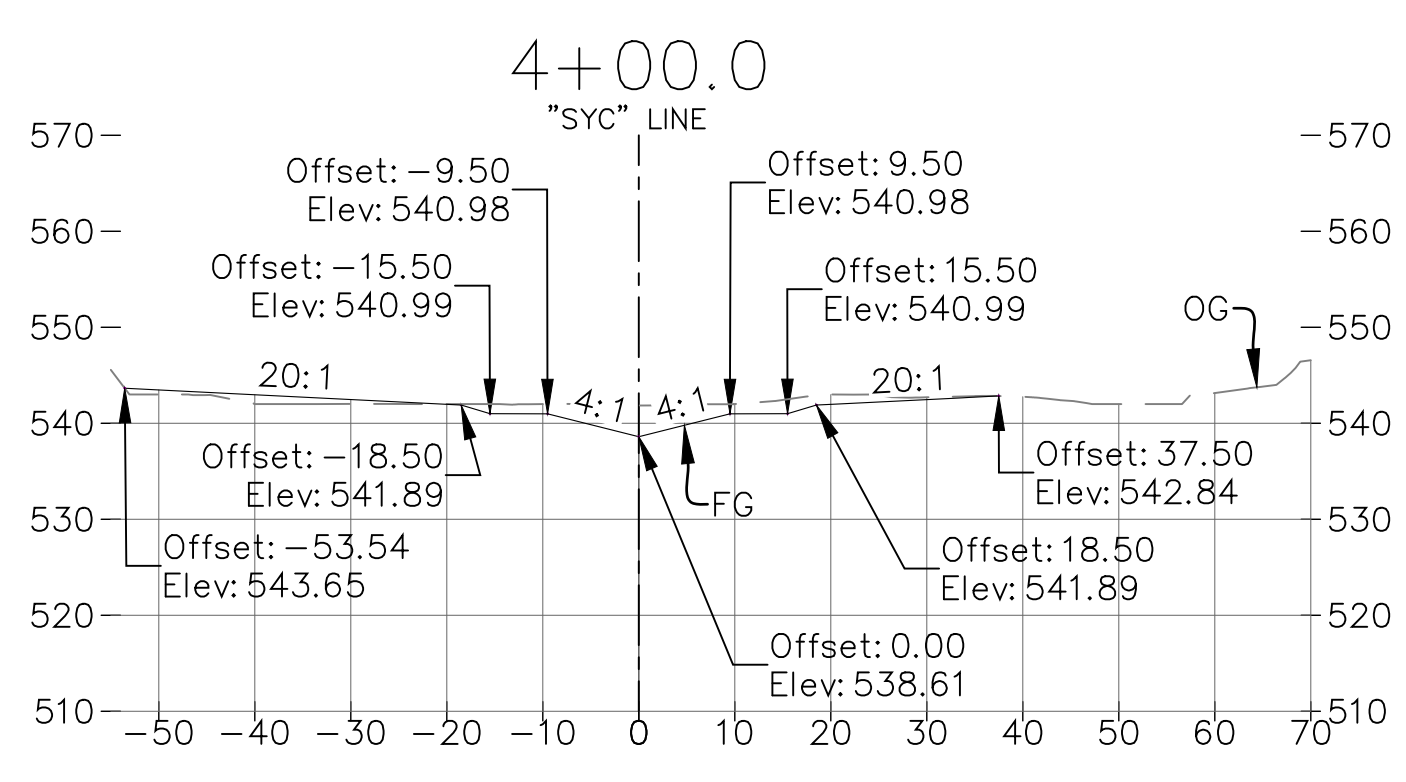
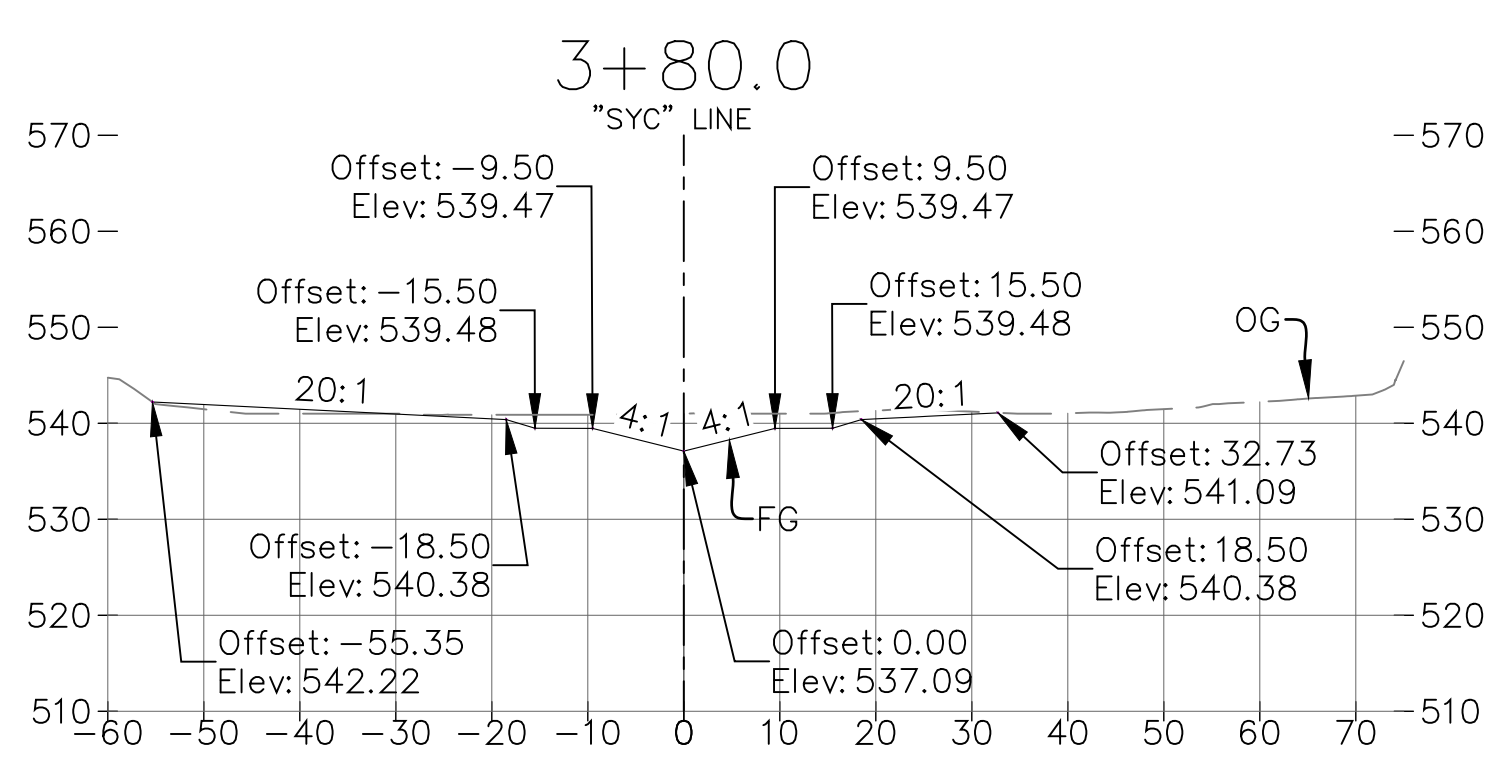
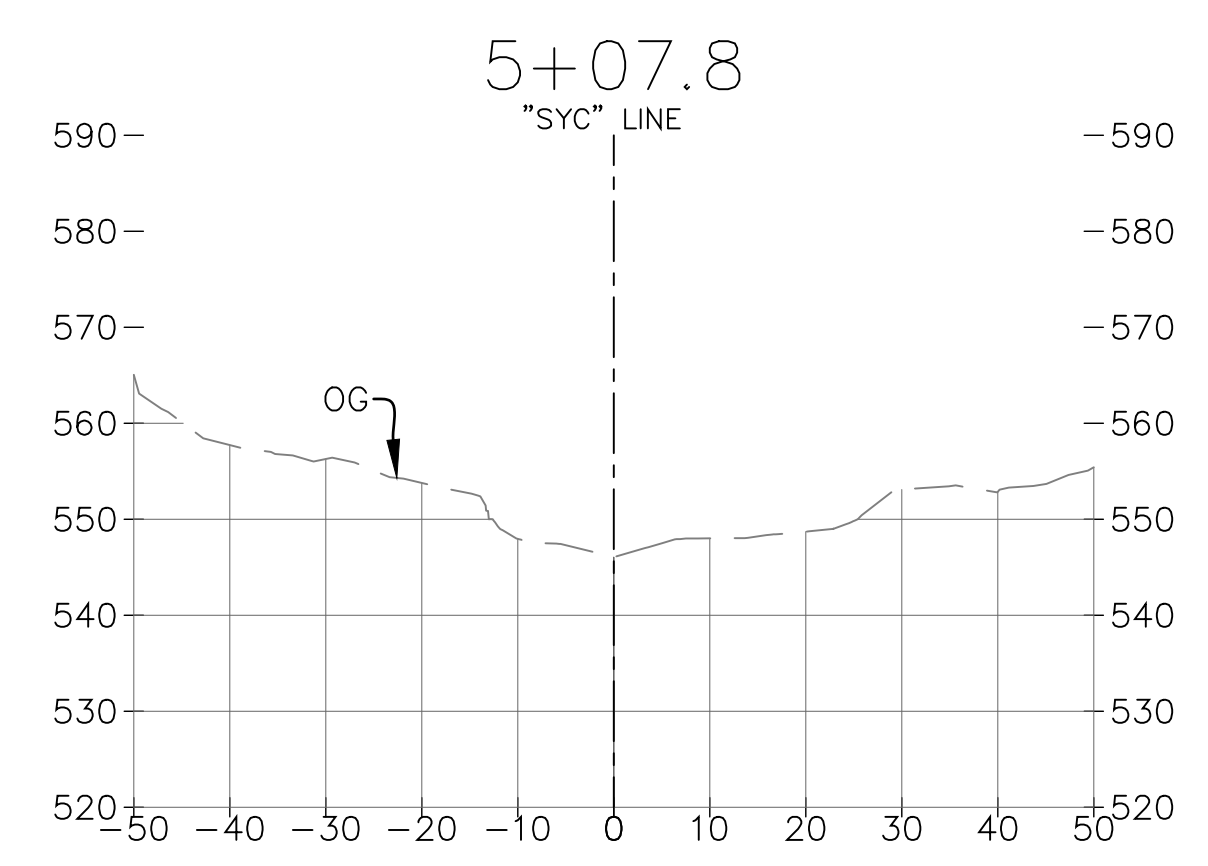
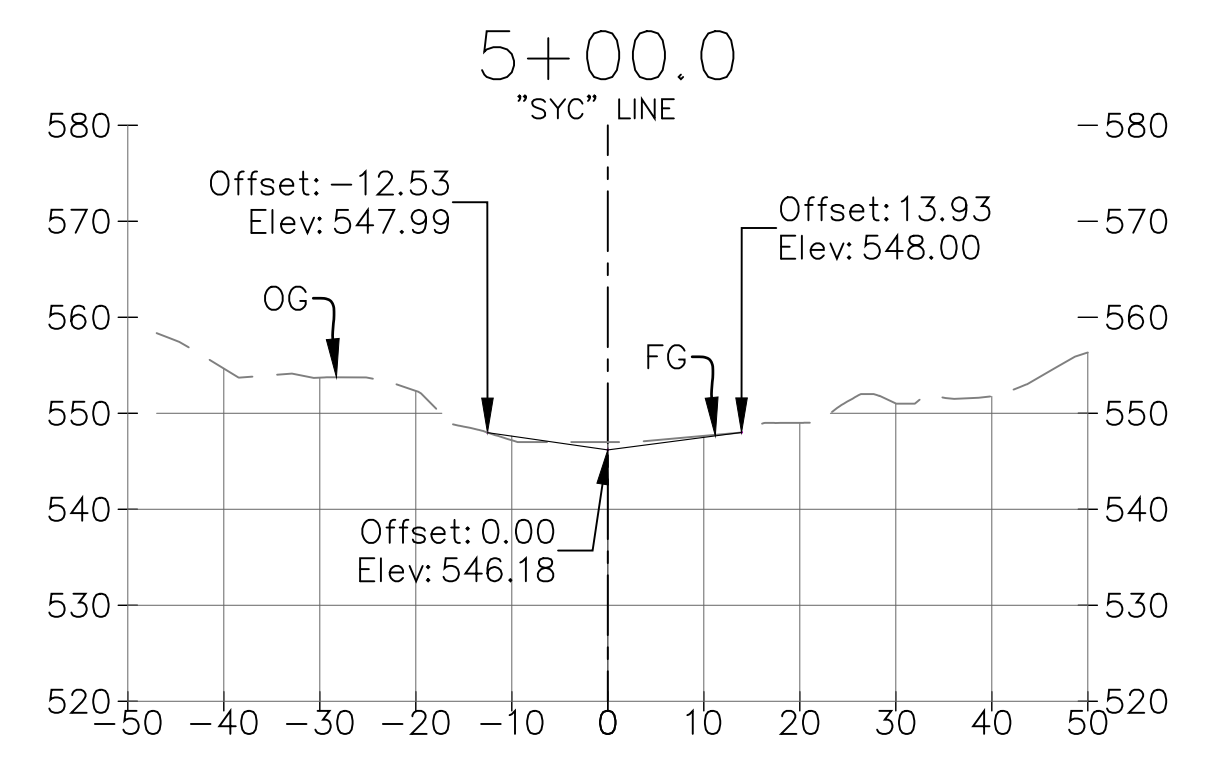
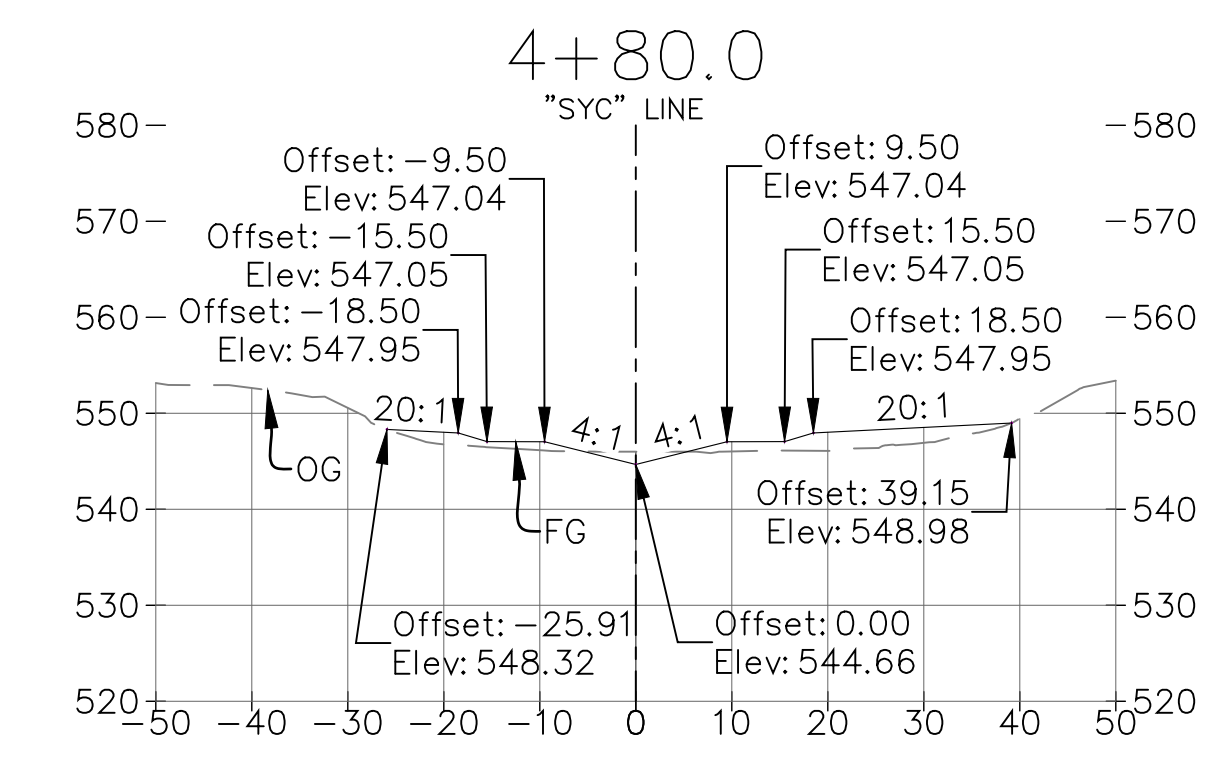
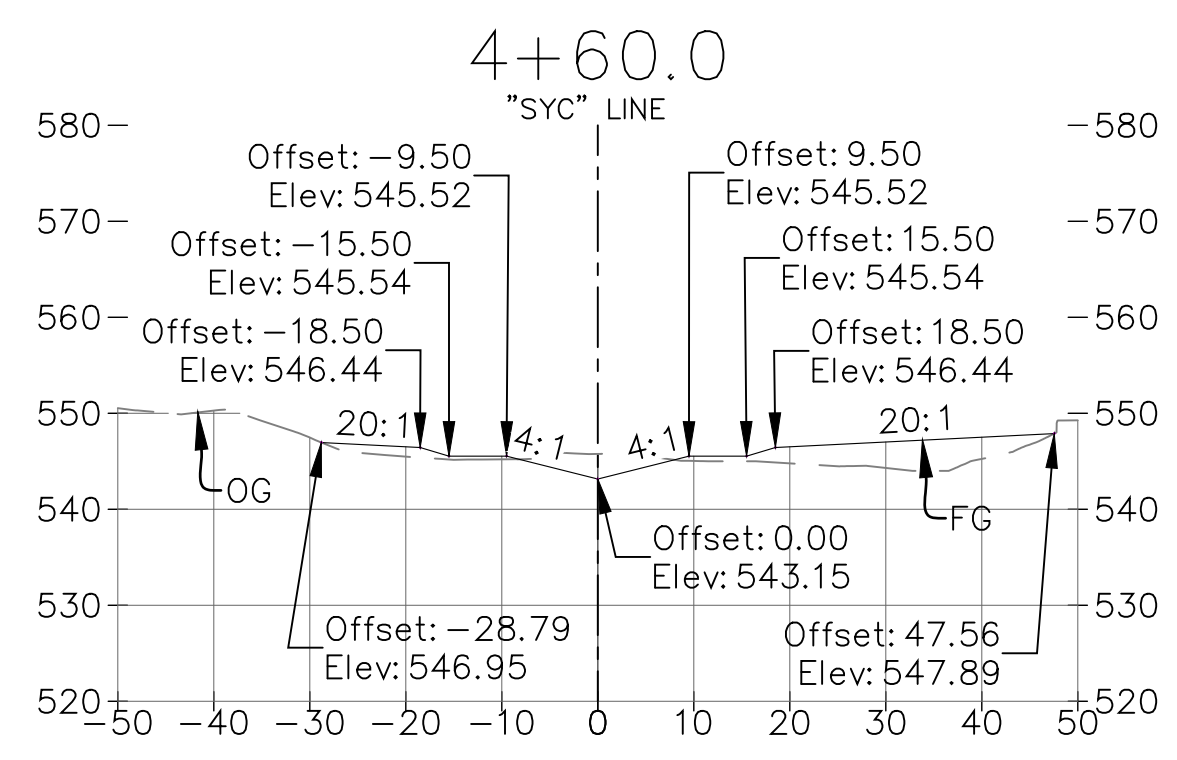
SAN YSIDRO DEBRIS
BASIN IMPROVEMENT PROJECT
AREA OF MONTECITO
SANTA BARBARA COUNTY, CALIFORNIA

SECTIONS 2

DESIGNED BY:
LB
DRAWN BY:
CF
CHECKED BY:
HBL

O-1157

SHEET 11 OF 18
Filename: San Ysidro DB Plans.DWG



SECTIONS 3+80 TO 5+07.8
SCALE: 1" = 20'



ALL UNDERGROUND UTILITIES SHOWN ARE PLOTTED BASED ON INFORMATION PROVIDED BY OTHERS, AND ARE APPROXIMATE. OVERHEAD UTILITIES ARE NOT SHOWN.

THE SANTA BARBARA COUNTY FLOOD CONTROL DISTRICT IS NOT RESPONSIBLE FOR THE ACCURACY OF THIS INFORMATION. CONTRACTOR SHALL NOTIFY UNDERGROUND SERVICE ALERT A MINIMUM OF TWO WORKING DAYS PRIOR TO COMMENCEMENT OF ANY EXCAVATION @ 1-800-422-4133.

UNAUTHORIZED CHANGES OR USES:
THE SANTA BARBARA COUNTY FLOOD CONTROL & WATER CONSERVATION DISTRICT AND ITS EMPLOYEES WILL NOT BE RESPONSIBLE FOR, OR LIABLE FOR, UNAUTHORIZED CHANGES TO OR USES OF THESE PLANS. ALL PROPOSED CHANGES TO THE PLANS MUST BE PRESENTED IN WRITING TO THE DISTRICT AND APPROVED IN WRITING BY THE DISTRICT PRIOR TO IMPLEMENTATION OF ANY SUCH CHANGE OR USE.

CONTRACTOR'S LICENSE
THE CONTRACTOR SHALL POSSESS THE CLASS (OR CLASSES) OF LICENSE AS SPECIFIED IN THE "NOTICE" ADVERTISING FOR BIDS.

REVISIONS			
NO.	DESCRIPTION	DATE	APR



DESIGNED BY: *Lesley Brooks* 02/12/2024
WRECO DATE

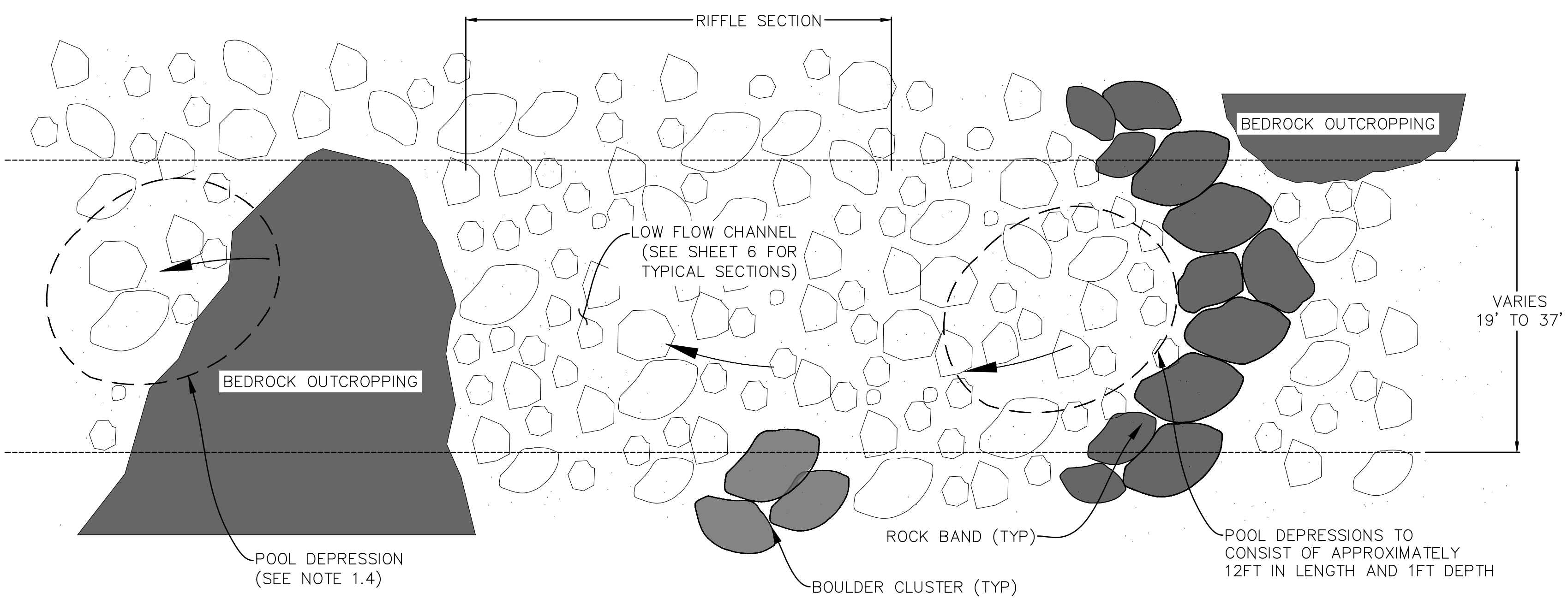
SANTA BARBARA COUNTY
FLOOD CONTROL AND
WATER CONSERVATION DISTRICT
130 E. VICTORIA STREET
SANTA BARBARA, CA 93101
(805) 568-3440



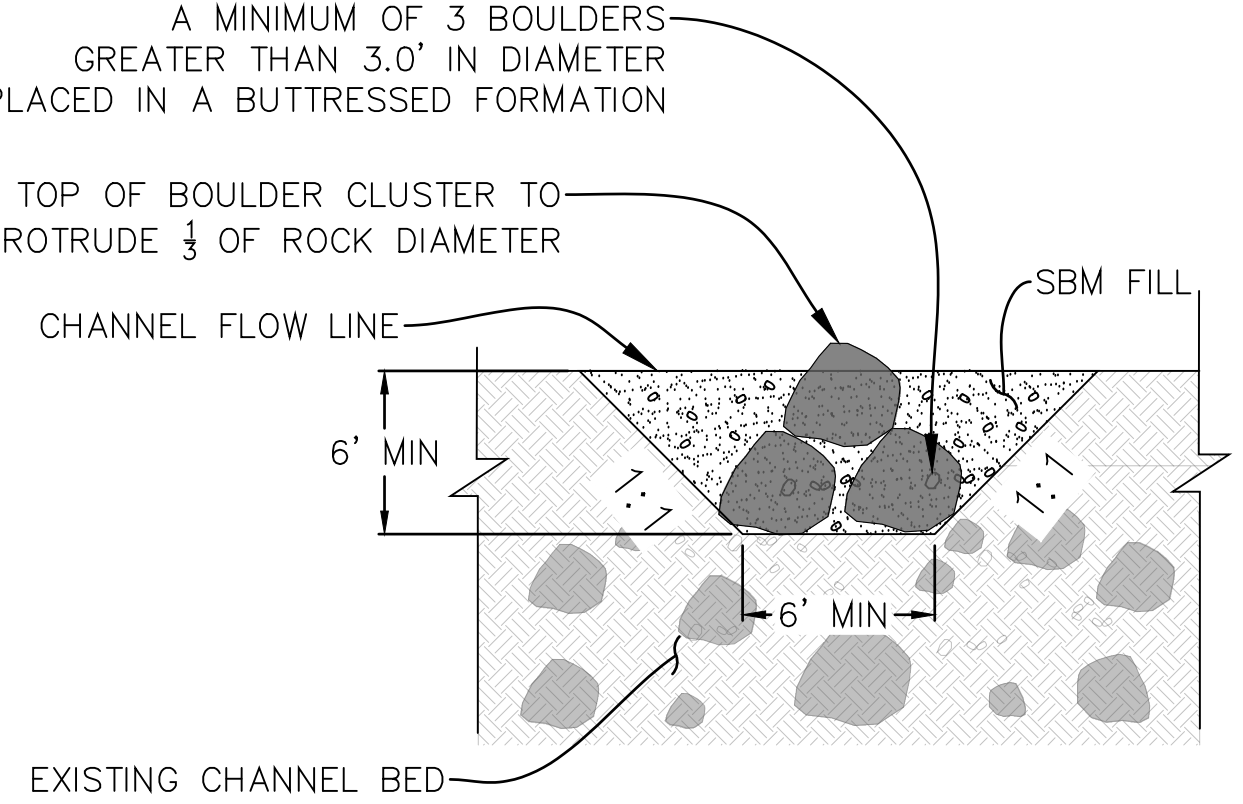
SAN YSIDRO DEBRIS
BASIN IMPROVEMENT PROJECT
AREA OF MONTECITO
SANTA BARBARA COUNTY, CALIFORNIA

SECTIONS 3

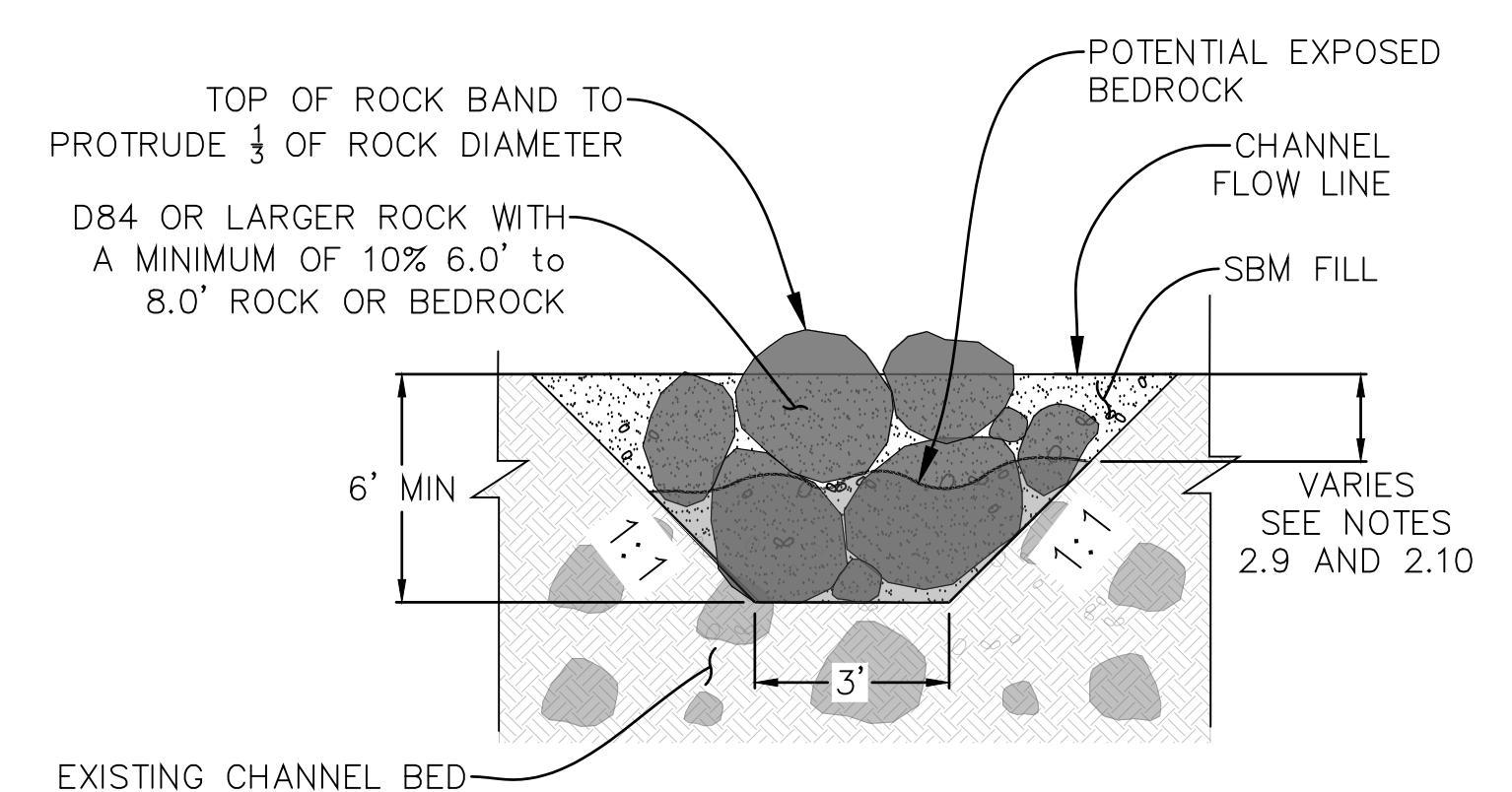
DESIGNED BY:	LB	O-1157
DRAWN BY:	CF	
CHECKED BY:	HBL	SHEET 12 OF 18
Filename: San Ysidro DB Plans.DWG		



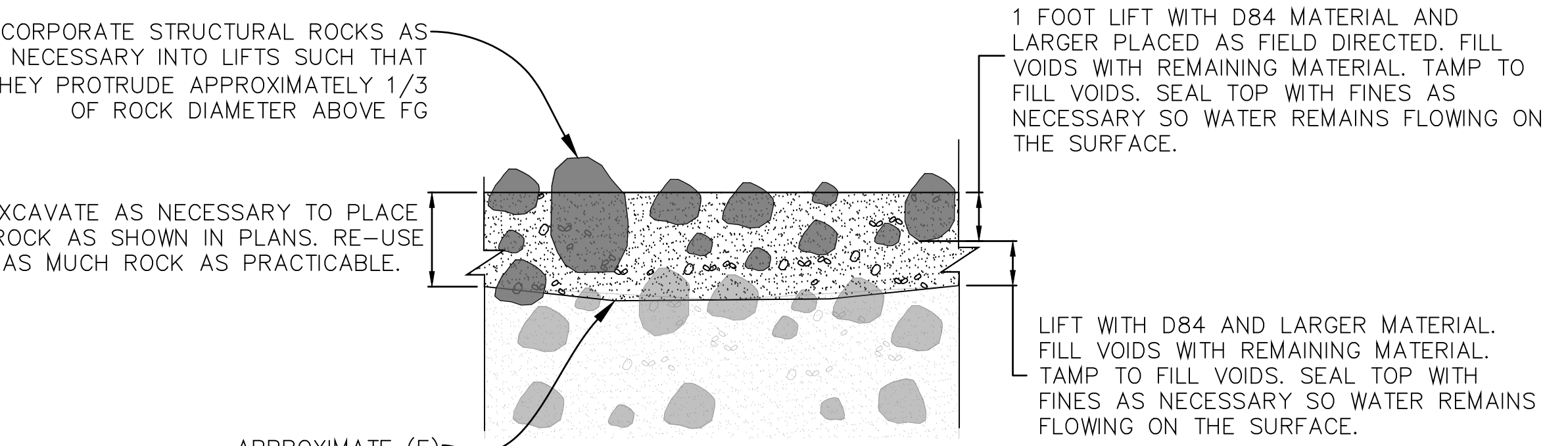
TYPICAL STREAM SIMULATION DETAIL
NOT TO SCALE



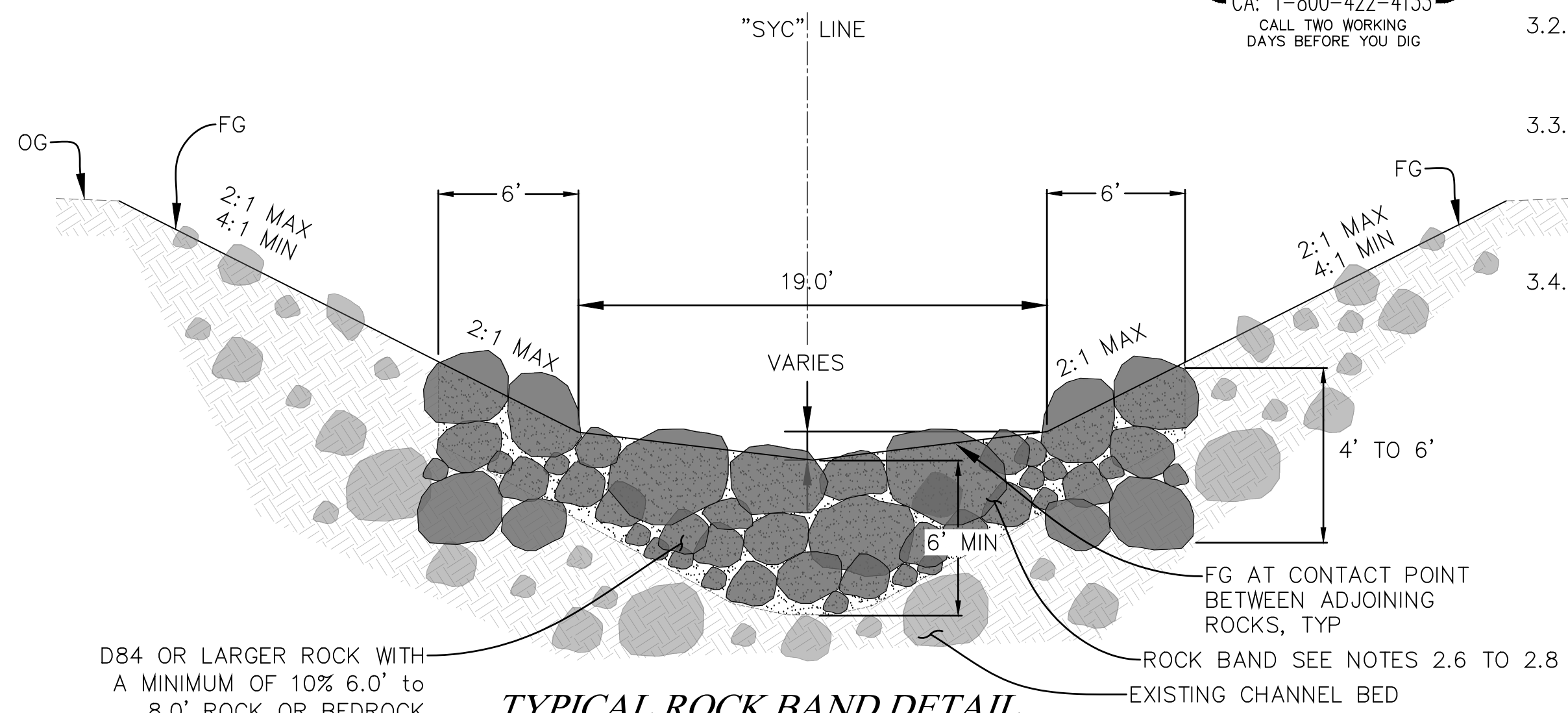
TYPICAL BOULDER CLUSTER DETAIL
NOT TO SCALE



ROCK BAND DETAIL
NOT TO SCALE



TYPICAL SBM LIFT PLACEMENT DETAIL
NOT TO SCALE
(SEE SHEET 6 FOR ADDITIONAL NOTES ON SBM PLACEMENT)



TYPICAL ROCK BAND DETAIL
NOT TO SCALE

NOTES:

- BEDROCK OUTCROPPINGS
 - BEDROCK EXPOSURE DURING GRADING ACTIVITIES IS ANTICIPATED THROUGHOUT THE PROJECT LIMITS. APPROXIMATE LOCATIONS OF KNOWN AND EXPECTED BEDROCK OUTCROPPINGS ARE PROVIDED ON THE LAYOUT PLAN BUT DO NOT ENCOMPASS ALL POTENTIAL BEDROCK LOCATIONS. EVALUATE THE QUANTITY OF BEDROCK EXPOSED AT FG EVERY 50 LF ALONG THE SAN YSIDRO PROFILE USING PEBBLE COUNTS BEFORE PLACING SBM. IF MORE THAN 14% OF EXPOSED MATERIAL AT FG IS BEDROCK, PLACE A WEIGHTED DISTRIBUTION OF SBM D84 OR SMALLER WITH AT LEAST 2% BOULDERS LARGER THAN 3.0' IN DIAMETER. IF LESS THAN 14% IS BEDROCK, PLACE ADDITIONAL 6.0' TO 8.0' DIAMETER BOULDERS WITH ADDITIONAL REPLACEMENT BEYOND 3.0' DEPTH AS FIELD DIRECTED.
 - EXCAVATION ACTIVITIES SHALL NOT REMOVE EXPOSED BEDROCK WITHIN 18 INCHES OF FG BUT SHALL GRADE AROUND EXPOSED BEDROCK TO THE APPROXIMATE FLOWLINE PROVIDED IN THE SAN YSIDRO PROFILE AND PER THE DISCRETION OF THE COUNTY FIELD ENGINEER.
 - EXPOSED BEDROCK SHALL BE EVALUATED FOR ROUGHNESS BY COUNTY FIELD ENGINEER FOR EQUIVALENCY TO REFERENCE REACH BEDROCK ROUGHNESS. IF NECESSARY, BREAKING AND/OR CHIPPING OF THE BEDROCK MAY BE REQUIRED TO PROVIDE ADEQUATE ROUGHNESS OR POOL FEATURES AS DESCRIBED IN THE FIELD MANUAL.
 - BOULDERS FROM SBM D84 OR LARGER SHALL BE PLACED ADJACENT TO THE BEDROCK OUTCROPPINGS AND ALONG CHANNEL EDGES AS FIELD DIRECTED.
 - BEDROCK OUTCROPPINGS THAT SPAN THE THALWEG WIDTH OR EXTEND GREATER THAN 75% OF THE BANKFULL WIDTH WILL REQUIRE BEDROCK EXCAVATION TO PROVIDE A LOW FLOW CHANNEL, ALONG WITH SUPPLEMENTAL BOULDERS ALONG THE EDGES TO HELP SHAPE THE CHANNEL SIMILAR TO THE REFERENCE REACH AS PROVIDED IN THE FIELD MANUAL.

NOTES (CONTINUED):

- CHANNEL FORCING FEATURES
 - FORCING FEATURES TO CONSIST OF CHANNEL SPANNING ROCK BANDS OR BOULDER CLUSTERS CONSISTING OF 3.0' DIAMETER ROCK TO 6.0' DIAMETER ROCK. PURPOSE OF FORCING FEATURES IS TO PROPAGATE POOL FORMATION OVER TIME. FORCING FEATURES SHALL BE PROVIDED AT THE UPSTREAM CONFORM LIMITS, NEAR THE RETAINING WALL OPENING, AND AT A MINIMUM SPACING OF 40 LF TO 50 LF ALONG THE SAN YSIDRO PROFILE.
 - PLACEMENT OF FORCING FEATURES DOWNSTREAM OF THE WALL STRUCTURE TO BE LIMITED TO SECTIONS WITH FILL BETWEEN OG AND FG.
 - FORCING FEATURE LOCATION AND ROCK SELECTION TO BE FIELD DIRECTED AND APPROVED BY COUNTY ENGINEER.
 - BOULDER CLUSTERS MADE UP OF D84 OR LARGER AND TO BE PLACED WITHIN 6- FEET OF THE CHANNEL FLOWLINE AND FIELD DIRECTED.
 - ROCK BANDS TO SPAN THE BANKFULL WIDTH.
 - ROCK BANDS TO BE ROUGHLY ANGLED IN THE UPSTREAM DIRECTION WITH SPACE PROVIDED FOR A CONTINUOUS LOW FLOW CHANNEL THROUGH THE ROCK BAND.
 - WHERE APPROPRIATE, ROCK BANDS MAY BE CONSTRUCTED OF A COMBINATION OF EXPOSED BEDROCK OUTCROPPINGS, INTERLOCKED BOULDERS OF 6.0' TO 8.0' IN DIAMETER, EMBEDDED BOULDERS OF 6.0' TO 8.0' IN DIAMETER (IF LESS THAN 14% BEDROCK), AND 3.0' OR LARGER SBM MATERIAL.
 - IF BEDROCK IS EXPOSED AT A DEPTH SHALLOWER THAN THE EMBEDMENT DEPTH OF THE ROCK BAND, THEN PLACE 6.0' OR LARGER MATERIAL TO FORM THE ROCK BAND.
 - WHERE BEDROCK IS EXPOSED AT ROCK BAND FEATURE LOCATIONS, ROCK BANDS WILL BE FORMED OF THE EXPOSED BEDROCK AND ADDITIONAL LARGE BOULDERS 6.0' TO 8.0' IN DIAMETER. EXTENSIVE TRENCHING INTO BEDROCK TO INSTALL LARGE BOULDERS WILL NOT BE REQUIRED IF THE FOLLOWING CONDITIONS ARE MET:
 - BEDROCK ROUGHENED AND BEARING SURFACE PREPARED, THROUGH CHIPPING AND BREAKING, FOR MAXIMUM CONTACT WITH LARGE BOULDERS.
 - LARGE BOULDERS ARE PLACED WITH 3 POINTS OF CONTACT.

POINTS OF CONTACT ARE:

- CHANNEL BOTTOM - IF BEDROCK IS THE BEARING SURFACE, ROUGHEN BEFORE PLACING BOULDERS.
- ROCK/BEDROCK - BUTT THE BOULDERS AGAINST EXPOSED BEDROCK OR A SECOND BOULDER.
- CHANNEL SIDES - IF BEDROCK IS EXPOSED, BUTT THE BOULDERS AGAINST IT. IF SBM IS EXPOSED, EMBED THE BOULDER 1/3 ITS DIAMETER OR UNTIL IT TOUCHES BEDROCK.

ROCK SIZING

STREAMBED MATERIAL (SBM)	
B-AXIS SIZE RANGE	VOLUME PERCENT OF MIX
*6.0-8.0 FT	14
3.0-6.0 FT	2
1.8-3.0 FT	14
0.6-1.8 FT	20
0.2-0.6 FT	25
0.084-2 IN	16
<0.084 IN (NO. 8 SIEVE)	9

*GREATER THAN 6.0' INCLUDES EXPOSED BEDROCK OUTCROPPINGS



3. LOW FLOW CHANNEL

- CONFIRM ELEVATIONS MATCH THE SECTION SHEETS 10 THROUGH 12 WHEN CONSTRUCTING THE LOW FLOW CHANNEL. ELEVATIONS MAY DEVIATE BY UP TO 18 INCHES TO ACCOMMODATE BEDROCK EXPOSED IN THE CHANNEL AND PROVIDE A STREAM SIMULATION CHANNEL AS DESCRIBED IN THE FIELD MANUAL.
- DEVIATIONS IN ELEVATION MUST NOT BE CUMULATIVE AND CONSTRUCTED GRADE MUST MEET FG ONCE EVERY 40' TO 50'. IT IS ACCEPTABLE TO CUT DOWN TO MEET GRADE. CONFIRM WITH THE FIELD ENGINEER IF ROCK BANDS WILL BE PLACED IN THESE LOCATIONS. CONSULT THE FIELD MANUAL FOR ALTERNATIVE HABITAT TYPES.
- PROVIDE ADDITIONAL ROUGHNESS AND POOLS THROUGH BREAKING AND/OR CHIPPING.

ALL UNDERGROUND UTILITIES SHOWN ARE PLOTTED BASED ON INFORMATION PROVIDED BY OTHERS, AND ARE APPROXIMATE. OVERHEAD UTILITIES ARE NOT SHOWN.

THE SANTA BARBARA COUNTY FLOOD CONTROL DISTRICT IS NOT RESPONSIBLE FOR THE ACCURACY OF THIS INFORMATION. CONTRACTOR SHALL NOTIFY UNDERGROUND SERVICE ALERT A MINIMUM OF TWO WORKING DAYS PRIOR TO COMMENCEMENT OF ANY EXCAVATION @ 1-800-422-4133.

UNAUTHORIZED CHANGES OR USES: THE SANTA BARBARA COUNTY FLOOD CONTROL & WATER CONSERVATION DISTRICT AND ITS EMPLOYEES WILL NOT BE RESPONSIBLE FOR, OR LIABLE FOR, UNAUTHORIZED CHANGES TO OR USES OF THESE PLANS. ALL PROPOSED CHANGES TO THE PLANS MUST BE PRESENTED IN WRITING TO THE DISTRICT AND APPROVED IN WRITING BY THE DISTRICT PRIOR TO IMPLEMENTATION OF ANY SUCH CHANGE OR USE.

CONTRACTOR'S LICENSE: THE CONTRACTOR SHALL POSSESS THE CLASS (OR CLASSES) OF LICENSE AS SPECIFIED IN THE "NOTICE" ADVERTISING FOR BIDS.

REVISIONS			
NO.	DESCRIPTION	DATE	APR



DESIGNED BY: *Lesley Brooks* 02/12/2024
WRECO DATE

SANTA BARBARA COUNTY
FLOOD CONTROL AND
WATER CONSERVATION DISTRICT
130 E. VICTORIA STREET
SANTA BARBARA, CA 93101
(805) 568-3440



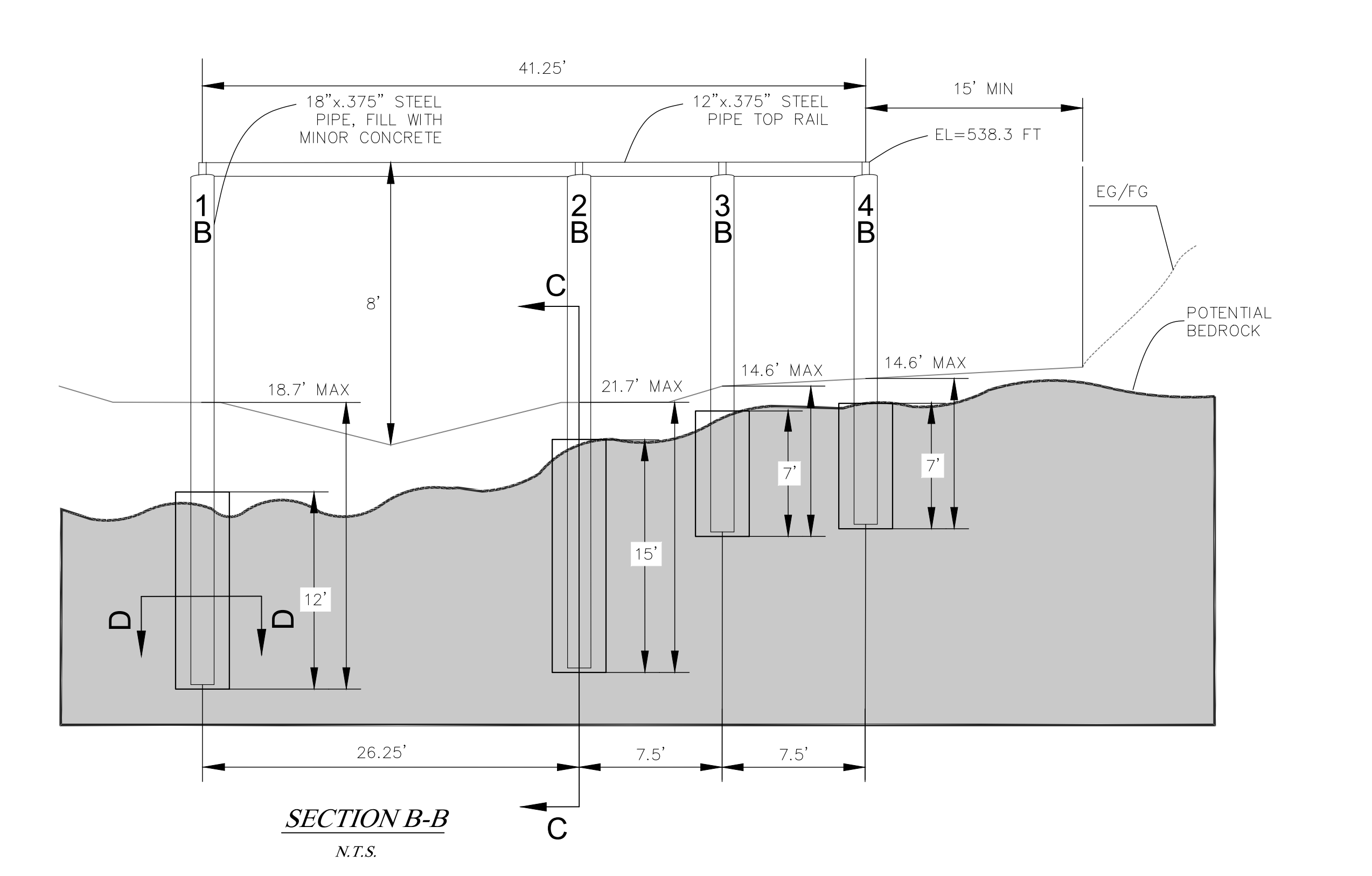
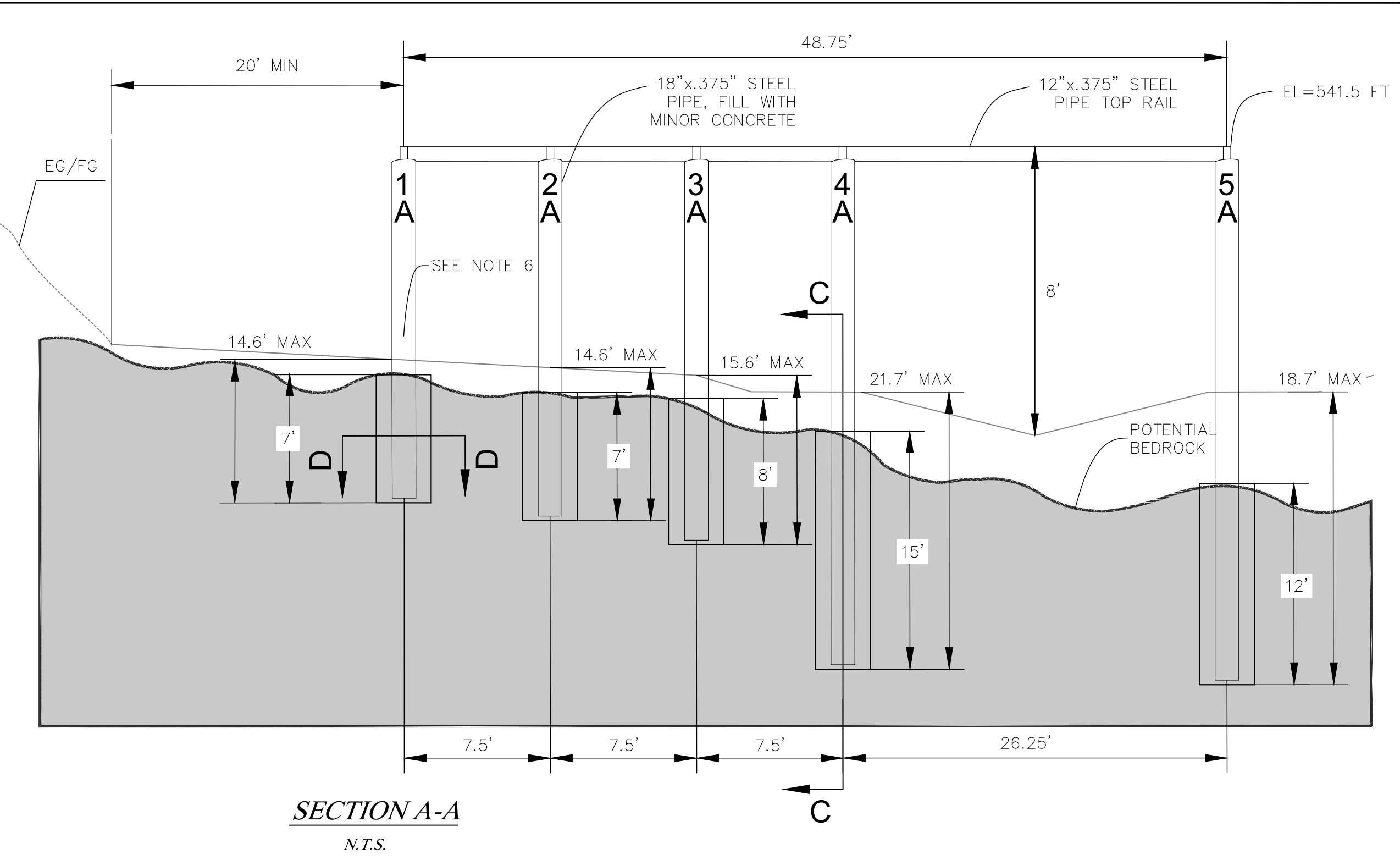
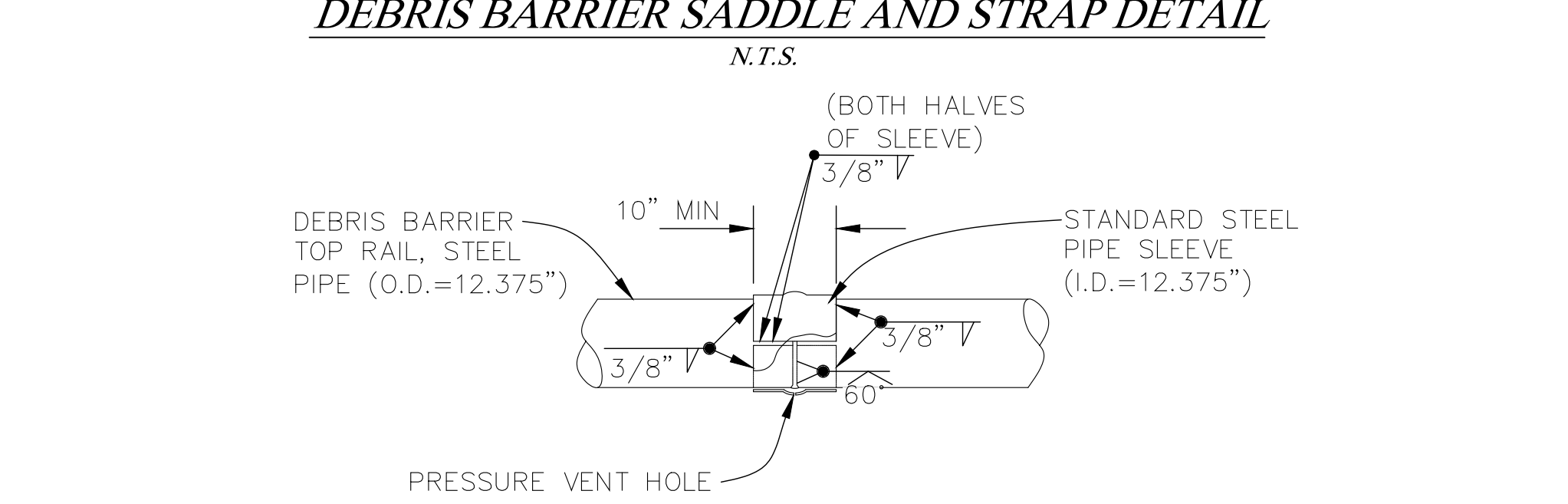
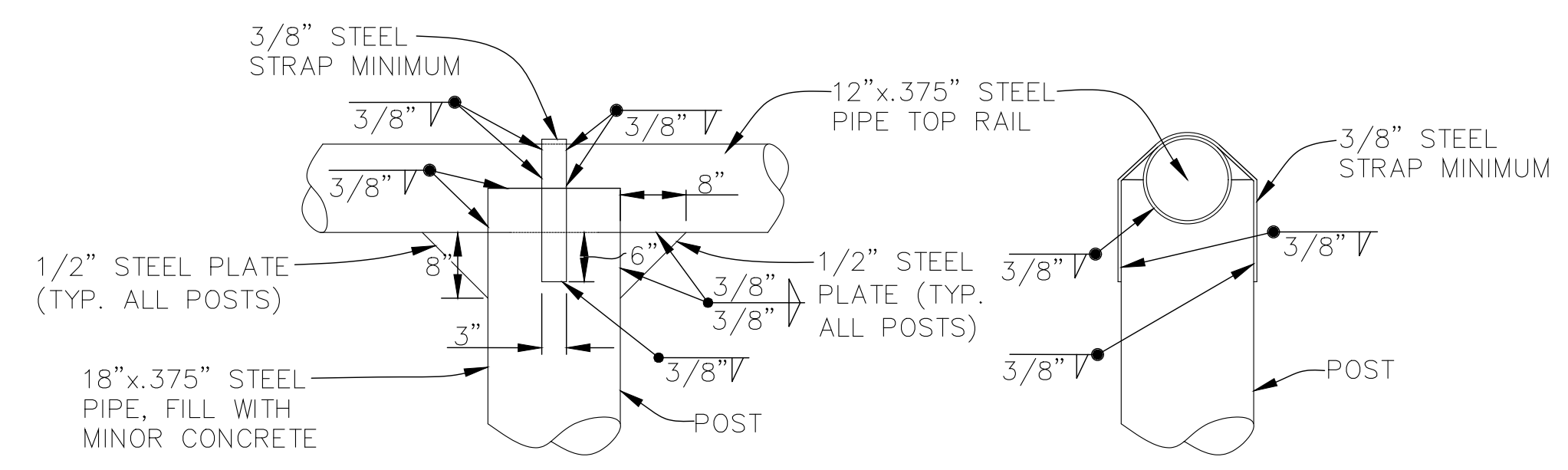
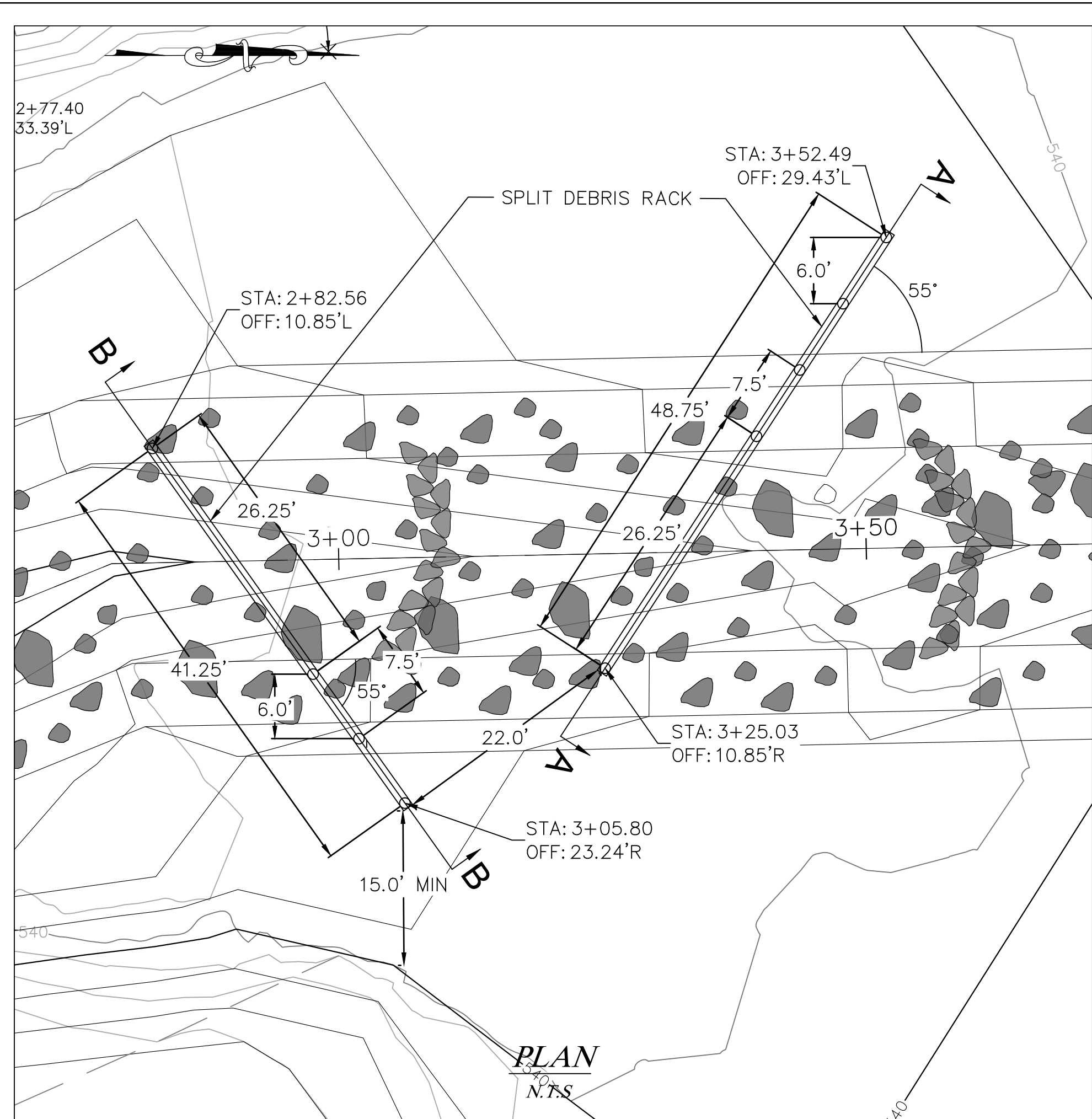
SAN YSIDRO DEBRIS
BASIN IMPROVEMENT PROJECT
AREA OF MONTECITO
SANTA BARBARA COUNTY, CALIFORNIA

SBM ROCK
PLACEMENT DETAIL

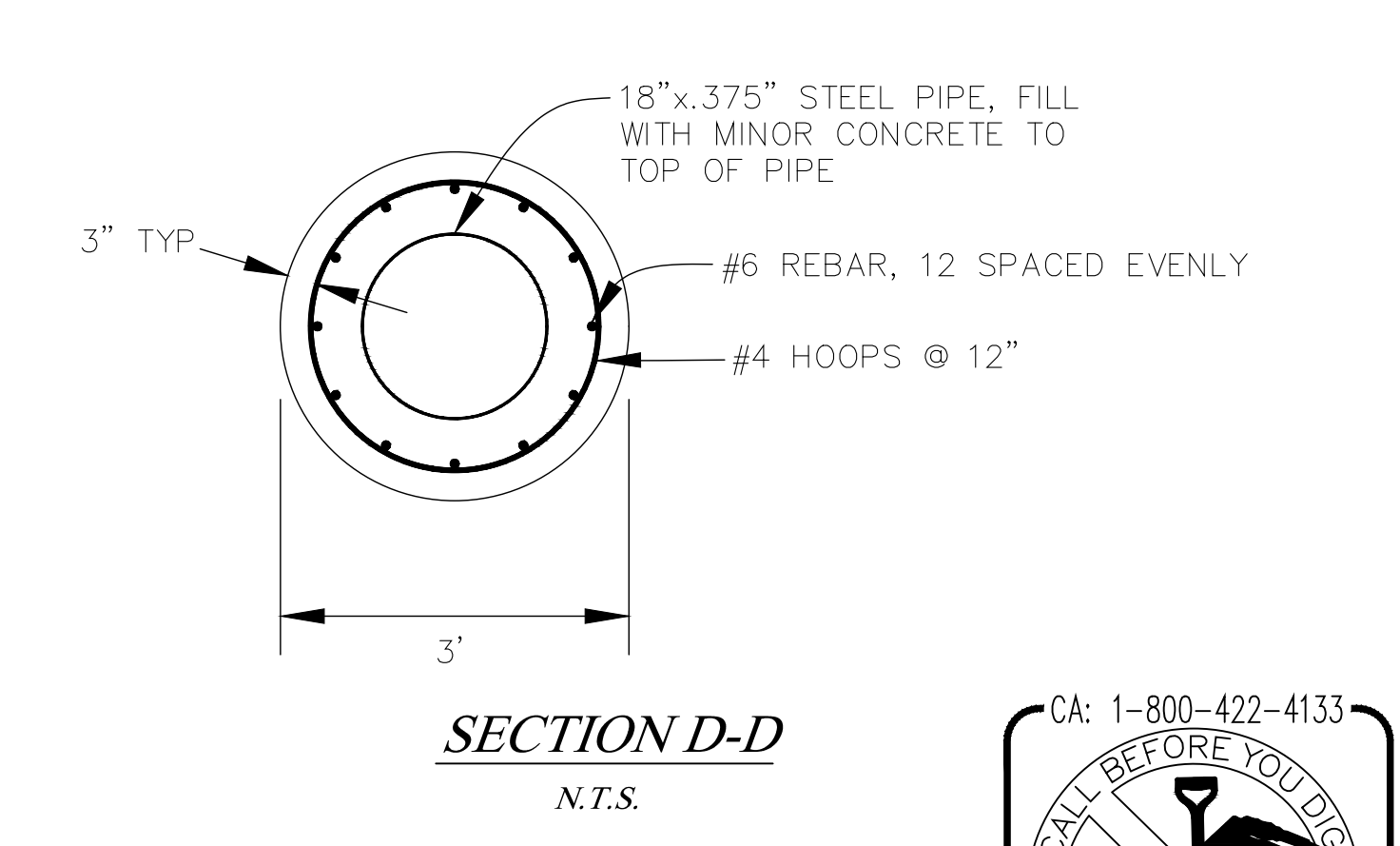
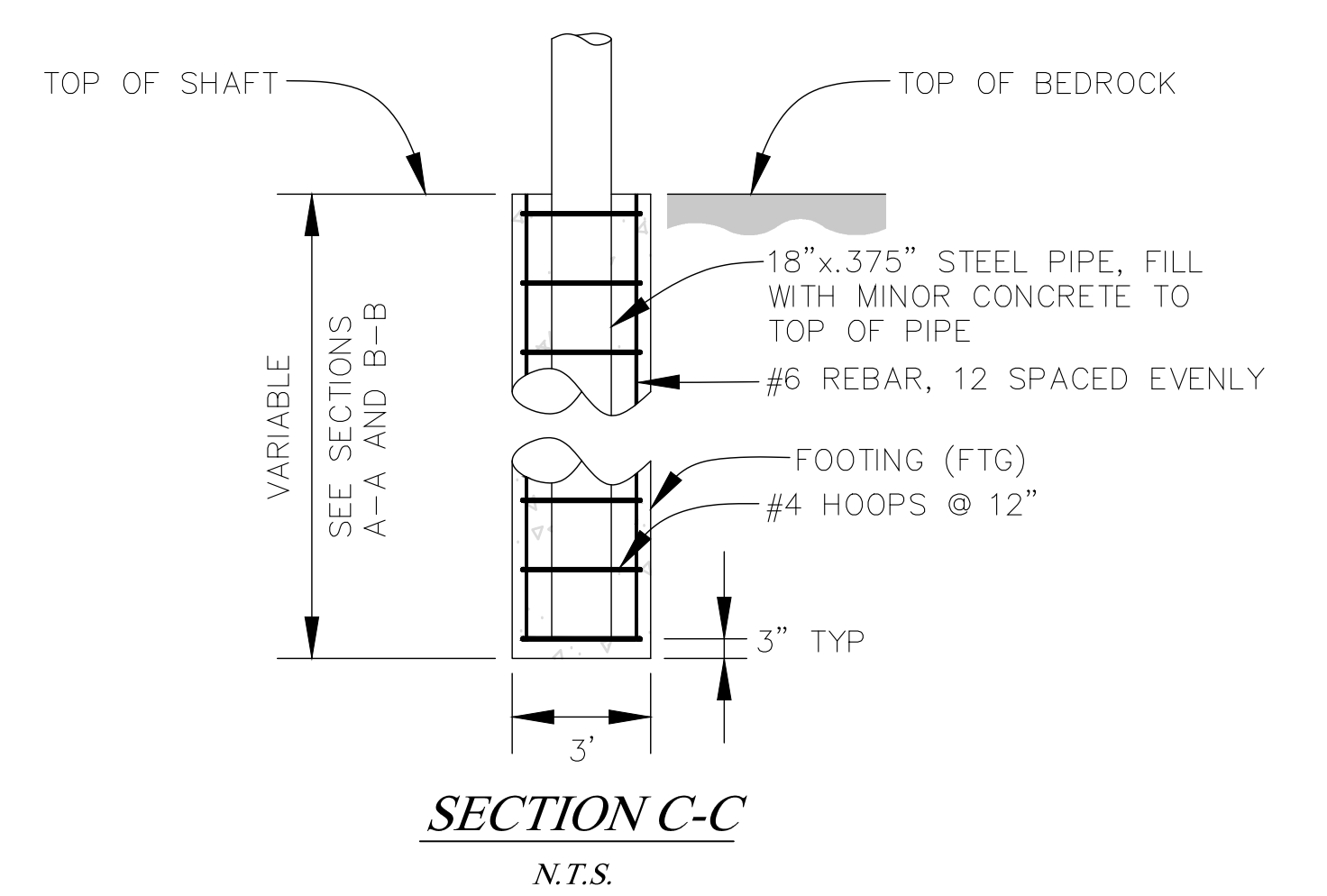
DESIGNED BY: LB
DRAWN BY: CF
CHECKED BY: HBL

O-1157

SHEET 13 OF 18
Filename: San Ysidro DB Plans.DWG

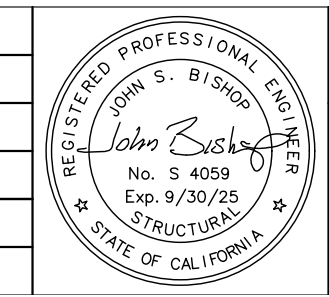


- NOTES:**
1. FOOTING CONCRETE SHALL CONSIST OF CONCRETE BACKFILL WITH NOT LESS THAN 564 POUNDS OF CEMENT PER CUBIC YARD OF MATERIAL PRODUCED.
 2. STEEL PIPE AND STRAPS SHALL CONFORM TO THE REQUIREMENTS OF ASTM A572 GRADE 60.
 3. MECHANICAL REINFORCEMENT SLEEVES SHALL BE USED WHEN NEEDED AND SHALL CONFORM TO THE REQUIREMENTS OF ASTM A285.
 4. PIPE THAT IS CUT SHALL BE CUT TO CLEAN, REGULAR LINES AND APPROVED BY THE ENGINEER PRIOR TO WELDING.
 5. STRAPS SHALL BE SHAPED TO MATCH CONTOURS OF THE TOP PIPE AND POST PIPE PRIOR TO WELDING.
 6. START OF PILE IS TOP OF BEDROCK.
- PILES 1A, 2A, 3B, AND 4B END 7' BELOW BEDROCK.
PILES 5A AND 1B END 12' BELOW BEDROCK.
PILE 3A ENDS 8' BELOW BEDROCK.
PILE 4A AND 2B ENDS 15' BELOW BEDROCK.



UNAUTHORIZED CHANGES OR USES:
THE SANTA BARBARA COUNTY FLOOD CONTROL & WATER CONSERVATION DISTRICT AND ITS EMPLOYEES WILL NOT BE RESPONSIBLE FOR, OR LIABLE FOR, UNAUTHORIZED CHANGES TO OR USES OF THESE PLANS. ALL PROPOSED CHANGES TO THE PLANS MUST BE PRESENTED IN WRITING TO THE DISTRICT AND APPROVED IN WRITING BY THE DISTRICT PRIOR TO IMPLEMENTATION OF ANY SUCH CHANGE OR USE.

REVISIONS			
NO.	DESCRIPTION	DATE	APR



DESIGNED BY: *John S. Bishop*
BISHOP ENGINEERING
02/12/2024
DATE

SANTA BARBARA COUNTY
FLOOD CONTROL AND
WATER CONSERVATION DISTRICT
130 E. VICTORIA STREET
SANTA BARBARA, CA 93101
(805) 568-3440



SAN YSIDRO DEBRIS
BASIN IMPROVEMENT PROJECT
AREA OF MONTECITO
SANTA BARBARA COUNTY, CALIFORNIA

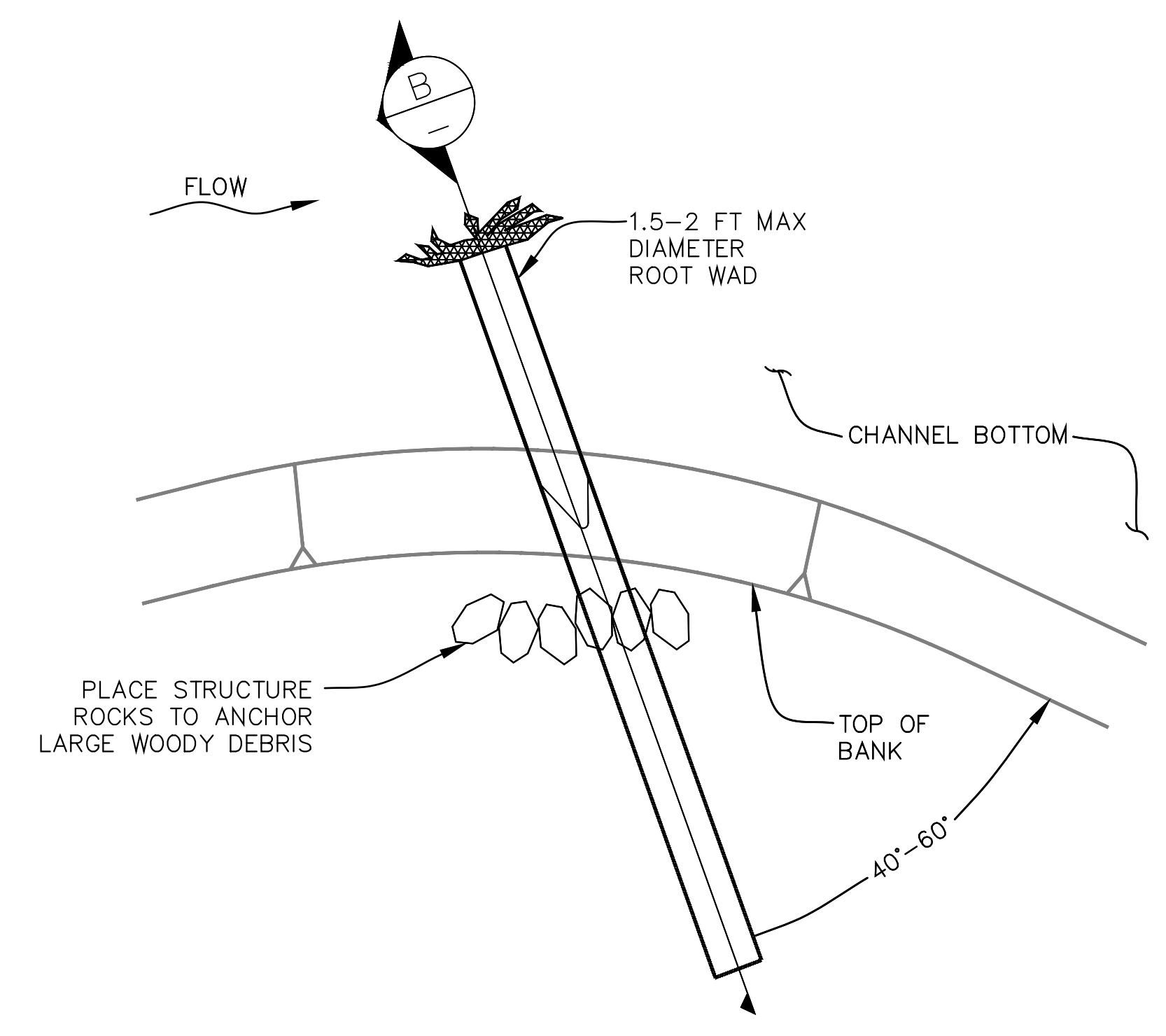
**DEBRIS BARRIER
STANDARD DETAIL**

DESIGNED BY: LB
DRAWN BY: CF
CHECKED BY: HBL

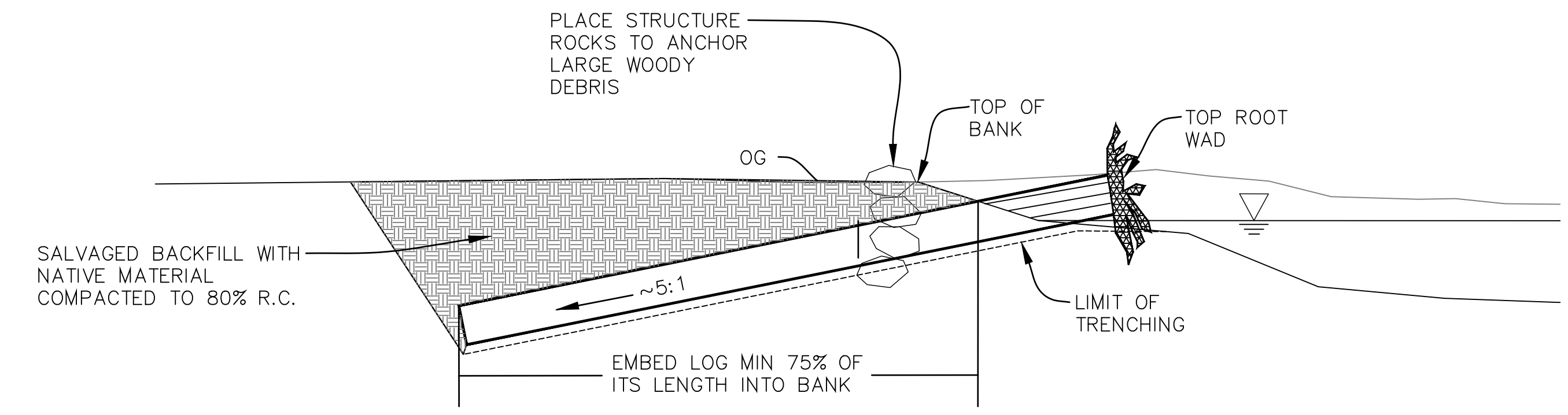
O-1157
SHEET 14 OF 18
Filename: San Ysidro DB Plans.DWG

NOTES:

1. LARGE WOODY DEBRIS TREES TO BE PROVIDED BY AND CONVEYED TO THE PROJECT SITE BY THE COUNTY.
2. LARGE WOODY DEBRIS FINAL PLACEMENT AND LOCATION TO BE FIELD DIRECTED BY COUNTY ENGINEER
3. STRUCTURE ROCKS TO BE GREATER THAN 4.0 FT IN DIAMETER AND SHALL BE SELECTED AND PLACED AS DIRECTED BY THE FIELD ENGINEER.



A PLAN VIEW-LARGE WOODY DEBRIS
- NOT TO SCALE



B SECTION VIEW-LARGE WOODY DEBRIS
- NOT TO SCALE



ALL UNDERGROUND UTILITIES SHOWN ARE PLOTTED BASED ON INFORMATION PROVIDED BY OTHERS, AND ARE APPROXIMATE. OVERHEAD UTILITIES ARE NOT SHOWN.

THE SANTA BARBARA COUNTY FLOOD CONTROL DISTRICT IS NOT RESPONSIBLE FOR THE ACCURACY OF THIS INFORMATION. CONTRACTOR SHALL NOTIFY UNDERGROUND SERVICE ALERT A MINIMUM OF TWO WORKING DAYS PRIOR TO COMMENCEMENT OF ANY EXCAVATION @ 1-800-422-4133.

UNAUTHORIZED CHANGES OR USES:
THE SANTA BARBARA COUNTY FLOOD CONTROL & WATER CONSERVATION DISTRICT AND ITS EMPLOYEES WILL NOT BE RESPONSIBLE FOR, OR LIABLE FOR, UNAUTHORIZED CHANGES TO OR USES OF THESE PLANS. ALL PROPOSED CHANGES TO THE PLANS MUST BE PRESENTED IN WRITING TO THE DISTRICT AND APPROVED IN WRITING BY THE DISTRICT PRIOR TO IMPLEMENTATION OF ANY SUCH CHANGE OR USE.

CONTRACTOR'S LICENSE
THE CONTRACTOR SHALL POSSESS THE CLASS (OR CLASSES) OF LICENSE AS SPECIFIED IN THE "NOTICE" ADVERTISING FOR BIDS.

REVISIONS			
NO.	DESCRIPTION	DATE	APR



DESIGNED BY: *Lesley Brooks* 02/12/2024
WRECO DATE

SANTA BARBARA COUNTY
FLOOD CONTROL AND
WATER CONSERVATION DISTRICT
130 E. VICTORIA STREET
SANTA BARBARA, CA 93101
(805) 568-3440



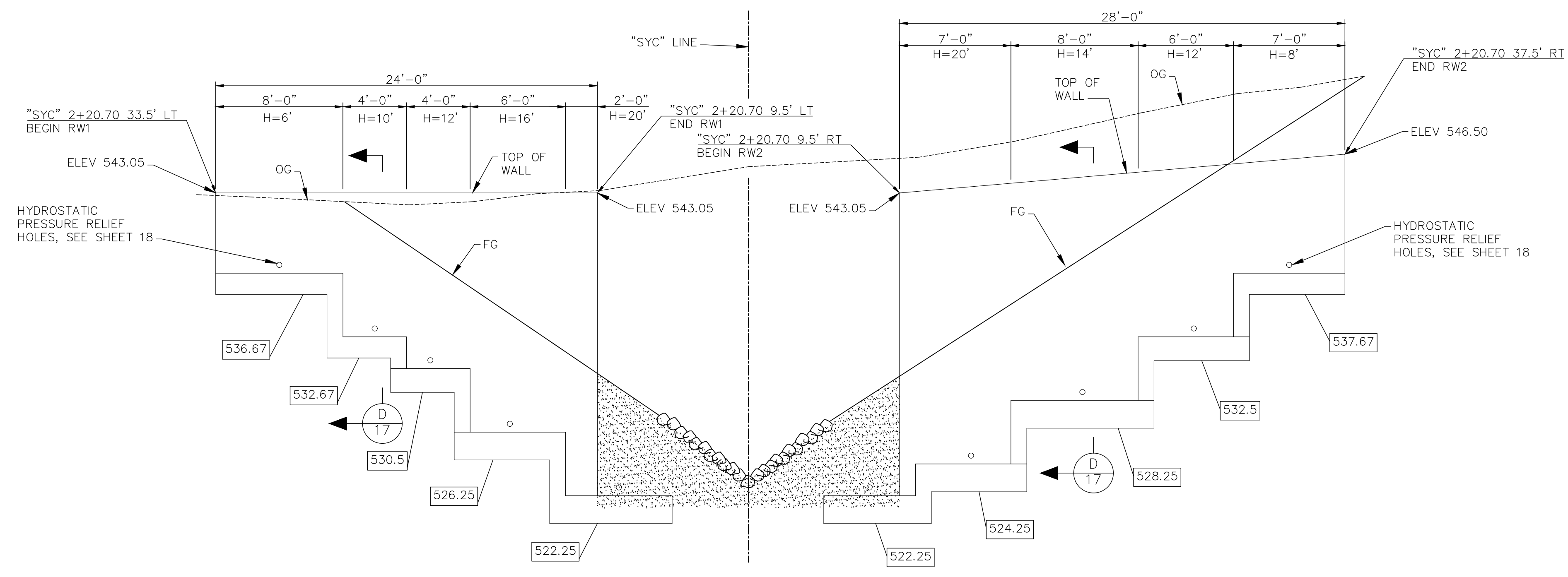
SAN YSIDRO DEBRIS
BASIN IMPROVEMENT PROJECT
AREA OF MONTECITO
SANTA BARBARA COUNTY, CALIFORNIA

LARGE WOODY
DEBRIS DETAIL

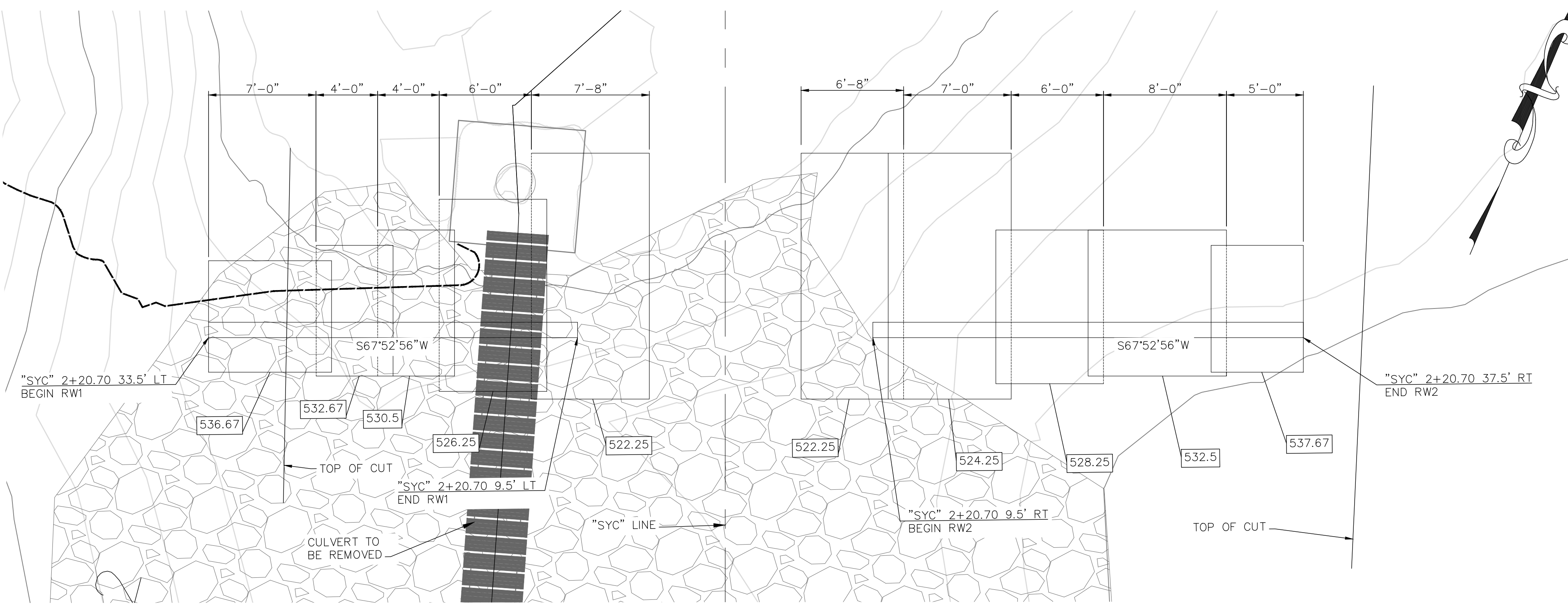
DESIGNED BY:
LB
DRAWN BY:
CF
CHECKED BY:
HBL

O-1157

SHEET 15 OF 18
Filename: San Ysidro DB Plans.DWG



ELEVATION
SCALE: 1" = 5'



PLAN
SCALE: 1" = 5'

NOTES:

1. FOR FOOTING STEP DETAILS, SEE RETAINING WALL DETAILS NO. 1 SHEET.
2. SEE NOTE 2 IN "TABLE OF REINFORCING STEEL, DIMENSIONS AND DATA" ON PAGE 17 FOR ADDITIONAL ©BAR INFORMATION.

LEGEND

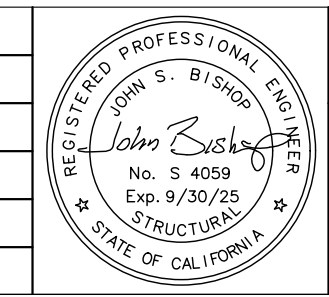
XXX.XX DENOTES BOTTOM OF FOOTING ELEVATION

CONTRACTOR'S LICENSE
THE CONTRACTOR SHALL POSSESS THE CLASS (OR CLASSES) OF LICENSE AS SPECIFIED IN THE "NOTICE" ADVERTISING FOR BIDS.

UNAUTHORIZED CHANGES OR USES:
THE SANTA BARBARA COUNTY FLOOD CONTROL & WATER CONSERVATION DISTRICT AND ITS EMPLOYEES WILL NOT BE RESPONSIBLE FOR, OR LIABLE FOR, UNAUTHORIZED CHANGES TO OR USES OF THESE PLANS. ALL PROPOSED CHANGES TO THE PLANS MUST BE PRESENTED IN WRITING TO THE DISTRICT AND APPROVED IN WRITING BY THE DISTRICT PRIOR TO IMPLEMENTATION OF ANY SUCH CHANGE OR USE.



REVISIONS			
NO.	DESCRIPTION	DATE	APR



DESIGNED BY: *John Bishop*
BISHOP ENGINEERING
02/12/2024
DATE

SANTA BARBARA COUNTY
FLOOD CONTROL AND
WATER CONSERVATION DISTRICT
130 E. VICTORIA STREET
SANTA BARBARA, CA 93101
(805) 568-3440



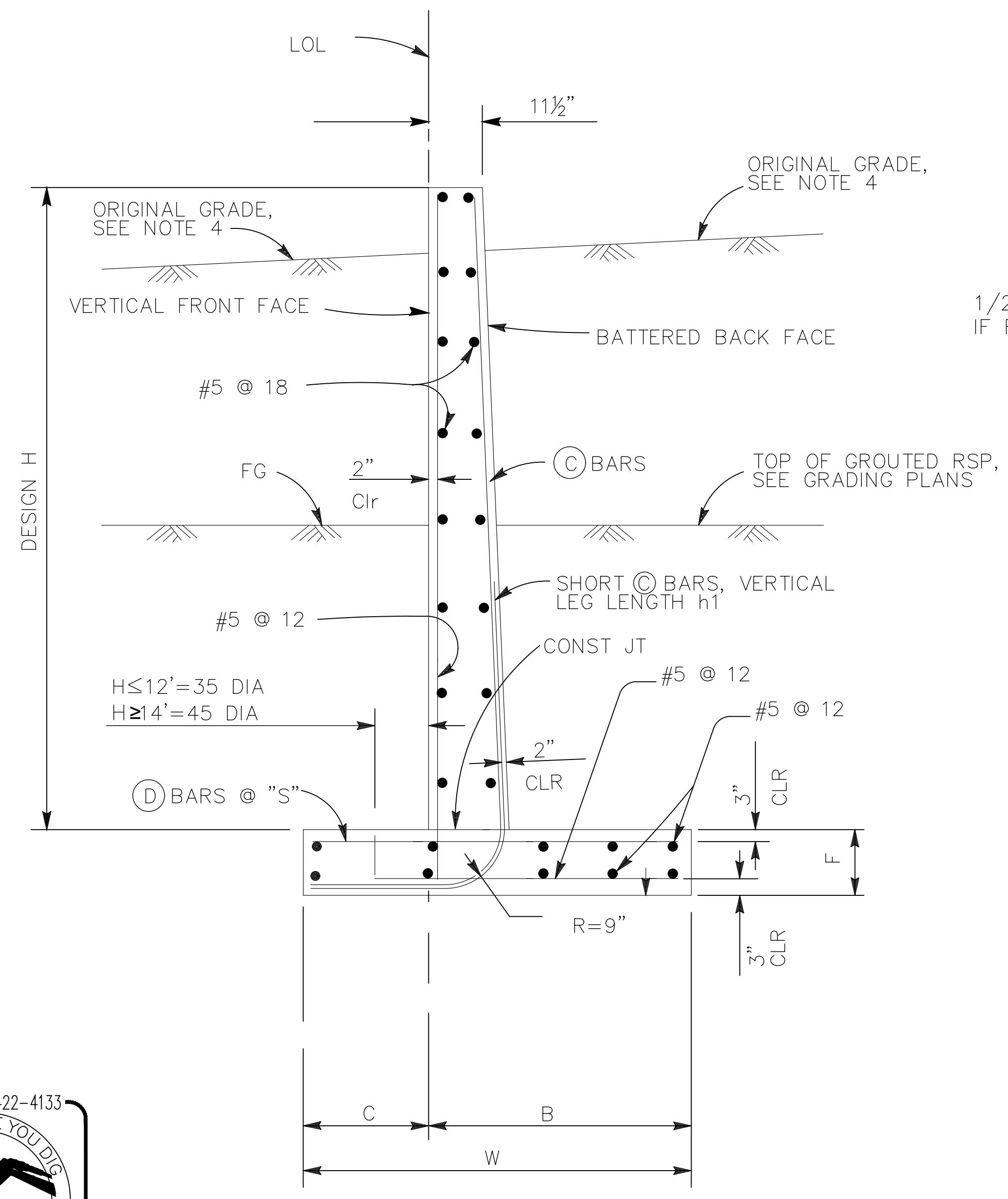
SAN YSIDRO DEBRIS
BASIN IMPROVEMENT PROJECT
AREA OF MONTECITO
SANTA BARBARA COUNTY, CALIFORNIA

WALL GENERAL PLAN

DESIGNED BY: JSB
DRAWN BY: SNC
CHECKED BY: JSB

O-1157

SHEET 16 OF 18
Filename: San Ysidro DB Plans.DWG



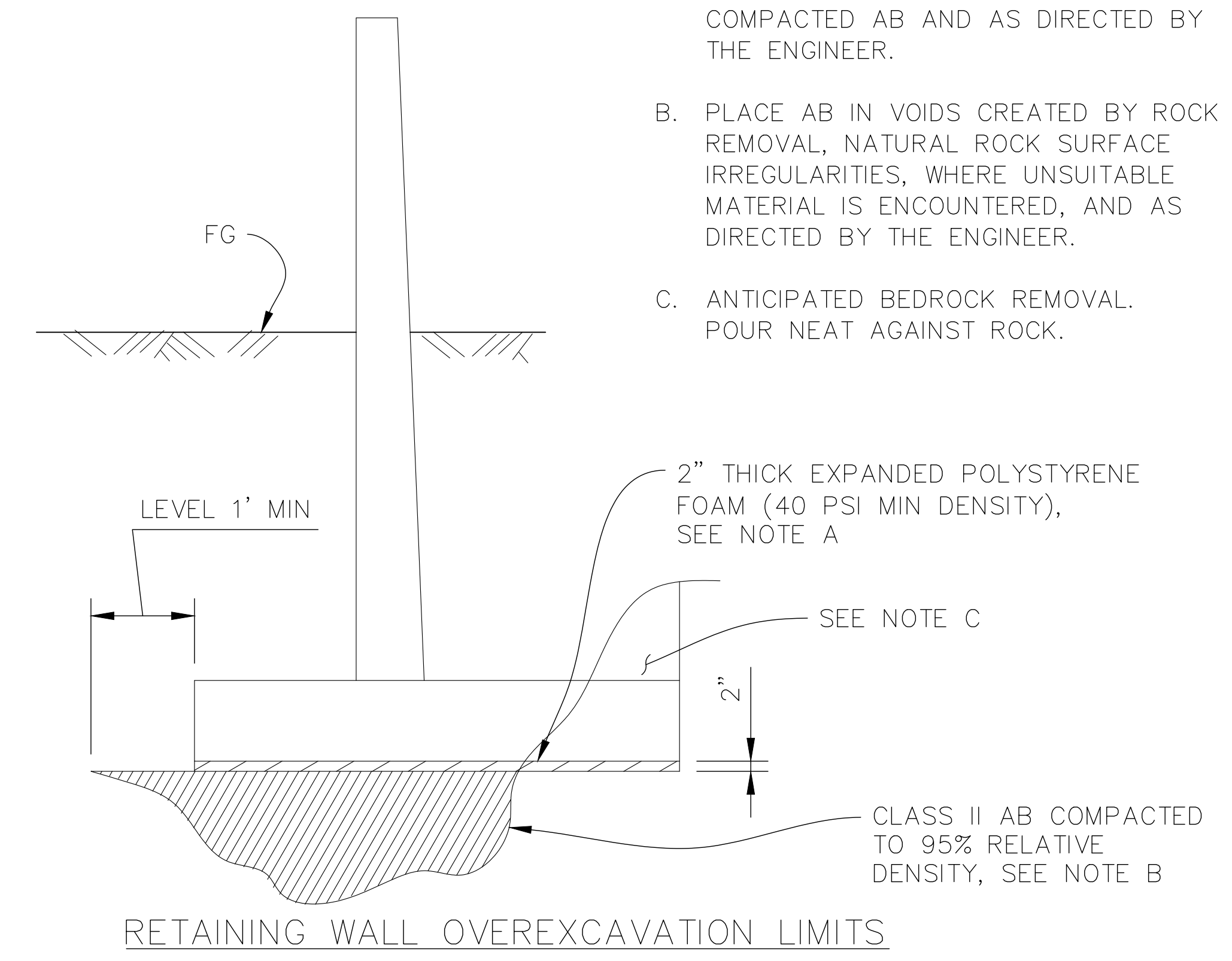
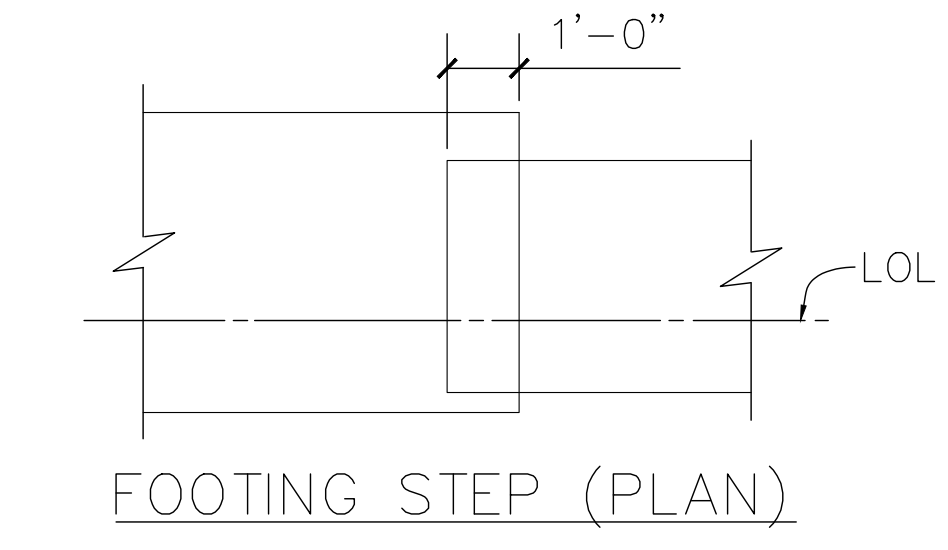
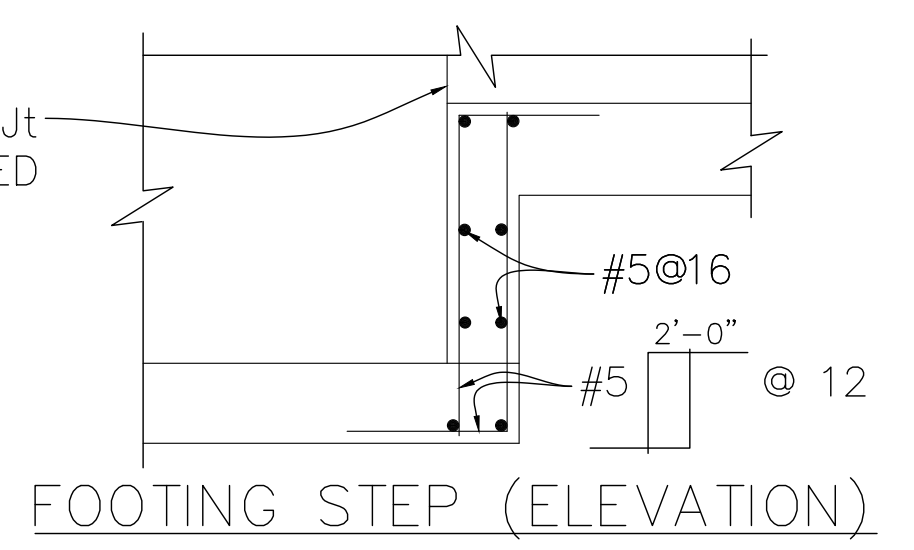
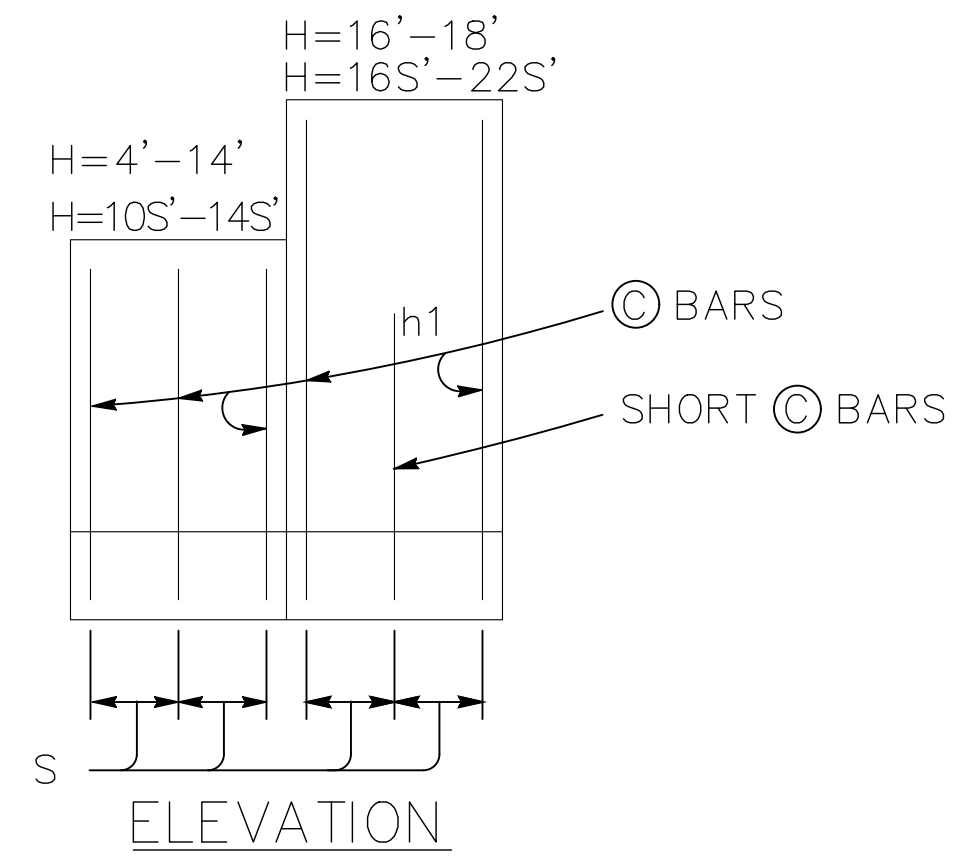
D SECTION D
17

PLACE CONCRETE IN TOE AGAINST UNDISTURBED MATERIAL, EXCEPT AS PERMITTED BY THE ENGINEER.



CONTRACTOR'S LICENSE
THE CONTRACTOR SHALL POSSESS THE CLASS (OR CLASSES) OF LICENSE AS SPECIFIED IN THE "NOTICE" ADVERTISING FOR BIDS.

UNAUTHORIZED CHANGES OR USES:
THE SANTA BARBARA COUNTY FLOOD CONTROL & WATER CONSERVATION DISTRICT AND ITS EMPLOYEES WILL NOT BE RESPONSIBLE FOR, OR LIABLE FOR, UNAUTHORIZED CHANGES TO OR USES OF THESE PLANS. ALL PROPOSED CHANGES TO THE PLANS MUST BE PRESENTED IN WRITING TO THE DISTRICT AND APPROVED IN WRITING BY THE DISTRICT PRIOR TO IMPLEMENTATION OF ANY SUCH CHANGE OR USE.



NOTES:

- A. INSTALL EXPANDED POLYSTYRENE FOAM OVER HORIZONTAL BEDROCK SURFACES, COMPACTED AB AND AS DIRECTED BY THE ENGINEER.
- B. PLACE AB IN VOIDS CREATED BY ROCK REMOVAL, NATURAL ROCK SURFACE IRREGULARITIES, WHERE UNSUITABLE MATERIAL IS ENCOUNTERED, AND AS DIRECTED BY THE ENGINEER.
- C. ANTICIPATED BEDROCK REMOVAL. POUR NEAT AGAINST ROCK.

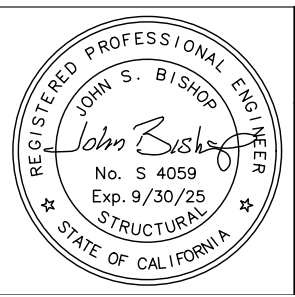
TABLE OF REINFORCING STEEL, DIMENSIONS AND DATA

DESIGN H	6'	8'	10'	12'	14'	16'	20'
W	6'-0"	7'-3"	8'-0"	9'-6"	10'-0"	12'-6"	16'-0"
C	2'-3"	2'-3"	2'-4"	2'-6"	3'-0"	3'-6"	4'-0"
B	3'-9"	5'-0"	5'-8"	7'-0"	7'-0"	9'-0"	12'-0"
F	1'-4"	1'-4"	1'-4"	1'-6"	1'-8"	1'-9"	1'-9"
BATTER	1/2:12	1/2:12	1/2:12	1/2:12	1/2:12	1/2:12	1/2:12
SPACING "S"	9"	9"	9"	9"	7"	6"	6"
C BARS	#6	#6	#6	#7	#7	#8	#10
D BARS	#5	#6	#6	#7	#7	#8	#10
h1 (SHORT C BAR LENGTH)	-	-	-	-	-	5'-9"	8'-0"
Ser: B', q'o	6.5, 1.0	6.2, 1.3	6.0, 1.6	6.3, 2.0	7.5, 2.1	8.6, 2.2	9.8, 2.3
Str: B', qo	5.0, 1.8	3.6, 2.3	3.0, 3.3	3.2, 4.0	4.3, 3.8	5.3, 3.7	6.4, 3.7
Ext I: B', qo	4.7, 1.5	3.9, 2.2	3.1, 3.4	2.8, 4.8	3.2, 5.3	3.6, 5.7	4.1, 6.1
Ext II: B', qo	2.7, 2.6	2.8, 3.1	2.9, 3.6	3.7, 3.6	5.2, 3.3	6.7, 3.1	8.3, 3.0

NOTES:

- 1. SPLICES IN © BARS SHALL NOT BE ALLOWED IN THE WALL STEM WITHIN A DISTANCE OF H/4 OR MINIMUM OF 1'-8" FROM TOP OF FOOTING.
- 2. SEE WALL ELEVATIONS ON SHEET 16 FOR LIMITS OF ADDITIONAL © BARS CONSISTING OF FULL HEIGHT #6 L BARS BUNDLED WITH STANDARD © BARS IN TABLE ABOVE.
- 3. HORIZONTAL LEGS OF © BARS IN STEM WALLS FOUNDED ON STRUCTURAL SLAB SHALL BE 4'-0" LONG AND PLACED PARALLEL WITH TRANSVERSE #9 @ 16 IN STRUCTURAL SLAB.
- 4. SEE CALTRANS STANDARD PLAN A62B FOR PAY LIMITS OF STRUCTURE EXCAVATION AND STRUCTURE BACKFILL FOR RETAINING WALL. SEE "RETAINING WALL OVEREXCAVATION LIMITS" DETAIL ON THIS SHEET FOR PAY LIMITS OF STRUCTURE EXCAVATION AND STRUCTURE BACKFILL WHERE ROCK REMOVAL IS REQUIRED.

REVISIONS			
NO.	DESCRIPTION	DATE	APR



DESIGNED BY: *John S. Bishop*
BISHOP ENGINEERING DATE: 02/12/2024

SANTA BARBARA COUNTY
FLOOD CONTROL AND
WATER CONSERVATION DISTRICT
130 E. VICTORIA STREET
SANTA BARBARA, CA 93101
(805) 568-3440



SAN YSIDRO DEBRIS
BASIN IMPROVEMENT PROJECT
AREA OF MONTECITO
SANTA BARBARA COUNTY, CALIFORNIA

DESIGNED BY: JSB
DRAWN BY: SNC
CHECKED BY: JSB

O-1157
SHEET 17 OF 18
Filename: San Ysidro DB Plans.DWG

WALL DETAILS 1

GENERAL DESIGN NOTES

SYMBOLS:

- Ser – SERVICE LIMIT STATE I
- Str – STRENGTH LIMIT STATE I
- Ext I – EXTREME EVENT LIMIT STATE I
- Ext II – EXTREME EVENT LIMIT STATE II
- B' – EFFECTIVE FOOTING WIDTH (ft)
- q'o – NET BEARING STRESS (ksf), OG ASSUMED TO BE FG AT TOE
- qo – GROSS UNIFORM BEARING STRESS (ksf)

DESIGN CONDITIONS:

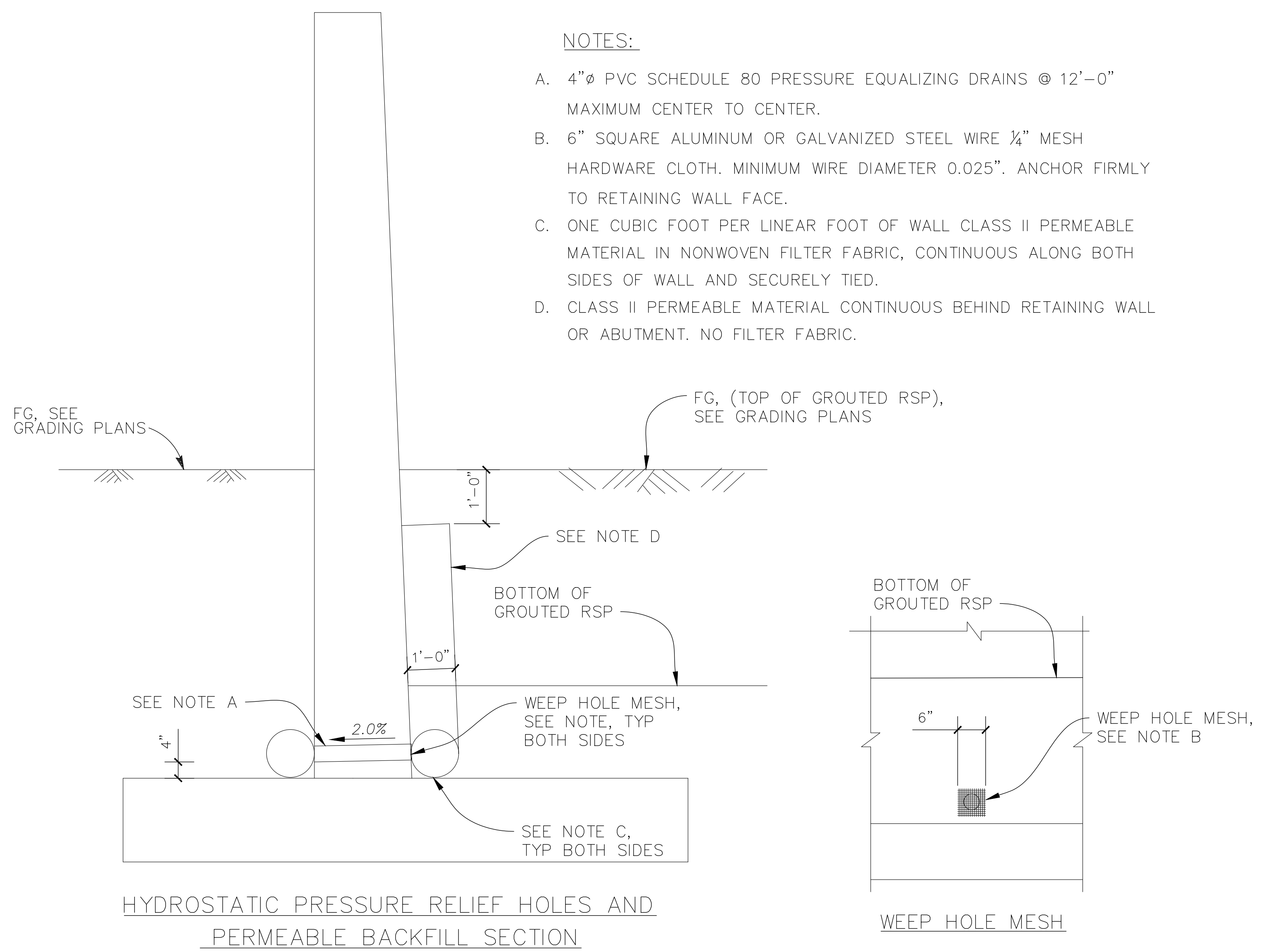
DESIGN H MAY BE EXCEEDED BY 6" BEFORE GOING TO THE NEXT SIZE. SPECIAL FOOTING DESIGN IS REQUIRED WHERE FOUNDATION MATERIAL IS INCAPABLE OF SUPPORTING BEARING STRESS LISTED IN THE TABLE.

DESIGN NOTES:

- DESIGN: AASHTO LRFD BRIDGE DESIGN SPECIFICATIONS, 4TH EDITION WITH CALIFORNIA AMENDMENTS
- WA: 400PSF LATERAL FLOW PRESSURE ON EXPOSED WALL SURFACE
- SOIL: $\phi = 34^\circ$
 $\gamma = 120$ pcf
- REINFORCED CONCRETE: $f'_c = 3,600$ psi
 $f_y = 60,000$ psi
- LOAD COMBINATIONS AND LIMIT STATES:
 - Service I $Q = 1.00(DC+EH+EV)+1.00WA$
 - Strength I $Q = \alpha DC + \alpha EH + \alpha EV + 1.00WA$
 - Extreme I $Q = 1.00DC + 1.00EH + 1.00EV + 1.00WA$
 - Extreme II $Q = \alpha DC + \alpha EH + \alpha EV + 1.00WA$
- Where:
 - Q: FORCE EFFECTS
 - α : 1.25 OR 0.90, WHICHEVER CONTROLS DESIGN
 - DC: DEAD LOAD OF STRUCTURE COMPONENTS
 - EH: HORIZONTAL EARTH PRESSURE
 - EV: VERTICAL EARTH PRESSURE
 - WA: WATER PRESSURE

NOTES:

- A. 4"Ø PVC SCHEDULE 80 PRESSURE EQUALIZING DRAINS @ 12'-0" MAXIMUM CENTER TO CENTER.
- B. 6" SQUARE ALUMINUM OR GALVANIZED STEEL WIRE ¼" MESH HARDWARE CLOTH. MINIMUM WIRE DIAMETER 0.025". ANCHOR FIRMLY TO RETAINING WALL FACE.
- C. ONE CUBIC FOOT PER LINEAR FOOT OF WALL CLASS II PERMEABLE MATERIAL IN NONWOVEN FILTER FABRIC, CONTINUOUS ALONG BOTH SIDES OF WALL AND SECURELY TIED.
- D. CLASS II PERMEABLE MATERIAL CONTINUOUS BEHIND RETAINING WALL OR ABUTMENT. NO FILTER FABRIC.



HYDROSTATIC PRESSURE RELIEF HOLES AND PERMEABLE BACKFILL SECTION

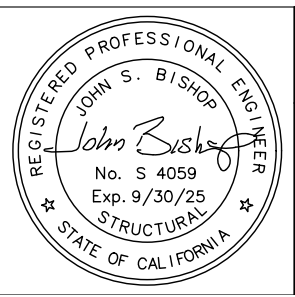
WEEP HOLE MESH



CONTRACTOR'S LICENSE
THE CONTRACTOR SHALL POSSESS THE CLASS (OR CLASSES) OF LICENSE AS SPECIFIED IN THE "NOTICE" ADVERTISING FOR BIDS.

UNAUTHORIZED CHANGES OR USES:
THE SANTA BARBARA COUNTY FLOOD CONTROL & WATER CONSERVATION DISTRICT AND ITS EMPLOYEES WILL NOT BE RESPONSIBLE FOR, OR LIABLE FOR, UNAUTHORIZED CHANGES TO OR USES OF THESE PLANS. ALL PROPOSED CHANGES TO THE PLANS MUST BE PRESENTED IN WRITING TO THE DISTRICT AND APPROVED IN WRITING BY THE DISTRICT PRIOR TO IMPLEMENTATION OF ANY SUCH CHANGE OR USE.

REVISIONS			
NO.	DESCRIPTION	DATE	APR



DESIGNED BY: *John S. Bishop*
BISHOP ENGINEERING
DATE: 02/12/2024

SANTA BARBARA COUNTY
FLOOD CONTROL AND
WATER CONSERVATION DISTRICT
130 E. VICTORIA STREET
SANTA BARBARA, CA 93101
(805) 568-3440



SAN YSIDRO DEBRIS
BASIN IMPROVEMENT PROJECT
AREA OF MONTECITO
SANTA BARBARA COUNTY, CALIFORNIA

WALL DETAILS 2

DESIGNED BY: JSB
DRAWN BY: SNC
CHECKED BY: JSB

O-1157

SHEET 18 OF 18
Filename: San Ysidro DB Plans.DWG