
Attachment B



PURCHASING REQUISITION

Date: 12/13/2016
 Fund: 2870
 Dept # / Name: 054/Public Works
 Ship To Cust#: 054-00-00-6000-1
 Bill To Cust#: 054-00-00-6000-0
 Requested By: Martin Wilder
 Phone: x8755
 REQ NO: FY1617-32

COMMODITY	Item	Description	Qty	Unit	Unit Price	Extension
	I	Aerzen Generation 5 Delta Blower		2	\$17,155	34,310.00
		Startup Services				3,500.00
		Freight				2,490.00
		Estimated Taxes				2,659.00
		TOTAL				42,959.00
		Vendor quote attached				

SUPPLIER	Suggested Supplier (name, address, phone, fax, contact) / Comments / Special Instructions	Regulatory Compliance Statement
	<p>AERZEN USA CORPORATION 108 INDEPENDENCE WAY COATESVILLE, PA 19320</p> <p>Office: 717-768-0604</p> <p>Contact: Kevin Grant kgrant@aerzenusa.com</p> <p>Purchasing Supplier No.</p>	<p>Circle/Check one</p> <p><u>Justification:</u> <input type="checkbox"/> Oral Quote <input type="checkbox"/> Written Quote <input type="checkbox"/> Price List <input type="checkbox"/> Web Search</p> <p><u>Debarred Vendor:</u> <input type="checkbox"/> No</p> <p><u>Sole-Source:</u> <input type="checkbox"/> No <input type="checkbox"/> Yes</p> <p><u>Procedure:</u> <input type="checkbox"/> County <input type="checkbox"/> Federal</p> <p><u>Insurance Current:</u> <input type="checkbox"/> Yes <input type="checkbox"/> No <input type="checkbox"/> N/A::</p>

FIN DATA	Fund.	Dept No	Acct No.	Amount	Program	OrgUnit	Project	I hereby certify there are sufficient funds in the budget indicated for payment of the above. Is this purchase being made with Federal Funds? Circle/Check one: <input type="checkbox"/> Yes <input checked="" type="checkbox"/> No <i>Martin Wilder</i> Authorized Signature
	2870	054	8300	42,959.00	6000		020000	

PURCHASING ONLY	CommCode:	Order No:	Date	Time	Activity
	Bid No:	Out:	Due:		
	FOB: <input type="checkbox"/> Dest <input type="checkbox"/> Dest Prepay & Add <input type="checkbox"/> Dest Freight Collect <input type="checkbox"/> Origin <input type="checkbox"/> Origin Prepay & Add <input type="checkbox"/> Origin Freight Collect				
	Price Source:				
	Terms:	DelvDate:			
	FA Tags: Count: issued # thru #				
	Completed: Buyer Initials: Date:				

AERZEN USA CORPORATION

108 Independence Way
Coatesville, PA 19320
Tel. (610) 380-0244 ♦ Fax. (610) 380-0278



AERZEN

AERZEN Reference Number: E09-25623
Re: Laguna CSD

2-Dec-16

Page 1 of 2

To: Jeremy Chaja Firm - Laguna County Sanitation District email - JChaja@co.santa-barbara.ca.us phone - (805) 934-6282
AERZEN Representative Info: Name - Jeremy Neill, P.E. of Coombs-Hopkins e-mail - jeremy@coombshopkins.com phone - (760) 931-0555

AERZEN Proposal Prepared By: Name - Kevin Grant email - kgrant@aerzenusa.com phone - (717) 768-0604
AERZEN Regional Manager: Name - Kevin Grant e-mail - kgrant@aerzenusa.com phone - (717) 768-0604

This scope of supply does NOT include the following items: MCC starter, VFD, External Controls, Isolation Valves and Installation Hardware.

Model: GM 25S

Performance Data:

		Design
Intake volume, handled at intake condition	icfm	524
Volume handled at normal condition	scfm	480
Relative humidity	Φ	60%
Intake pressure (abs.)	psia	14.60
Pressure difference	psig	6.0
Intake temperature	°F	97
Discharge temperature	°F	173
Main rotor speed	rpm	3,065
Motor Speed	rpm	1,770
Power consumption at coupling	bHp	17.9
Motor Rating	HP	25
Tolerance on flow & power	± 5 %	
Sound pressure level w/o enclosure	dB(A)	93
Sound pressure level w/ enclosure	dB(A)	72
measured in free field at 3ft. distance from the outline of the unit (tol. ± 2 dB(A)).		

Weights & Dimensions:

Discharge connection	ANSI EPDM	4"
Blower pkg weight	lbs.	1,711
Envelope dim.*	LxWxH in.	53 x 50 x 59
Cooling Fan	shaft driven	shaft driven

* non binding dimensions includes, inlet filter silencer, relief valve, check valve, and flex connector

AERZEN USA CORPORATION

108 Independence Way
Coatesville, PA 19320
Tel. (610) 380-0244 ♦ Fax. (610) 380-0278



AERZEN

AERZEN Reference Number: E09-25623
Re: Laguna CSD

2-Dec-16

Page 2 of 2

GM 25S

Aerzen Generation 5 Delta Blower Package consists of the following components, assembled in our factory.

- 1 Aerzen Rotary Lobe Blower GM Series
- 1 base frame with integrated reactive type silencer
- 1 hinged motor support as automatic belt tensioning device
- 1 set of vibration isolating mounts
- 1 intake filter-silencer
- 1 narrow V-belt drive with guard
- 1 spring loaded pressure relief valve
- 1 discharge manifold with externally accessible integrated check valve
- 1 flexible connector with clamps for schedule 40 pipe, discharge

Scope of Supply

- 2 compact blower package as listed above
- 2 electric motor per NEMA, TEFC, 460v / 60Hz, premium efficiency
- 2 set of instrumentation (2.5" gauges: P1, P2)

Onsite Manufacturer Services

- 1 trip(s), 2 day(s) total installation inspection, startup & testing

Freight & Packaging

- 2 freight to jobsite

SUBTOTAL for	2	unit(s)	\$34,310.00
		7.75% sales tax:	\$2,659.00
		startup services:	\$3,500.00
		freight:	\$2,490.00
Total:			\$42,959.00

Pricing: DAP Jobsite

Terms: This offer is subject to Aerzen Standard Terms and Conditions (A2-001-USA January 2009)

Submittals: 3 weeks after receipt of Purchase Order

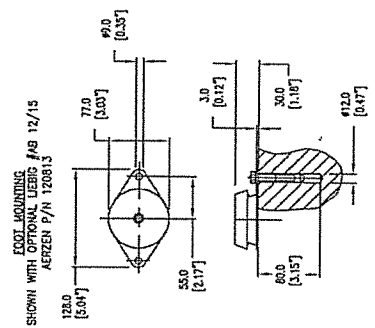
Delivery: presently approx. 3 months upon technical release by customer

Warranty: 24 months after start up or 30 months after delivery, which ever comes first on Aerzen package*

*Maintenance must be performed per the Instruction Manual using Aerzen spare parts.

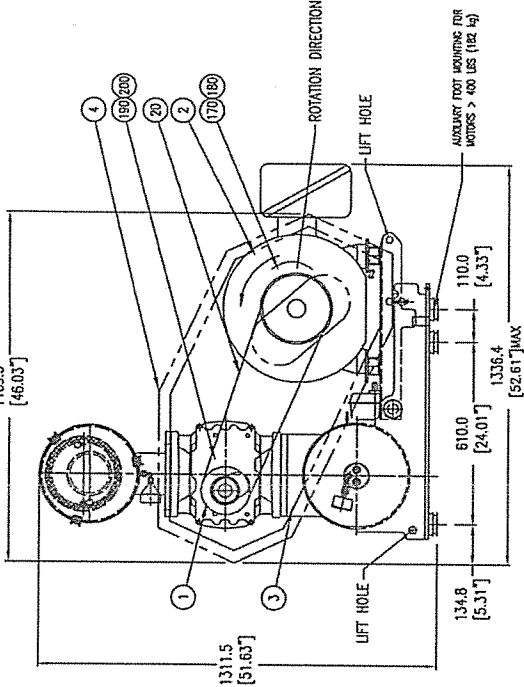
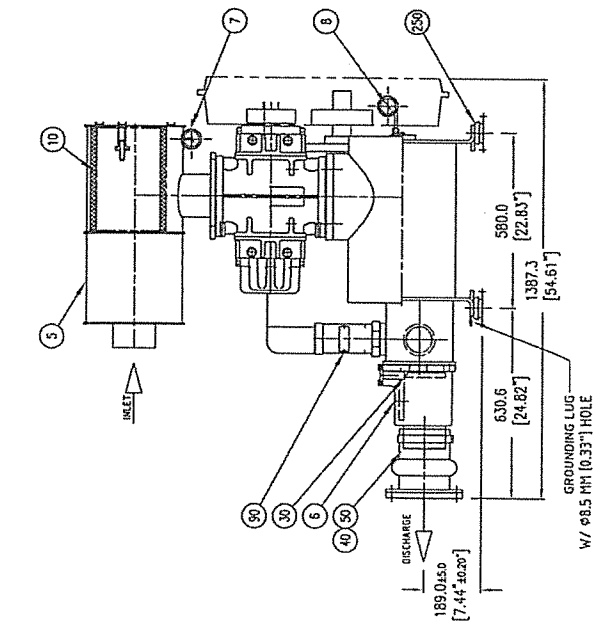
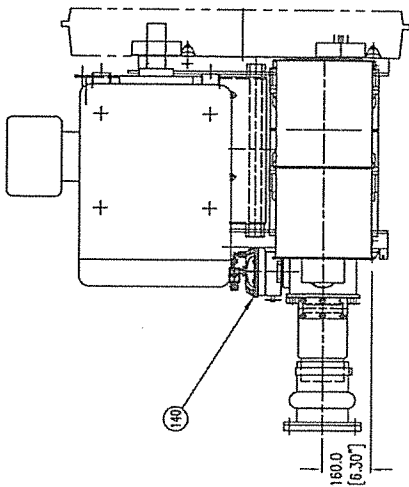
*Equipment not manufactured by Aerzen will carry the manufacturer's standard warranty.

ITEM NO.	DESCRIPTION
1	BLOWER
1	MOTOR, SHOWN WITH J651-F2 FRAME
3	BASE FRAME / SILENCER
4	BELT GUARD
5	INLET FILTER/SILENCER ASSEMBLY
6	DISCHARGE HOUSING
7	FILTER MAINTENANCE INDICATOR
8	DISCHARGE PRESSURE GAUGE
10	INLET FILTER ELEMENT (SEE JOB SPECIFIC DATA)
20	DRIVE BELTS
30	DRE-WAY VALVE
40	EXPANSION JOINT- 5" 150# ANSI FLANGE
50	CLAMP FOR EXPANSION JOINT
90	SAFETY RELIEF VALVE (OPTIONAL)
140	UNLOADING VALVE
170	MOTOR SHEAVE BUSHING
180	MOTOR SHEAVE
190	BLOWER SHEAVE BUSHING
200	BLOWER SHEAVE
250	VIBRATION ISOLATORS (SEE JOB SPECIFIC DATA)



FOOT MOUNTING
SHOWN WITH OPTIONAL LEGS #18 12/15
AERZEN P/N 120813

PLAN VIEW



FRONT VIEW

NOTES

1. TOLERANCE ON DIMENSIONS = ±12mm [0.5"]
2. MESH: BLOWER PACKAGE 359 Kg. (791.5 lbs.)
MOTOR _____
TOTAL WEIGHT _____
3. CUSTOMER PIPING TO BE INDEPENDENTLY SUPPORTED
4. LIFTING OF PACKAGE: LOCK MOTOR HINGE IN DOWN POSITION
INSERT SHOCKERS IN SHOWN LIFT HOLES & LIFT WITH
STURABLE CHAIN EXPANDER BARS MAY BE REQUIRED TO
PREVENT DAMAGE
5. ALLOW APPROX. 800MM [31"] FREE SPACE AROUND UNIT
FOR MAINTENANCE
6. FOR ADDITIONAL INFORMATION SEE:
JOB SPECIFIC DATA PACKAGE

NOTICE:

THIS DRAWING AND ALL INFORMATION HEREON IS THE PROPERTY OF AERZEN USA, INC. AND ITS SUBSIDIARIES AND SHALL NOT BE REPRODUCED BY ANY MEANS IN WHOLE OR IN PART OR USED AS THE BASIS FOR MANUFACTURE WITHOUT WRITTEN PERMISSION.

AERZEN USA CORP.
10400 155th Ave. N. #100
Eden Prairie, MN 55324-3778 USA
TEL: (612) 358-9274 FAX: (612) 358-9278

CLASS: 1

GM 255 GENERATION 5
DN-125 PRESSURE
ANSI DISCHARGE CONNECTION

DATE: 05/25/2010
DRAWN BY: C.D.E.
CHECKED BY: J.P.S.
SCALE: MODEL SPACE 1:1
REVISION NO.: A
SHEET: 1/1

GB-005559



PURCHASING REQUISITION

Date: 12/13/2016
 Fund: 2870
 Dept # / Name: 054/Public Works
 Ship To Cust#: 054-00-00-6000-1
 Bill To Cust#: 054-00-00-6000-0
 Requested By: Martin Wilder
 Phone: x8755
 REQ NO: FY1617-31

COMMODITY	Item	Description	Qty	Unit	Unit Price	Extension
	I	GridBee Air-Powered Mixing Equipment for LCSD Plant	40		\$3,550	142,000.00
		Shipping				4,500.00
		Estimated Taxes				11,005.00
		TOTAL				157,505.00
		Vendor quote attached				0

SUPPLIER	Suggested Supplier (name, address, phone, fax, contact) / Comments / Special Instructions	Regulatory Compliance Statement
	MEDORA CORPORATION 3225 Highway 22 Dickinson, ND 58601 Phone: 866-437-8076 Contact: Darren Tessier darren.t@medoraco.com Purchasing Supplier No.	Circle/Check one Justification: <input type="checkbox"/> Oral Quote <input type="checkbox"/> Written Quote <input type="checkbox"/> Price List <input type="checkbox"/> Web Search Debarred Vendor: <input type="checkbox"/> No Sole-Source: <input type="checkbox"/> No <input type="checkbox"/> Yes Procedure: <input type="checkbox"/> County <input type="checkbox"/> Federal Insurance Current: <input type="checkbox"/> Yes <input type="checkbox"/> No <input type="checkbox"/> N/A:

FIN DATA	Fund.	Dept No	Acct No.	Amount	Program	OrgUnit	Project
	2870	054	8300	157,505.00	6000		020000

I hereby certify there are sufficient funds in the budget indicated for payment of the above.
 Is this purchase being made with Federal Funds?
 Circle/Check one: Yes No
Martin Wilder
 Authorized Signature

PURCHASING ONLY	CommCode:	Order No:	Date	Time	Activity	
	Bid No:	Out:	Due:			
	FOB: <input type="checkbox"/> Dest <input type="checkbox"/> Origin	<input type="checkbox"/> Dest Prepay & Add <input type="checkbox"/> Origin Prepay & Add	<input type="checkbox"/> Dest Freight Collect <input type="checkbox"/> Origin Freight Collect			
	Price Source:					
	Terms:	DelvDate:				
	FA Tags: Count:	issued #	thru #			
	Completed: Buyer Initials:	Date:				



Medora Corporation
3225 Highway 22 • Dickinson, ND 58601
Tel: (701) 225-4495 • www.MedoraCo.com



Quotation: GridBee Air-Powered Mixing Equipment for the Laguna CSD

Date: December 2, 2016

Project #: 8346

To: Jeremy Chaja
Chief Plant Operator
Laguna County Sanitation District
JChaja@co.santa-barbara.ca.us
805-934-6282

From: Jeremy Neill, P.E., The Coombs-Hopkins Company, Medora Corp local representative
jeremy@chewater.com

Harvey Hibel, Medora Corporation West U.S. Manager
harvey.hibl@medoraco.com • 303-887-5323

Darren Tessier, Medora Corporation Sales Engineering Dept., Dickinson, ND
darren.t@medoraco.com • 866-437-8076

Mr. Chaja,

Thank you for requesting this basin evaluation and quotation. We are very pleased to work with you to provide high-quality wastewater mixing equipment for your Equalization Basins. This project fits our capabilities well, and we will do everything possible to ensure your project flows smoothly and meets your goals and expectations. Please contact us with any questions.

Best regards,

Darren Tessier
Medora Corporation

PROJECT DESCRIPTION

1. Location of Facility

Laguna County Sanitation District - Equalization Basins - Santa Maria, CA

2. Description of Facility & Project Objectives

This plant has two equalization basins, one for raw sewage influent and one for a mix of secondary effluent and raw sewage influent. The west basin has an operating surface area of 30,000 square feet; the east basin has an operating surface area of 20,000 square feet. The basins are operated at variable liquid levels, usually between a 4 and 6-foot water surface level above basin floors. Thorough mixing is needed in these basins, which currently have grids of coarse bubble "tube style" diffusers installed for mixing in each basin. There are three PD blowers, one dedicated for each basin, and the third is an installed spare that can be used for either basin. However, it appears that one blower unit should be able to feed the AP mixers in both basins if only one blower is needed supply the necessary CFM.

3. Customer Objectives

Primary Objectives: To provide thorough mixing in order to keep solids suspended in the Equalization Basins. In addition, to eliminate the need to install a high-horsepower mechanical mixing system.

4. Medora Corporation Recommendation/System Design for this Installation

To meet the above objectives, we recommend the installation of forty (40) GridBee model AP2000P pedestal air-powered mixers, 25 in the West Basin and 15 in the East Basin. Customer is to provide placement, air hose, and tethering of the AP mixers.

Equipment Note: Each AP2000P mixer is 32" in diameter x 22" tall and uses 3 to 12 CFM.

Recommended Air Flow: For this application we recommend for each mixer 10 to 12 CFM at 4.5 to 5 psi (400 to 480 CFM total); limited to mixing depths of 6 feet or less.

Water Level Note: The recommended model requires 2.5 feet of water to effectively circulate; however, if the water level drops below this, the machines can run dry, in shallow water or drained conditions, without damage.

Caution: Air powered mixers should not be used in enclosed tanks or other areas where methane or other explosive gas could build up. Some gases can explode when combined with air.

5. Proposed Mixer Locations:



The mixers are not drawn to scale, and final placement will be determined prior to installation.

PRICING

6. Pricing

GridBee AP Series Mixers

Quantity	Equipment Description	Cost Each	Equipment Total
40	GridBee model AP2000 pedestal mixers:	\$3,550	\$142,000
Equipment Subtotal:			\$142,000
Applicable Taxes (<i>estimated tax rate 7.75% - please verify before purchase</i>):			\$11,005
Shipping:			\$4,500
Equipment and Shipping Total:			\$157,505

Options for Air-Powered Models

1.0" Floating Air Hose	1.0" Floating Air Hose. Air Hose Max CFM at 500' is 15 cfm. (customer may supply their own):	\$250 per 100'
1.0" Sinking Air Hose	1.0" Sinking Air Hose. Air Hose Max CFM at 500' is 15 cfm. (customer may supply their own):	\$600 per 100'
Factory Delivery and Installation	Installation is within the capability of most cities/contractors.	Call for Pricing

TERMS

7. General Provisions

A. Material Supplier only. This quotation is to supply materials only. No contracting or construction work of any type is being offered or will be performed by Medora Corporation (Medora) at the jobsite or at any Medora location or factory.

1) To order the materials in this quotation, the purchaser should use the same type of purchase order as would be used to order other materials; for example, a desk or a forklift. Please do not attempt to order the equipment quoted here with a "contractor" or "subcontractor" agreement of any sort, because Medora is strictly a material supplier, not a contractor, and would have to reject that type of agreement.

2) The US Department of Labor clearly defines a Material Supplier, such as Medora, and its allowable activities. All activities by Medora factory personnel to transport, place and start up the Medora equipment are incidental to Medora being a Material Supplier, and Medora will not perform contracting or construction work of any type for any project. Also, no local, state, or federal laws regarding contractors or construction projects, or Davis Bacon or similar reporting requirements, are applicable to this quotation because Medora is not a contractor and does not perform any construction activities.

3) It is the responsibility of the purchaser of Medora's equipment to determine in advance whether there are any contracting or construction activities required in order for Medora's equipment to be made operational. Usually there aren't any such activities; but if there are, it is the purchaser's sole responsibility, at its sole cost, to perform all of those activities in advance of Medora's equipment arriving at the jobsite.

B. Assumptions: This quotation may be based on worksheets, calculations or other information that has been provided by the City. The City should bring to Medora's attention any discrepancies, errors in data, or false assumption that Medora may have made while preparing this quotation.

C. Expiration: This quotation expires in 90 days, or on the date of any new quotation for this project, whichever is sooner.

D. Delivery Time: Delivery and placement are scheduled at time of order, and is usually between 4 and 8 weeks.

E. Payment Terms: For a federal, state, or local government purchaser with a good credit rating, full payment is due in US dollars 30 days after invoice date, which is generally the date when the goods leave the Medora factory. For a non-government purchaser, full payment must be made by credit card or cashier's check before the goods leave the Medora factory though, in some cases, based on availability of a payment bonding or a bank Letter of Credit, 30 day credit terms may be extended upon special request by the purchaser. If there are any issues with these payment terms, please do not rely on this quotation until the issues have been resolved with Medora.

F. Add for Taxes and Any Governmental Fees: Except as indicated above, no taxes, tariffs or other governmental fees are included in the quote shown above, nor are there any costs added for special insurance coverage the customer may require. It is the customer's responsibility to pay all local, state, and federal taxes, including, sales and use taxes, business privilege taxes, and fees of all types relating to this sale, whether they are imposed on either Medora or the customer, or whether these taxes and fees are learned about after the customer orders the equipment. The customer's purchase order should indicate any taxes or fees due on equipment and/or services, and whether the customer will pay them directly to the governing body or include the tax payment with the purchase for Medora to submit them to the governing body.

G. Add for Special Insurance Requirements: Medora Corporation maintains adequate liability and workman's compensation insurance to generally comply with its requirements for doing business in all fifty U.S. states, and will provide at no charge certificates of insurance when requested. However, if additional insurance or endorsements beyond the company's standard policy are required by the customer, then the costs of those additional provisions and/or endorsements will be invoiced to the customer after the costs become known.

H. Add for Special Training, Safety, Signage, or Other Requirements: Medora has a very strong safety training program for its employees. If any special training classes for Medora personnel are required by the customer, please notify Medora well in advance. The cost of this training will be added to this quotation or invoiced to the customer separately. The same applies to any other special requirements the customer may have, including providing of project signage or any other requirement.

I. Safe and Accessible Conditions Required. This quotation is based on the best information made available to us by the above date. If this equipment is ordered, Medora's engineering and placement team will need detail information and photographs to plan the placement. If the detailed information changes the installation scope significantly, Medora reserves the right to withdraw or alter this quotation, even if the equipment has already been ordered. To avoid surprises, the City/Customer should supply detailed information and photos as soon as possible. To ensure the safety of Medora's placement crews, it is the City's/Customer's responsibility to make sure that all obstacles located at or near the site are removed before the placement and/or servicing of this equipment.

J. Customer to Follow Medora's Maintenance and Safety Guidelines: The customer agrees to follow proper maintenance, operating, and safety instructions regarding the equipment as contained in the safety manual that accompanies the equipment or is sent to the customer's address.

K. Regulatory Compliance. The customer must comply with all applicable Federal and State governmental regulations. It is the customer's sole responsibility to inquire about governmental regulations and ensure that GridBee and SolarBee equipment is deployed and maintained so as to remain in compliance with these regulations and guidelines, and to hold Medora harmless from any liability caused by non-compliance with these regulations and guidelines.

L. Warranty. Medora Corporation has the best parts and labor warranties that we are aware of in the industry. The details of the Warranty which applies to this project are either attached to this document or are available at: <http://wastewater.medoraco.com/wastewater/product-information>

8. To Accept This Quotation

To order the equipment, please issue a purchase order to Medora Corporation, 3225 Hwy. 22, Dickinson, ND 58601. The purchase order can be mailed to the address above, faxed to 866-662-5052, or emailed to the home office at orderprocessing@medoraco.com. The purchase order should refer to the date of this quotation, and will be assumed to include this entire quotation by reference.

If purchase orders are not utilized, please sign and date below, provide billing information, and fax to 866-662-5052 or email to orderprocessing@medoraco.com.

Signing below acknowledges acceptance of this quotation:

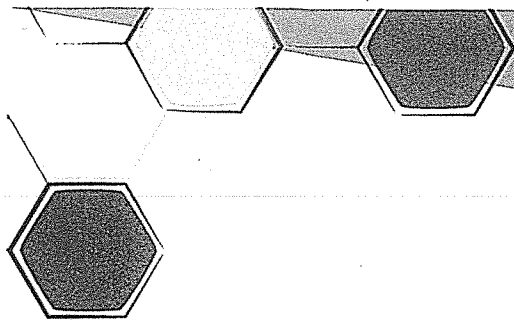
Project #: 8346

Signature

Date

Printed Name

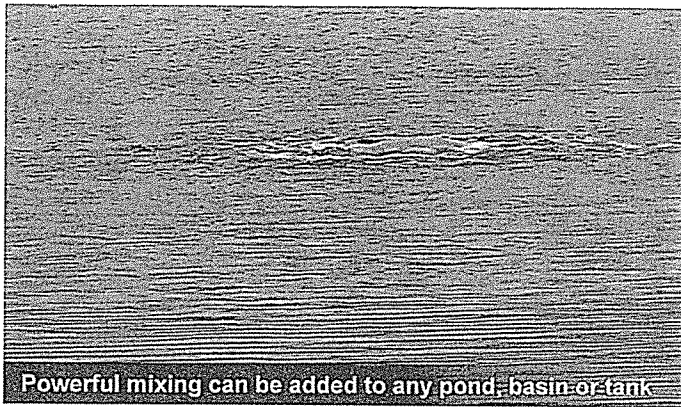
Title



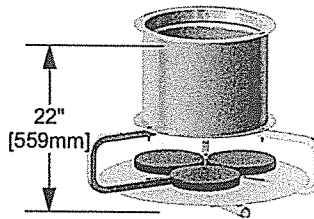
GridBee®

Air-Powered Mixers

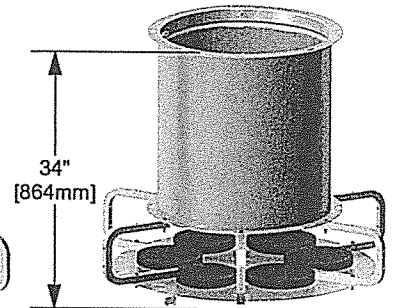
AP2000 & AP4000 Units



Powerful mixing can be added to any pond, basin or tank



AP2000



AP4000

GridBee® AP Air-Powered Mixers from Medora Corporation combine patented long- distance circulation technology with a clog-free design.

Park Ponds, Small Lakes, Stormwater Ponds:

- Helps provide blue-green algae control and improves fish habitats
- Easy to place on the end of docks
- Excellent for de-icing marinas
- No electricity or moving parts in the water

Wastewater & Industrial:

- Designed for use in ponds, basins, and industrial tanks
- Clog-free, no moving parts in the water
- Energy-efficient, can be matched to an existing air system or optional air unit

Electrical Service:

(Required for optional air units)

120v 1ph service is required to support standard air units to 2hp

Pedestal Models:

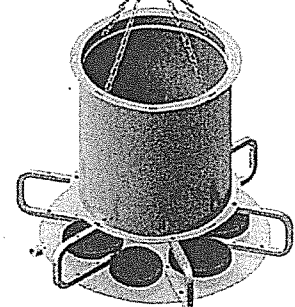
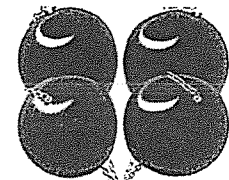
Optional legs are available to raise the diffusers off the bottom (Pictured Above)

Floating Models:

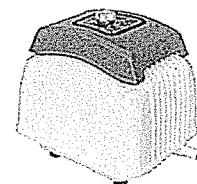
Can be set at a desired depth to achieve specific water quality objectives. (Pictured to the Right)

Air Units:

Low pressure and High pressure air units are available (Pictured to the Right)



AP4000F



Air-powered mixers should not be used in non-vented areas where explosive gases may accumulate.

Medora Corporation [GridBee® SolarBee®

www.medoraco.com | 866-437-8076 | info@medoraco.com



Medora Corporation

GridBee SolarBee

November 2, 2016

Jeremy Chaja
Laguna County Sanitation District
620 West Foster Road
Santa Maria, CA 93455

Dear Jeremy,

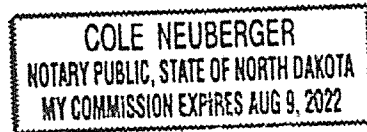
This letter is to certify that the GridBee Model AP2000 air powered high-flow mixing equipment, which the Laguna County Sanitation District is considering purchasing, is only manufactured at Medora Corporation of Dickinson, ND.

Medora Corporation is the exclusive manufacturer of this equipment, which encompasses multiple patents and patents pending, and is the sole licensee of this technology. A list of granted patents are available at: <http://www.medoraco.com/about>. In addition, the machine comes with a 2-year machine warranty that covers parts and labor.

The purchase price presented for this equipment is the same price charged to all U.S. agencies and other organizations, after allowing for small differences in delivery and installation charges based on quantity and mileage differences between projects.

Sincerely,

Willard Tormaschy
Corporate Secretary



(Notary Seal)

The above individual signed this letter in my presence on November 2, 2016.
Attested to by [Signature], Notary Public, Stark County, State of North Dakota.