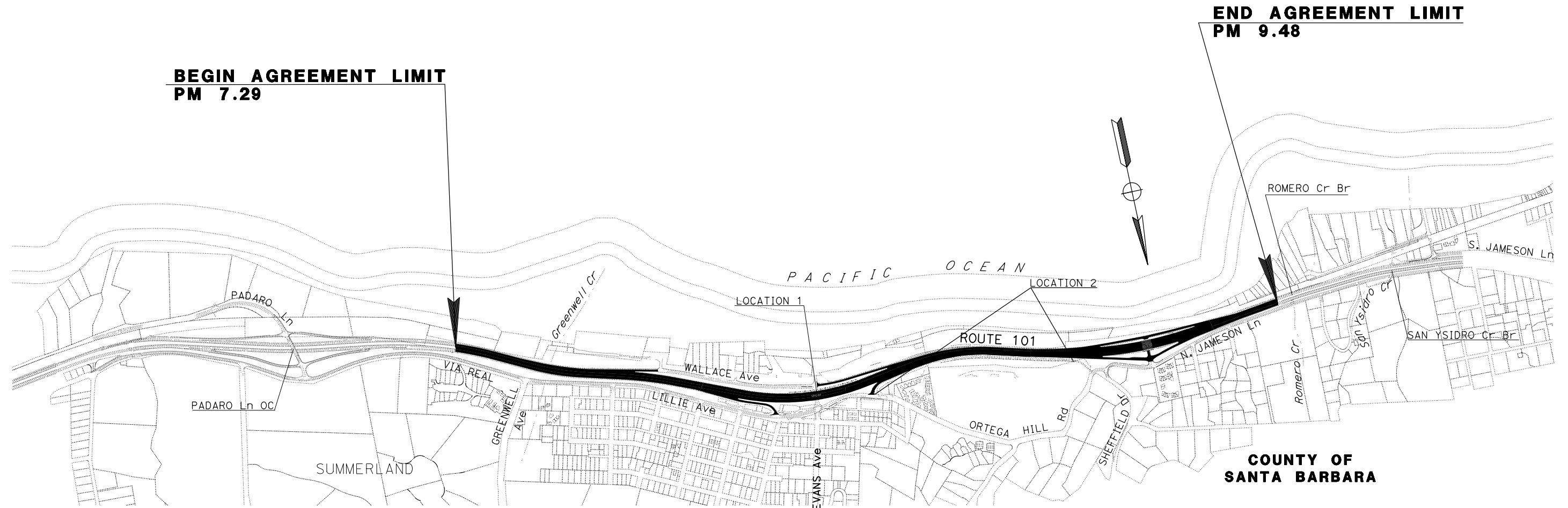


Dist	COUNTY	ROUTE	POST MILES TOTAL PROJECT	SHEET No.	TOTAL SHEETS
05	SB	101	7.29/9.48	1	6

FREEWAY MAINTENANCE AGREEMENT WITH THE COUNTY OF SANTA BARBARA IN SUMMERLAND

101 4C

EXHIBIT "A"



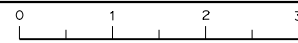
SOUND WALL LOCATIONS (HOV - SEGMENT 4C)

SOUND WALL #	LOCATION	DESCRIPTION
1	PM 8.40 TO PM 8.57	NB ROUTE 101 ALONG ORTEGA HILL BIKE PATH
2	PM 9.02 TO PM 9.30	NB ROUTE 101 ALONG N. JAMESON NEAR SHEFFIELD TO NEAR ROMERO CREEK

VICINITY MAP

NO SCALE

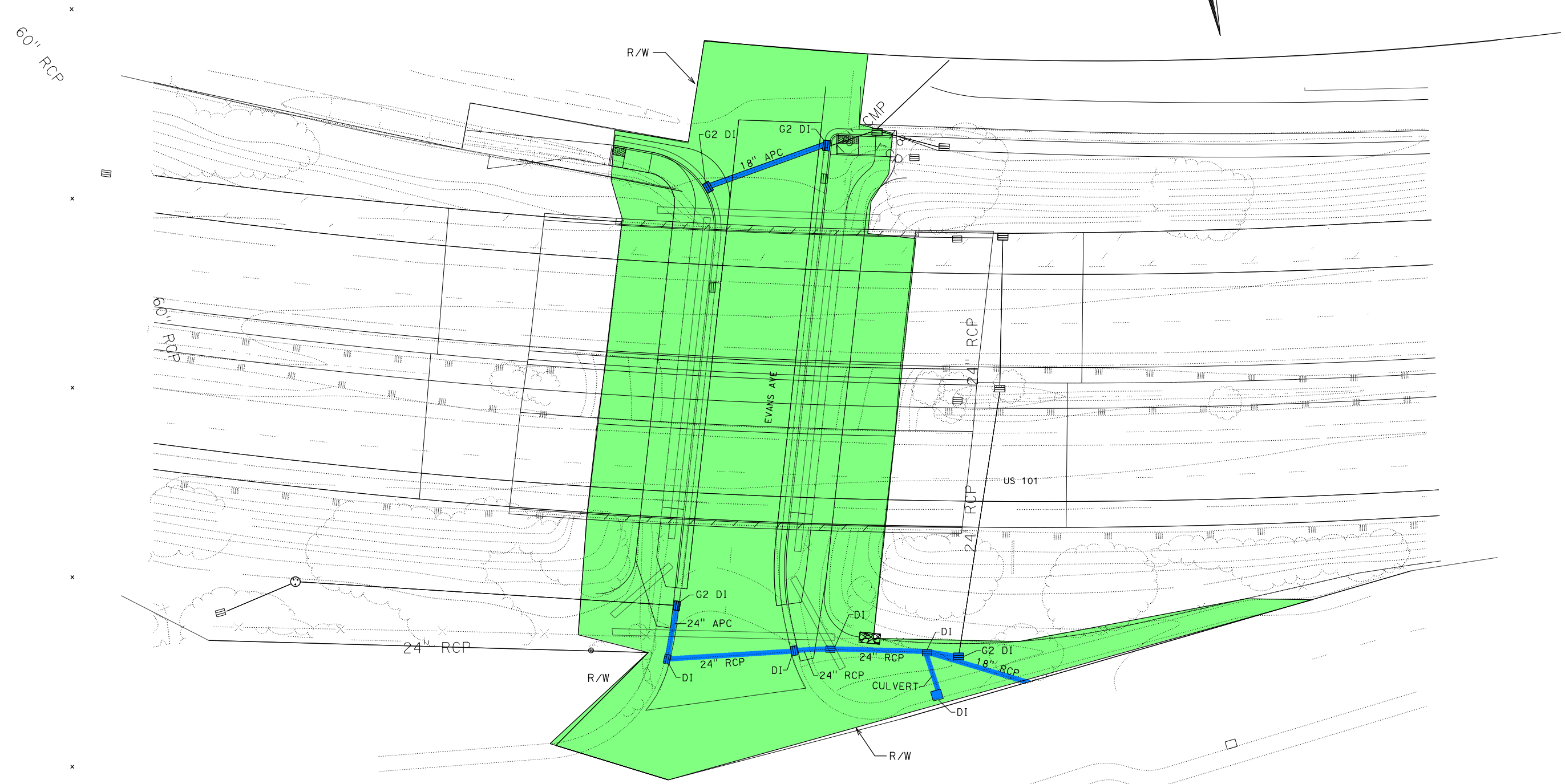
RELATIVE BORDER SCALE
IS IN INCHES



Dist	COUNTY	ROUTE	POST MILES TOTAL PROJECT	SHEET No.	TOTAL SHEETS
05	SB	101	7.29/9.48	2	6

FREEWAY MAINTENANCE AGREEMENT WITH THE COUNTY OF SANTA BARBARA IN SUMMERLAND

EXHIBIT "A"



- AREA MAINTAINED BY COUNTY
- DRAINAGE FACILITY MAINTAINED BY COUNTY

LOCATION 1

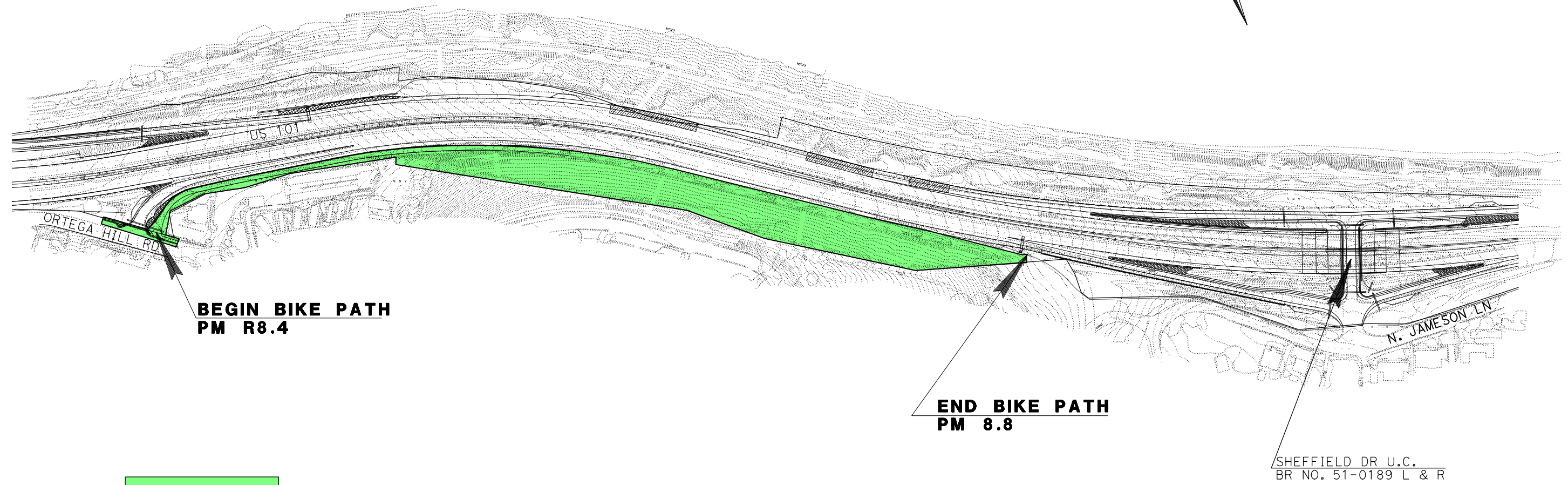
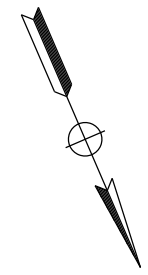
NO SCALE

RELATIVE BORDER SCALE
IS IN INCHES

Dist	COUNTY	ROUTE	POST MILES TOTAL PROJECT	SHEET No.	TOTAL SHEETS
05	SB	101	7.29/9.48	3	6

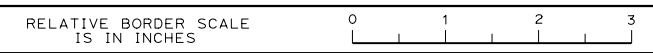
**FREEWAY MAINTENANCE AGREEMENT
WITH THE COUNTY OF SANTA BARBARA
IN SUMMERLAND**

EXHIBIT "A"



LOCATION 2

NO SCALE



FREEWAY MAINTENANCE AGREEMENT WITH THE COUNTY OF SANTA BARBARA IN SUMMERLAND EXHIBIT "A"

NOTE:

1. FOR ACCURATE RIGHT OF WAY DATA, CONTACT RIGHT OF WAY ENGINEERING AT THE DISTRICT OFFICE.

LEGEND (THIS SHEET ONLY):

1 120/240 V, 1 ϕ , 3 WIRE TYPE III-BF SERVICE EQUIPMENT ENCLOSURE WITH THE FOLLOWING CIRCUIT BREAKERS:

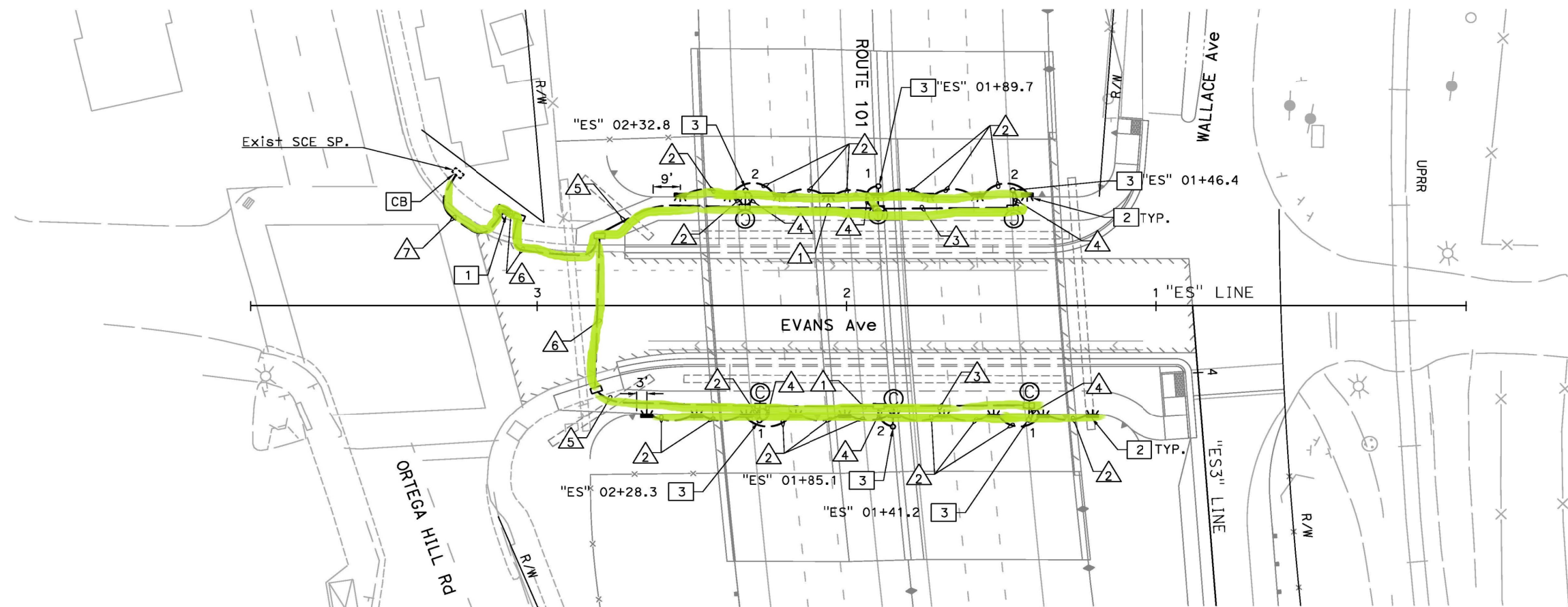
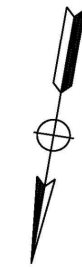
AMPERES	VOLTS	POLES	NAMEPLATE	METER	SPECIAL REQUIREMENTS
100	240	2	MAIN DISCONNECT	YES	-
15	240	2	COUNTY WALL Ltg	YES	TYPE V PEC
15	240	2	COUNTY POLE LIGHTING	YES	TIME CLOCK CONTROL
15	240	2	COUNTY POLE LIGHTING	YES	TIME CLOCK CONTROL
15	120	1	LIGHTING CONTROL	YES	TIME CLOCK

2 COUNTY RECESSED WALL LUMINAIRE. TYPE 1 CONDUIT MUST BE POURED IN PLACE MONOLITHIC WITH WALL STRUCTURE. SPACE LUMINAIRES AT 16' SPACING CENTER TO CENTER. SEE DETAIL ON SHEET ED-1.

3 COUNTY STANDARD. TYPE 1 CONDUIT MUST BE POURED IN PLACE MONOLITHIC WITH WALL STRUCTURE. SPACE LIGHTS PER PLAN. SEE DETAIL ON SHEET ED-1.

CONDUIT RUN NUMBER (THIS SHEET ONLY):

- 1 1½"C, 4#12 (POLE Ltg), 1#12G
- 2 1½"C, TYPE 1 CONDUIT, 2#12 (WALL Ltg), 1#12G.
- 3 1½"C, 2#12 (POLE Ltg), 1#12G.
- 4 1½"C, TYPE 1, 2#12 (POLE Ltg), 1#12G.
- 5 1½"C, 2#12 (WALL Ltg), 4#12 (POLE Ltg), 1#12G.
- 6 2"C, 2#12 (WALL Ltg), 4#12 (POLE Ltg), 1#12G.
- 7 3"C, PT (CONDUCTOR BY SCE)



ELECTRICAL SYSTEMS MAINTAINED BY COUNTY

LOCATION 1

NO SCALE

APPROVED FOR ELECTRICAL WORK ONLY

RELATIVE BORDER SCALE IS IN INCHES

NOTE:

1. FOR ACCURATE RIGHT OF WAY DATA, CONTACT RIGHT OF WAY ENGINEERING AT THE DISTRICT OFFICE.

LEGEND (THIS SHEET ONLY):

1 RL Exist 120/240 V, 1 ϕ , 3 WIRE TYPE III-BF SERVICE EQUIPMENT ENCLOSURE WITH THE FOLLOWING CIRCUIT BREAKERS: (COUNTY)

AMPERES	VOLTS	POLES	NAMEPLATE	METER	SPECIAL REQUIREMENTS
100	240	2	MAIN DISCONNECT	YES	-
40	240	2	BIKE PATH POLE LTG	YES	TYPE V PEC
30	240	2	BIKE PATH WALL LTG	YES	TYPE V PEC
20	120	1	SPARE	YES	-

2 RL Exist BIKE PATH STANDARD TO NEW FOUNDATION. SEE SHEET ED-1 FOR FOUNDATION DETAIL.

3 SCE APPROVED PULL BOX.

4 RL Exist BIKE PATH STANDARD TO NEW FOUNDATION IN SOUND WALL No. 101. SEE SOUND WALL PLANS FOR FOUNDATION DETAILS.

CONDUIT RUN NUMBER (THIS SHEET ONLY):

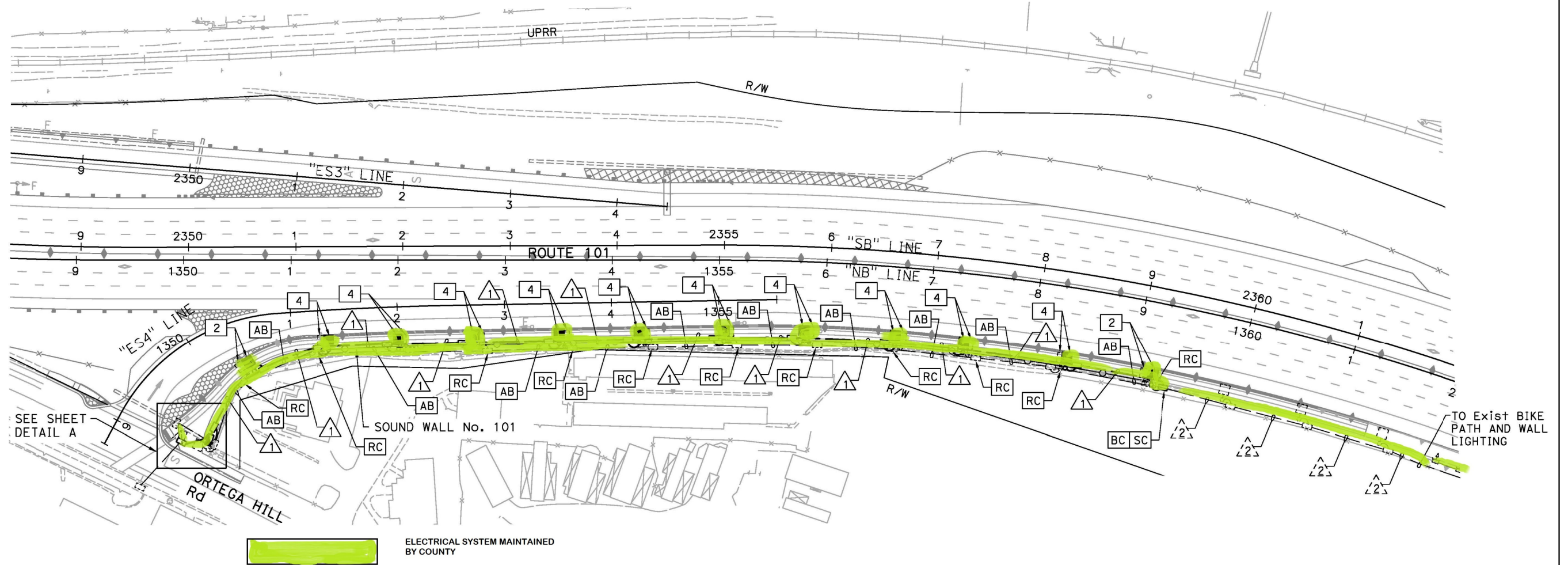
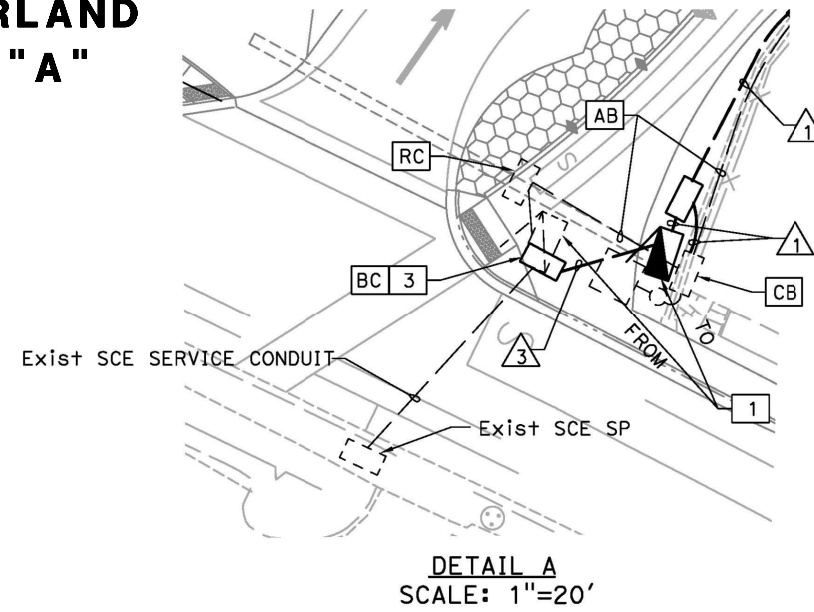
1 1 $\frac{1}{2}$ "C, 2#8 (BIKE PATH Ltg), 2#6 (BIKE PATH WALL Ltg)

2 Exist 1 $\frac{1}{2}$ "C, 2#8 (BIKE PATH Ltg), 2#6 (BIKE PATH WALL Ltg)

3 3"C, PT (CONDUCTORS BY SCE)

FREeway MAINTENANCE AGREEMENT WITH THE COUNTY OF SANTA BARBARA IN SUMMERLAND EXHIBIT "A"

Dist	COUNTY	ROUTE	POST MILES TOTAL PROJECT	SHEET No.	TOTAL SHEETS
05	SB	101	7.29/9.48	5	6



LOCATION 2

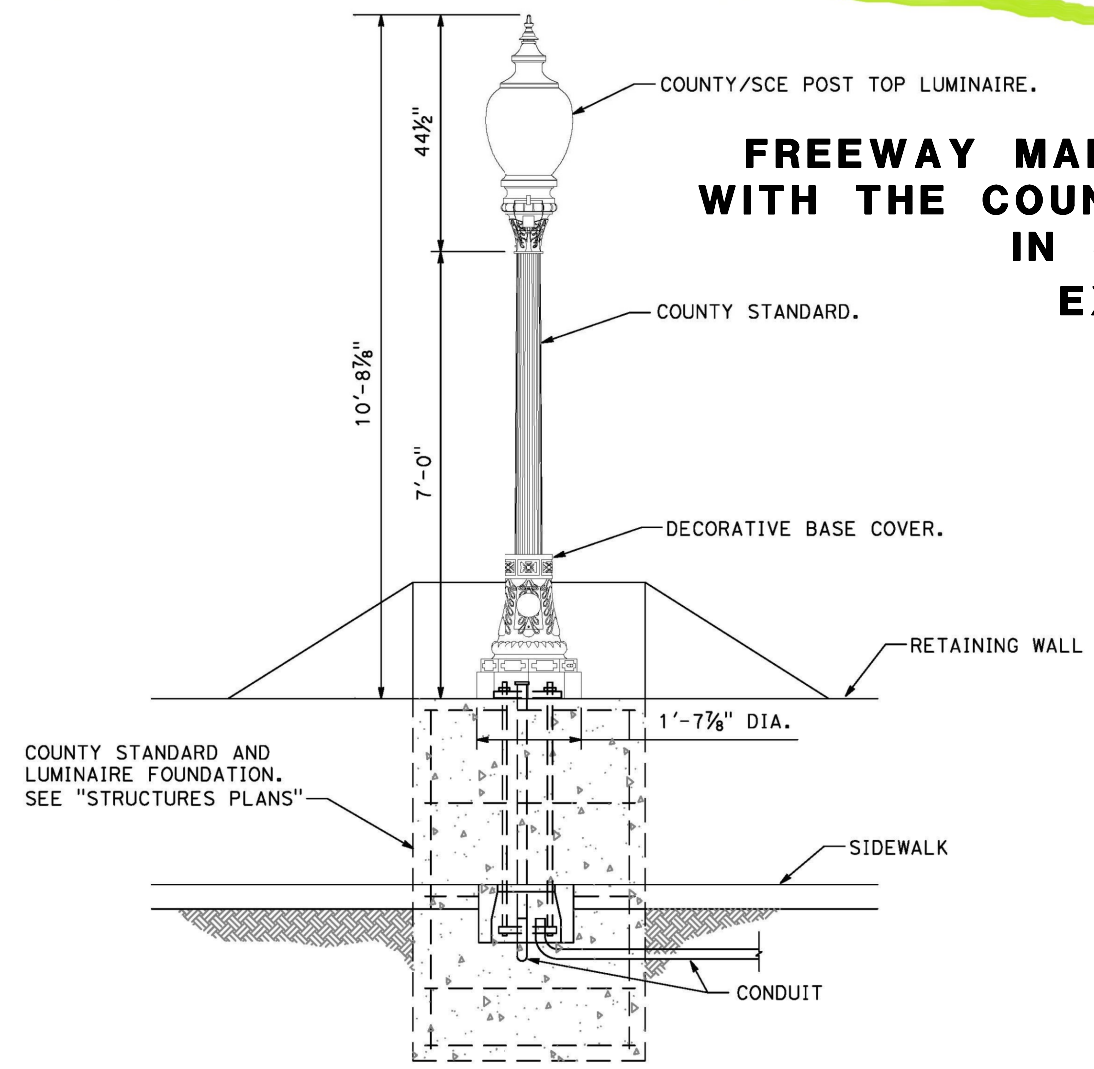
NO SCALE

APPROVED FOR ELECTRICAL WORK ONLY

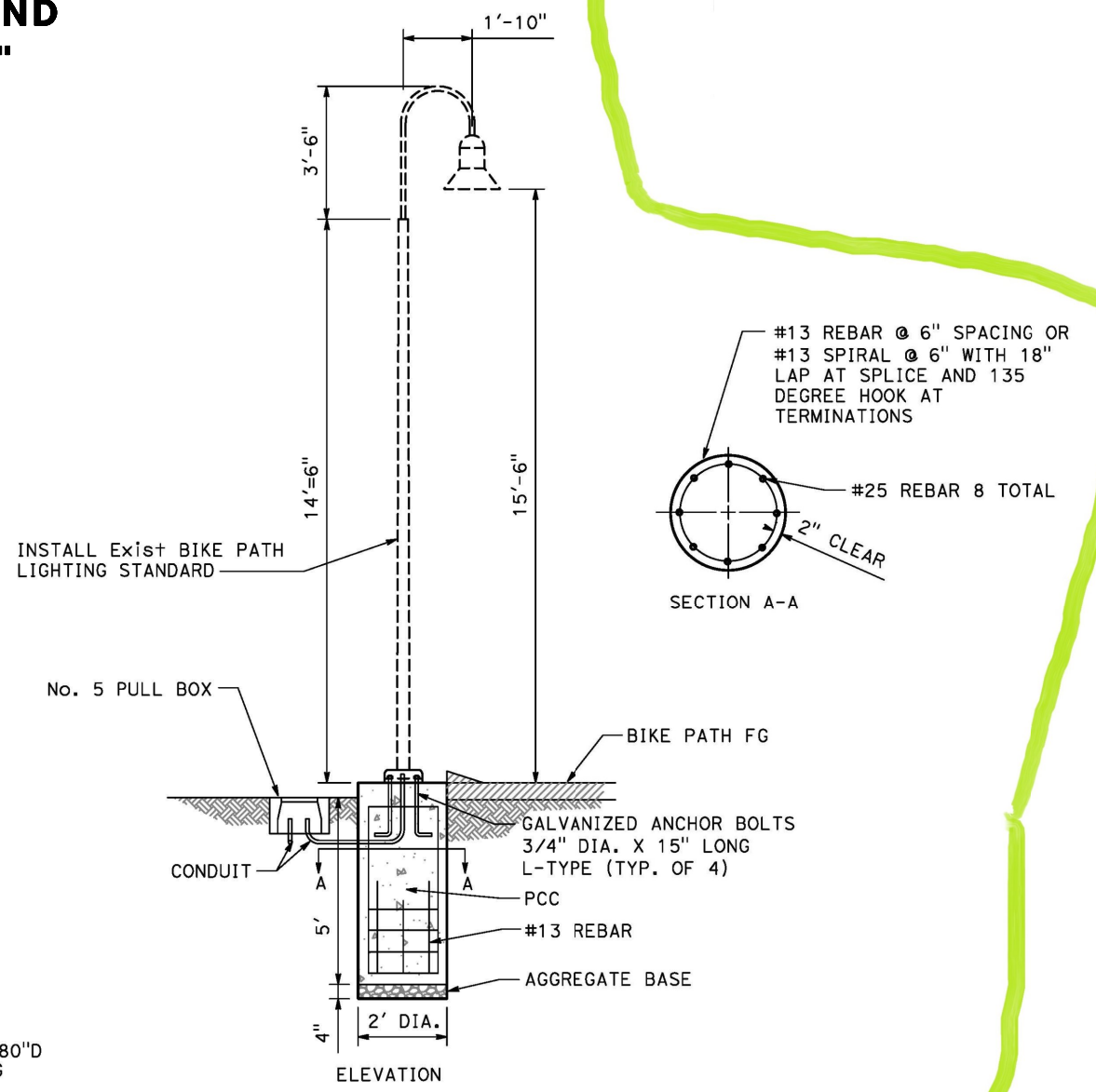
RELATIVE BORDER SCALE IS IN INCHES 0 1 2 3

Dist	COUNTY	ROUTE	POST MILES TOTAL PROJECT	SHEET No.	TOTAL SHEETS
05	SB	101	7.29/9.48	6	6

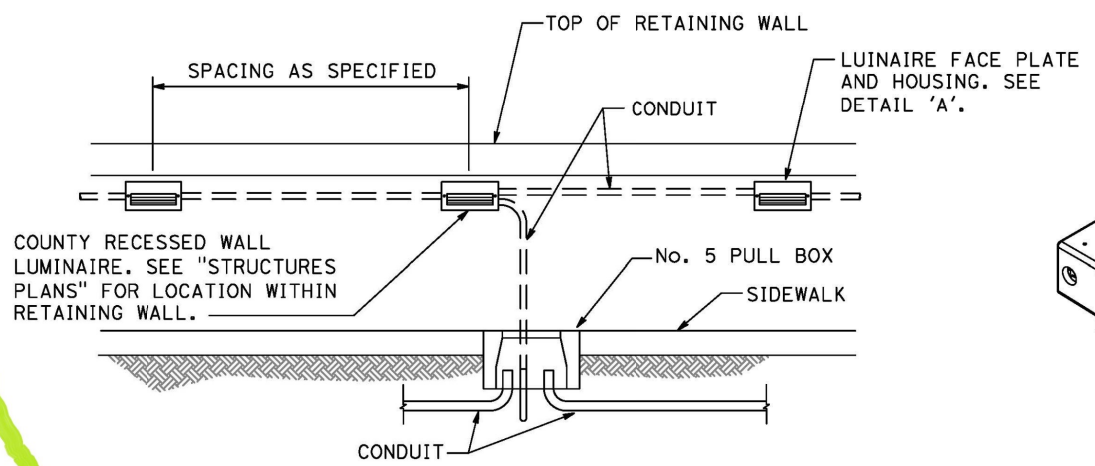
FREEWAY MAINTENANCE AGREEMENT WITH THE COUNTY OF SANTA BARBARA IN SUMMERLAND EXHIBIT "A"



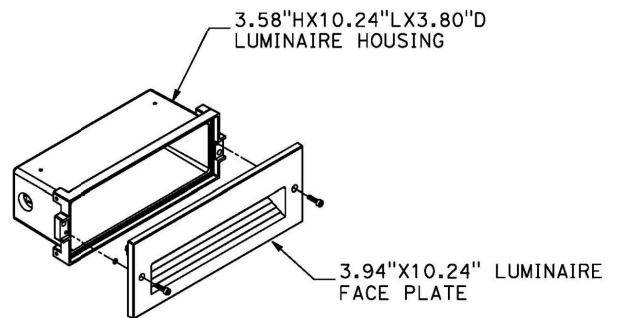
**COUNTY STANDARD
AND LUMINAIRE**



**Exist BIKE PATH STANDARD
FOUNDATION**



**COUNTY RECESSED
WALL LUMINAIRE**



**DETAIL 'A'
LUMINAIRE FACE
PLATE AND HOUSING**

**ELECTRICAL SYSTEMS MAINTAINED
BY COUNTY**

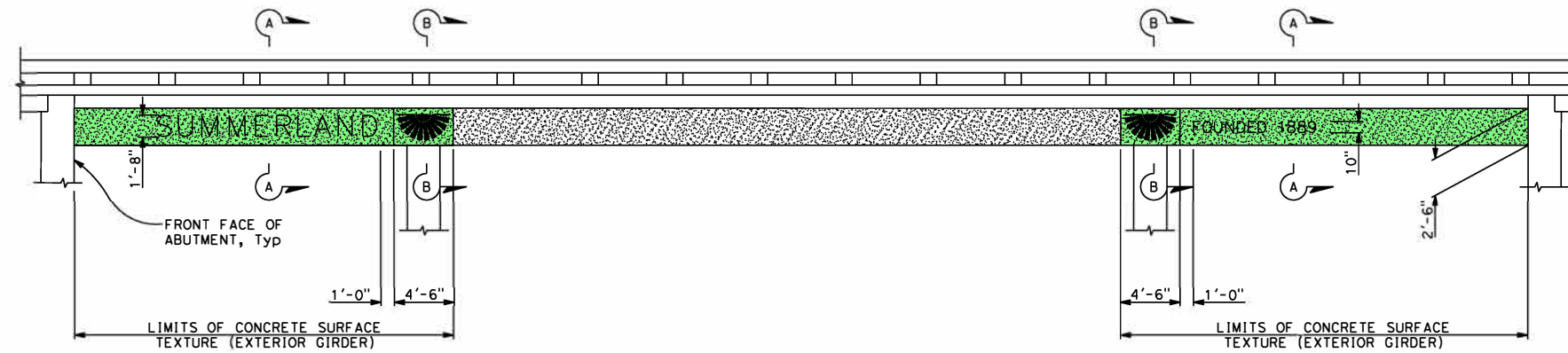
DETAILS

NO SCALE

Dist	COUNTY	ROUTE	POST MILES TOTAL PROJECT	SHEET No.	TOTAL SHEETS
05	SB	101	7.29/9.48	1	1

FREEWAY MAINTENANCE AGREEMENT WITH THE COUNTY OF SANTA BARBARA IN SUMMERLAND

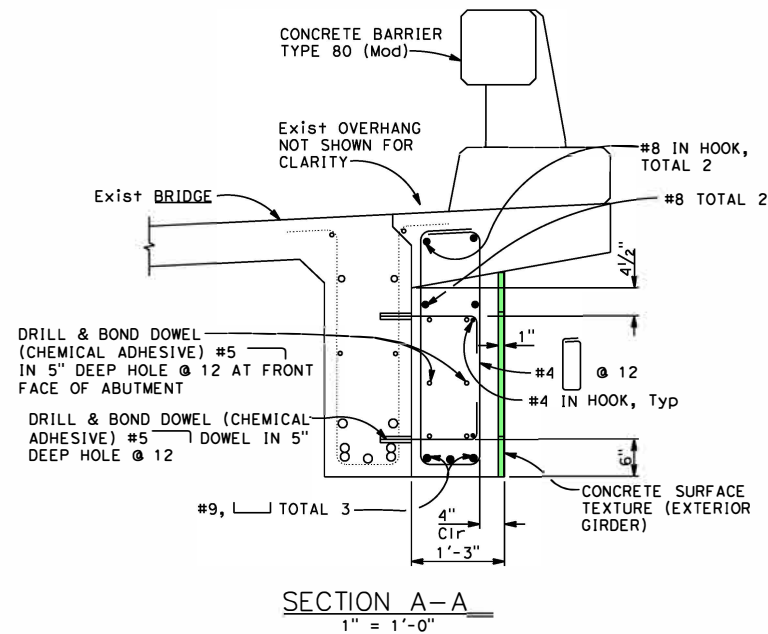
EXHIBIT "D"



NOTE: EXISTING RIGHT BRIDGE SHOWN, EXISTING LEFT BRIDGE SIMILAR

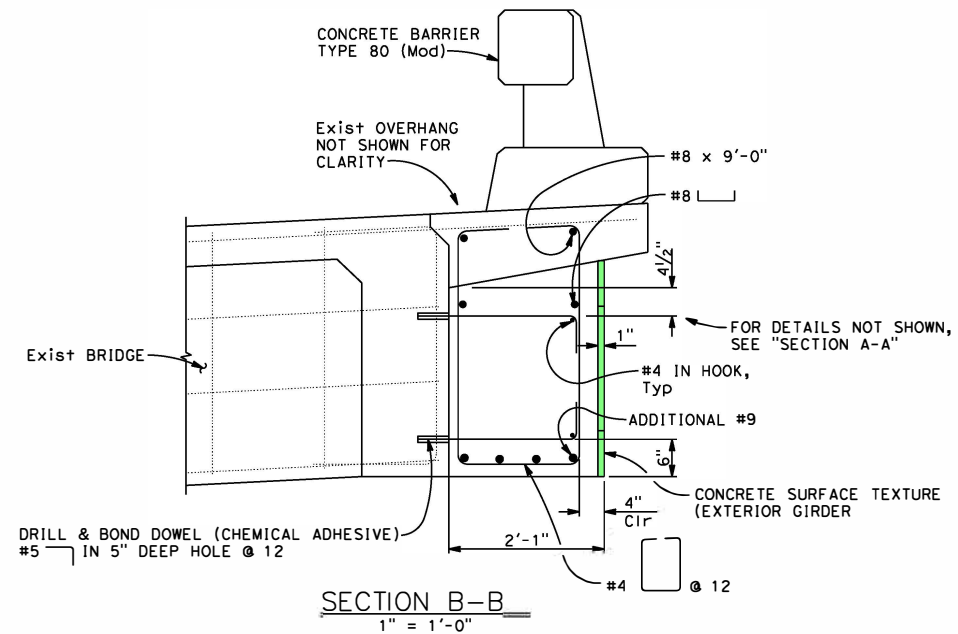
EXTERIOR GIRDER ELEVATION

1" = 5'



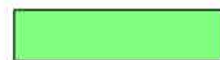
SECTION A-A

1" = 1'-0"



SECTION B-B

1" = 1'-0"



MAINTAINED BY COUNTY

LOCATION 1

NO SCALE

RELATIVE BORDER SCALE
IS IN INCHES

