

Replacement Equipment Summary

Sales Tax Rate

7.75%

Existing (financed by MSB)	Proposed Replacement	Equipment	Sales Tax	Extended Warranty	Total Equipment	Total Warranty
Liebherr Model 550 Loader	<i>John Deere Model 644P Loader</i>	362,485.32	28,092.61	30,022.00	390,577.93	30,022.00
Liebherr Model 550 Loader	<i>John Deere Model 644P Loader</i>	362,485.32	28,092.61	30,022.00	390,577.93	30,022.00
Liebherr Model 550 Loader	<i>John Deere Model 744P Loader</i>	553,376.70	42,886.69	34,950.00	596,263.39	34,950.00
Volvo Model L110 Loader	<i>John Deere Model 744P Loader</i>	561,633.20	43,526.57	34,950.00	605,159.77	34,950.00
Powerscreen Model 3300 Screen	<i>Powerscreen Model 3300 Screen</i>	510,902.90	39,594.97		550,497.87	-
Doppstadt Model 726 Screen	<i>Powerscreen Model 3300 Screen</i>	510,902.90	39,594.97		550,497.87	-
Doppstadt Model 726 Screen	<i>Powerscreen Model 3300 Screen</i>	510,902.90	39,594.97		550,497.87	-
Total		\$ 3,372,689.24	\$ 261,383.42	\$ 129,944.00	\$ 3,634,072.66	\$ 129,944.00
					Grand Total	\$ 3,764,016.66

Quote Id: 30328308

Prepared For:
COUNTY OF SANTA BARBARA TAJIQUAS LANDFILL



Prepared By: **STEPHEN SKROPITS**

Coastline Equipment Company
1930 Lockwood Street
Oxnard, CA 93036

Tel: 805-485-2106

Mobile Phone: 805-207-2194

Fax: 805-485-7963

Email: steve.skropits@coastlineequipment.com

Date: 05 February 2024

Offer Expires: 28 February 2024

Confidential

Quote Summary

Prepared For:

COUNTY OF SANTA BARBARA TAJIQUAS LANDFILL
 14470 CALLE REAL
 GOLETA, CA 93117
 Business: 661-392-7765

Prepared By:

STEPHEN SKROPITS
 Coastline Equipment Company
 1930 Lockwood Street
 Oxnard, CA 93036
 Phone: 805-485-2106
 Mobile: 805-207-2194
 steve.skropits@coastlineequipment.com

This Is Sourcewell Contract Pricing For Santa Barbara County - Member ID# 35604

Quote Id: 30328308
Created On: 05 February 2024
Last Modified On: 08 February 2024
Expiration Date: 28 February 2024

New 2024 John Deere 644P Wheel Loader

List Price	\$494,502.00
Sourcewell Discount 34%	-(168,130.68)
Total	\$ 326,371.32

Dealer Attachments

Factory Freight & PDI/Delivery	\$16,550.00
JDLINK Sat Kit & Install	\$3,145.00
Axle Seal Guards & Install	\$3,700.00
Articulation Joint Guards & Install	\$5,100.00
Boom Cyl & Cavity Guards & Install	\$6,100.00
Strobe Beacon & Seat Belt Beacon	\$1,519.00
Total	\$ 36,114.00

Sub-Total	\$362,485.32
Sales Tax 7.75%	\$28,092.61
Grand Total	\$390,577.93

Extended Warranty Options, Add To Sell Price If Desired:

Power Train & Hydraulic Coverage 5 Years or 10,000 Hrs.,
 Whichever Occurs First \$30,022 +tax
 Or,
 Comprehensive Coverage 5 Years or 10,000 Hrs., Whichever
 Occurs First \$48,656 +tax

ETA from the factory is the first week of March.
 With a signed order we can reserve for the County
 Machine Is Subject To Prior Sale

Equipment Summary	Selling Price	Qty	Extended
JOHN DEERE 644P Wheel Loader - Factory Order	\$ 362,485.32 X	1 =	\$ 362,485.32
Equipment Total			\$ 362,485.32

Quote Summary

Equipment Total	\$ 362,485.32
SubTotal	\$ 362,485.32
Sales Tax - (7.75%)	\$ 28,092.61
Total	\$ 390,577.93

Salesperson : X _____

Accepted By : X _____

Down Payment	(0.00)
Rental Applied	(0.00)
Balance Due	\$ 390,577.93

Salesperson : X _____

Accepted By : X _____

Selling Equipment

Quote Id: 30328308

Customer: COUNTY OF SANTA BARBARA TAJIQUAS LANDFILL

JOHN DEERE 644P Wheel Loader - Factory Order

Hours: 2
Stock Number: 113196

				Selling Price
				\$ 362,485.32
Code	Description	Qty	Unit	Extended
6051DW	JOHN DEERE 644 P FOUR WHEEL LOADER	1	\$ 374,908.00	\$ 374,908.00
Standard Options - Per Unit				
183E	JDLINK	1	\$ 0.00	\$ 0.00
0202	UNITED STATES	1	\$ 0.00	\$ 0.00
0259	ENGLISH OPS MANUAL	1	\$ 0.00	\$ 0.00
0451	Z-BAR CONFIGURATION	1	\$ 0.00	\$ 0.00
0615	LEVEL 2 TRIM	1	\$ 5,594.00	\$ 5,594.00
0659	LEVEL 4 PERFORMANCE	1	\$ 9,465.00	\$ 9,465.00
0951	REAR CAMERA PRIMARY DISPLAY	1	\$ 0.00	\$ 0.00
1301	LEFT SIDE STEPS	1	\$ 0.00	\$ 0.00
1602	STEERING WHEEL	1	\$ 0.00	\$ 0.00
2201	LESS PAYLOAD W/ CYCLE COUNTER	1	\$ 124.00	\$ 124.00
4069	JD POWERTECH ENGINE PSS 6.8L FINAL T4	1	\$ 39,384.00	\$ 39,384.00
5125	TIRES BRIDGESTONE VJT 23.5 L3 20PR	1	\$ 25,872.00	\$ 25,872.00
5553	FULL WIDTH FR FENDERS	1	\$ 451.00	\$ 451.00
6522	REAR COUNTERWEIGHT & R.HITCH	1	\$ 0.00	\$ 0.00
7026	JOYSTICK CONTROLS	1	\$ 0.00	\$ 0.00
7054	THREE FUNCTION HYDRAULICS	1	\$ 2,342.00	\$ 2,342.00
7402	HYDRAULIC COUPLER JRB 418	1	\$ 10,168.00	\$ 10,168.00
7458	BOLT ON CUTTING EDGE	1	\$ 2,611.00	\$ 2,611.00
7807	4.75 YD BUCKET	1	\$ 14,968.00	\$ 14,968.00
8295	HEATED AND POWERED MIRRORS	1	\$ 747.00	\$ 747.00
8500	COLD WEATHER PACKAGE	1	\$ 518.00	\$ 518.00
8501	DEBRIS PACKAGE	1	\$ 3,574.00	\$ 3,574.00
8502	MAINTENANCE&SERVICE PACKAGE	1	\$ 1,099.00	\$ 1,099.00
8505	GUARDS TRANSMISSION & BOTTOM	1	\$ 2,677.00	\$ 2,677.00
	ENGINE AIR INTAKE SYSTEM	1	\$ 0.00	\$ 0.00
	CENTRIFUGAL PRE-CLEANER	1	\$ 0.00	\$ 0.00
	QUICK FLUID SERVICE W/ ENVIRONMENTAL DRAINS	1	\$ 0.00	\$ 0.00
	5-SPD TRANSMISSION W/LOCK UP TORQUE CONVERTER	1	\$ 0.00	\$ 0.00
	AUTO DIFF LOCK	1	\$ 0.00	\$ 0.00

Selling Equipment

Quote Id: 30328308

Customer: COUNTY OF SANTA BARBARA TAJIQUAS LANDFILL

LOCKING REAR DIFFERENTIAL	1	\$ 0.00	\$ 0.00
LOCKING FRONT DIFFERENTIAL	1	\$ 0.00	\$ 0.00
TIRE PRESSURE MONITORING SYSTEM	1	\$ 0.00	\$ 0.00
RIDE CONTROL	1	\$ 0.00	\$ 0.00
HEAVY DUTY AIR SUSPENSION SEAT	1	\$ 0.00	\$ 0.00
LED WORK LIGHTS	1	\$ 0.00	\$ 0.00
30 AMP CONVERTOR	1	\$ 0.00	\$ 0.00
140 AMP ALTERNATOR	1	\$ 0.00	\$ 0.00
STROBE BEACON & SEAT BELT BEACON	1	\$ 0.00	\$ 0.00
AUTO REVERSIBLE FAN	1	\$ 0.00	\$ 0.00
CAB FRESH AIR PRE-CLEANER	1	\$ 0.00	\$ 0.00
Standard Options Total			\$ 119,594.00
Suggested Price			\$ 494,502.00
Customer Discounts			
Customer Discounts Total		\$ -132,016.68	\$ -132,016.68
Total Selling Price			\$ 362,485.32

Quote Id: 30329413

Prepared For:
COUNTY OF SANTA BARBARA TAJIQUAS LANDFILL



Prepared By: **STEPHEN SKROPITS**

Coastline Equipment Company
1930 Lockwood Street
Oxnard, CA 93036

Tel: 805-485-2106

Mobile Phone: 805-207-2194

Fax: 805-485-7963

Email: steve.skropits@coastlineequipment.com

Date: 05 February 2024

Offer Expires: 28 February 2024

Confidential

Quote Summary

Prepared For:

COUNTY OF SANTA BARBARA TAJIQUAS LANDFILL
 14470 CALLE REAL
 GOLETA, CA 93117
 Business: 661-392-7765

Prepared By:

STEPHEN SKROPITS
 Coastline Equipment Company
 1930 Lockwood Street
 Oxnard, CA 93036
 Phone: 805-485-2106
 Mobile: 805-207-2194
 steve.skropits@coastlineequipment.com

This Is Sourcewell Contract Pricing For Santa Barbara County - Member ID# 35604

Quote Id: 30329413
Created On: 05 February 2024
Last Modified On: 08 February 2024
Expiration Date: 28 February 2024

New 2024 John Deere 644P Wheel Loader

List Price	\$494,502.00
Sourcewell Discount 34%	-(168,130.68)
Total	\$ 326,371.32

Dealer Attachments

Factory Freight & PDI/Delivery	\$16,550.00
JDLINK Sat Kit & Install	\$3,145.00
Axle Seal Guards & Install	\$3,700.00
Articulation Joint Guards & Install	\$5,100.00
Boom Cyl & Cavity Guards & Install	\$6,100.00
Strobe Beacon & Seat Belt Beacon	\$1,519.00
Total	\$ 36,114.00

Sub-Total	\$362,485.32
Sales Tax 7.75%	\$28,092.61
Grand Total	\$390,577.93

Extended Warranty Options, Add To Sell Price If Desired:

Power Train & Hydraulic Coverage 5 Years or 10,000 Hrs.,
 Whichever Occurs First \$30,022 +tax
 Or,
 Comprehensive Coverage 5 Years or 10,000 Hrs., Whichever
 Occurs First \$48,656 +tax

ETA from the factory is the first week of March.
 With a signed order we can reserve for the County
 Machine Is Subject To Prior Sale

Equipment Summary	Selling Price	Qty	Extended
JOHN DEERE 644P Wheel Loader - Factory Order	\$ 362,485.32 X	1 =	\$ 362,485.32
Equipment Total			\$ 362,485.32

Quote Summary

Equipment Total	\$ 362,485.32
SubTotal	\$ 362,485.32
Sales Tax - (7.75%)	\$ 28,092.61
Total	\$ 390,577.93

Salesperson : X _____

Accepted By : X _____

Down Payment	(0.00)
Rental Applied	(0.00)
Balance Due	\$ 390,577.93

Salesperson : X _____

Accepted By : X _____

Selling Equipment

Quote Id: 30329413

Customer: COUNTY OF SANTA BARBARA TAJIQUAS LANDFILL

JOHN DEERE 644P Wheel Loader - Factory Order

Hours: 2
Stock Number: 113199

				Selling Price
				\$ 362,485.32
Code	Description	Qty	Unit	Extended
6051DW	JOHN DEERE 644 P FOUR WHEEL LOADER	1	\$ 374,908.00	\$ 374,908.00
Standard Options - Per Unit				
183E	JDLINK	1	\$ 0.00	\$ 0.00
0202	UNITED STATES	1	\$ 0.00	\$ 0.00
0259	ENGLISH OPS MANUAL	1	\$ 0.00	\$ 0.00
0451	Z-BAR CONFIGURATION	1	\$ 0.00	\$ 0.00
0615	LEVEL 2 TRIM	1	\$ 5,594.00	\$ 5,594.00
0659	LEVEL 4 PERFORMANCE	1	\$ 9,465.00	\$ 9,465.00
0951	REAR CAMERA PRIMARY DISPLAY	1	\$ 0.00	\$ 0.00
1301	LEFT SIDE STEPS	1	\$ 0.00	\$ 0.00
1602	STEERING WHEEL	1	\$ 0.00	\$ 0.00
2201	LESS PAYLOAD W/ CYCLE COUNTER	1	\$ 124.00	\$ 124.00
4069	JD POWERTECH ENGINE PSS 6.8L FINAL T4	1	\$ 39,384.00	\$ 39,384.00
5125	TIRES BRIDGESTONE VJT 23.5 L3 20PR	1	\$ 25,872.00	\$ 25,872.00
5553	FULL WIDTH FR FENDERS	1	\$ 451.00	\$ 451.00
6522	REAR COUNTERWEIGHT & R.HITCH	1	\$ 0.00	\$ 0.00
7026	JOYSTICK CONTROLS	1	\$ 0.00	\$ 0.00
7054	THREE FUNCTION HYDRAULICS	1	\$ 2,342.00	\$ 2,342.00
7402	HYDRAULIC COUPLER JRB 418	1	\$ 10,168.00	\$ 10,168.00
7458	BOLT ON CUTTING EDGE	1	\$ 2,611.00	\$ 2,611.00
7807	4.75 YD BUCKET	1	\$ 14,968.00	\$ 14,968.00
8295	HEATED AND POWERED MIRRORS	1	\$ 747.00	\$ 747.00
8500	COLD WEATHER PACKAGE	1	\$ 518.00	\$ 518.00
8501	DEBRIS PACKAGE	1	\$ 3,574.00	\$ 3,574.00
8502	MAINTENANCE&SERVICE PACKAGE	1	\$ 1,099.00	\$ 1,099.00
8505	GUARDS TRANSMISSION & BOTTOM	1	\$ 2,677.00	\$ 2,677.00
	ENGINE AIR INTAKE SYSTEM	1	\$ 0.00	\$ 0.00
	CENTRIFUGAL PRE-CLEANER	1	\$ 0.00	\$ 0.00
	CAB FRESH AIR PRE-CLEANER	1	\$ 0.00	\$ 0.00
	AUTO REVERSIBLE FAN	1	\$ 0.00	\$ 0.00
	STROBE BEACON & SEAT BELT BEACON	1	\$ 0.00	\$ 0.00
	140 AMP ALTERNATOR	1	\$ 0.00	\$ 0.00

Selling Equipment

Quote Id: 30329413

Customer: COUNTY OF SANTA BARBARA TAJIQUAS LANDFILL

30 AMP CONVERTOR	1	\$ 0.00	\$ 0.00
LED WORK LIGHTS	1	\$ 0.00	\$ 0.00
HEAVY DUTY AIR SUSPENSION SEAT	1	\$ 0.00	\$ 0.00
RIDE CONTROL	1	\$ 0.00	\$ 0.00
TIRE PRESSURE MONITORING SYSTEM	1	\$ 0.00	\$ 0.00
LOCKING FRONT DIFFERENTIAL	1	\$ 0.00	\$ 0.00
LOCKING REAR DIFFERENTIAL	1	\$ 0.00	\$ 0.00
AUTO DIFF LOCK	1	\$ 0.00	\$ 0.00
5-SPD TRANSMISSION W/LOCK UP TORQUE CONVERTER	1	\$ 0.00	\$ 0.00
QUICK FLUID SERVICE W/ ENVIRONMENTAL DRAINS	1	\$ 0.00	\$ 0.00
Standard Options Total			\$ 119,594.00
Suggested Price			\$ 494,502.00
Customer Discounts			
Customer Discounts Total		\$ -132,016.68	\$ -132,016.68
Total Selling Price			\$ 362,485.32

Quote Id: 30304965

Prepared For:
COUNTY OF SANTA BARBARA TAJIQUAS LANDFILL



Prepared By: **STEPHEN SKROPITS**

Coastline Equipment Company
1930 Lockwood Street
Oxnard, CA 93036

Tel: 805-485-2106

Mobile Phone: 805-207-2194

Fax: 805-485-7963

Email: steve.skropits@coastlineequipment.com

Date: 31 January 2024

Offer Expires: 28 February 2024

Confidential

Quote Summary

Prepared For:

COUNTY OF SANTA BARBARA TAJIQUAS LANDFILL
 14470 CALLE REAL
 GOLETA, CA 93117
 Business: 661-392-7765

Prepared By:

STEPHEN SKROPITS
 Coastline Equipment Company
 1930 Lockwood Street
 Oxnard, CA 93036
 Phone: 805-485-2106
 Mobile: 805-207-2194
 steve.skropits@coastlineequipment.com

This Is Sourcewell Contract Pricing For Santa Barbara County - Member ID# 35604

Quote Id: 30304965
Created On: 31 January 2024
Last Modified On: 09 February 2024
Expiration Date: 28 February 2024

New 2024 John Deere 744P Wheel Loader
 List Price \$650,106.00
Sourcewell Discount 30% (195,031.80)
Total \$455,074.20

Dealer Attachments

Factory Freight & PDI/Delivery \$19,570.00
 Roll Out 9YD Bucket / Installed \$57,800.00
 3rd Function Install \$10,864.00
 JDLink Satellite Kit & Install \$3,425.00
 Axle Seal Guards & Install \$3,700.00
 Articulation Joint Guards & Install \$5,100.00
Boom Cyl & Cavity Guards & Install \$6,100.00
Total \$ 106,559.00

Sub-Total \$561,633.20
Sales Tax 7.75% \$43,526.57
Grand Total \$605,159.77

Extended Warranty Options, Add To Sell Price If Desired:

Power Train & Hydraulic Coverage 5 Years or 10,000 Hrs.,
 Whichever Occurs First \$34,950 +tax
 Or,
 Comprehensive Coverage 5 Years or 10,000 Hrs., Whichever
 Occurs First \$56,630 +tax

ETA, From the factory is the second week of March. The Roll Out
 Bucket Is 5-6 weeks out from order date.
 With a signed order we can reserve for the County
 Subject To Prior Sale

Equipment Summary	Selling Price	Qty	Extended
2024 JOHN DEERE 744 P Wheel Loader - 1DW744PAPRLX08145	\$ 561,633.20	X 1 =	\$ 561,633.20
Equipment Total			\$ 561,633.20

Quote Summary

Equipment Total \$ 561,633.20
 SubTotal \$ 561,633.20

Salesperson : X _____

Accepted By : X _____

Sales Tax - (7.75%)	\$ 43,526.57
Total	\$ 605,159.77
Down Payment	(0.00)
Rental Applied	(0.00)
Balance Due	\$ 605,159.77

Salesperson : X _____

Accepted By : X _____

Selling Equipment

Quote Id: 30304965

Customer: COUNTY OF SANTA BARBARA TAJIQUAS LANDFILL

2024 JOHN DEERE 744 P Wheel Loader - 1DW744PAPRLX08145

Hours: 4
Stock Number: 113081

				Selling Price
				\$ 561,633.20
Code	Description	Qty	Unit	Extended
6080DW	2024 JOHN DEERE 744 P FOUR WHEEL DRIVE LOADER	1	\$ 551,146.00	\$ 551,146.00
Standard Options - Per Unit				
183E	JDLINK	1	\$ 0.00	\$ 0.00
0202	UNITED STATES	1	\$ 0.00	\$ 0.00
0259	ENGLISH OPS MANUAL	1	\$ 0.00	\$ 0.00
0451	Z-BAR CONFIGURATION	1	\$ 0.00	\$ 0.00
0603	LEVEL 3 TRIM	1	\$ 7,244.00	\$ 7,244.00
0951	REAR CAMERA PRIMARY DISPLAY	1	\$ 0.00	\$ 0.00
1602	STEERING WHEEL	1	\$ 530.00	\$ 530.00
4067	JDPOWER TECH 9L ENGINE FINAL TIER 4	1	\$ 0.00	\$ 0.00
5134	MICHELIN XHA2 26.5 L3 2*	1	\$ 39,215.00	\$ 39,215.00
5553	FULL COV FRT FENDERS W FLAPS	1	\$ 0.00	\$ 0.00
6521	MAIN CNTERWEIGHT&HITCH W/PIN	1	\$ 0.00	\$ 0.00
7025	SINGLE AXIS LEVER CONTROLS	1	\$ 0.00	\$ 0.00
7053	TWO FUNCTION HYDRAULICS	1	\$ 0.00	\$ 0.00
7401	HYDRAULIC COUPLER JRB 420	1	\$ 11,882.00	\$ 11,882.00
7458	BOLT-ON CUTTING EDGE	1	\$ 2,116.00	\$ 2,116.00
7879	5.25 YD BUCKET	1	\$ 24,406.00	\$ 24,406.00
8295	HEATED AND POWERED MIRRORS	1	\$ 755.00	\$ 755.00
8500	COLD WEATHER PACKAGE	1	\$ 1,009.00	\$ 1,009.00
8501	DEBRIS PACKAGE	1	\$ 1,002.00	\$ 1,002.00
8502	MAINTENANCE & SERVICE PACKAGE	1	\$ 7,266.00	\$ 7,266.00
8505	GUARDS TRANSMISSION & BOTTOM	1	\$ 2,606.00	\$ 2,606.00
8508	AUXILARY EQUIPMENT PACKAGE	1	\$ 929.00	\$ 929.00
	AMBER BEACON & SEAT BELT INDICATOR LIGHT GREEN	1	\$ 0.00	\$ 0.00
	ENGINE AIR INTAKE SYSTEM W/ CENTRIFUGAL PRE-CLEANER	1	\$ 0.00	\$ 0.00
	CAB FRESH AIR PRE-CLEANER	1	\$ 0.00	\$ 0.00
	AUTO REVERSING HYD FAN	1	\$ 0.00	\$ 0.00
	QUICK FLUID SERVICE & ENVIRONMENTAL DRAIN	1	\$ 0.00	\$ 0.00
	MANUAL DIFF LOCK	1	\$ 0.00	\$ 0.00
	AXLE COOLING	1	\$ 0.00	\$ 0.00

Selling Equipment

Quote Id: 30304965

Customer: COUNTY OF SANTA BARBARA TAJIQUAS LANDFILL

STANDARD REAR DIFFERENTIAL	1	\$ 0.00	\$ 0.00
LOCKING FRONT DIFFERENTIAL	1	\$ 0.00	\$ 0.00
TIRE PRESSURE MONITORING SYSTEM	1	\$ 0.00	\$ 0.00
HEAVY DUTY AIR SUSPENSION SEAT	1	\$ 0.00	\$ 0.00
LED WORK LIGHT PACKAGE	1	\$ 0.00	\$ 0.00
30 AMP CONVERTER	1	\$ 0.00	\$ 0.00
Standard Options Total			\$ 98,960.00
Suggested Price			\$ 650,106.00
Customer Discounts			
Customer Discounts Total		\$ -88,472.80	\$ -88,472.80
Total Selling Price			\$ 561,633.20

Quote Id: 30314955

Prepared For:
COUNTY OF SANTA BARBARA TAJIQUAS LANDFILL



Prepared By: **STEPHEN SKROPITS**

Coastline Equipment Company
1930 Lockwood Street
Oxnard, CA 93036

Tel: 805-485-2106

Mobile Phone: 805-207-2194

Fax: 805-485-7963

Email: steve.skropits@coastlineequipment.com

Quote Summary

Prepared For:

COUNTY OF SANTA BARBARA TAJIQUAS LANDFILL
 14470 CALLE REAL
 GOLETA, CA 93117
 Business: 661-392-7765

Prepared By:

STEPHEN SKROPITS
 Coastline Equipment Company
 1930 Lockwood Street
 Oxnard, CA 93036
 Phone: 805-485-2106
 Mobile: 805-207-2194
 steve.skropits@coastlineequipment.com

This Is Sourcewell Contract Pricing For Santa Barbara County - Member ID# 35604

Quote Id: 30314955
Created On: 01 February 2024
Last Modified On: 09 February 2024
Expiration Date: 28 February 2024

New 2024 John Deere 744P Wheel Loader

List Price	\$638,311.00
Sourcewell Discount 30%	<u>(191,493.30)</u>
Total	\$446,817.70

Dealer Attachments

Factory Freight & PDI/Delivery	\$19,570.00
Roll Out 9YD Bucket / Installed	\$57,800.00
3rd Function Install	\$10,864.00
JDLink Satellite Kit & Install	\$3,425.00
Axle Seal Guards & Install	\$3,700.00
Articulation Joint Guards & Install	\$5,100.00
Boom Cyl & Cavity Guards & Install	<u>\$6,100.00</u>
Total	\$ 106,559.00

Sub-Total	\$553,376.70
Sales Tax 7.75%	<u>\$42,886.69</u>
Grand Total	\$596,263.39

Extended Warranty Options, Add To Sell Price If Desired:

Power Train & Hydraulic Coverage 5 Years or 10,000 Hrs.,
 Whichever Occurs First \$34,950 +tax
 Or,
 Comprehensive Coverage 5 Years or 10,000 Hrs., Whichever
 Occurs First \$56,630 +tax

ETA, From the factory is the second week of March. The Roll Out
 Bucket Is 5-6 weeks out from order date.
 With a signed order we can reserve for the County
 Subject To Prior Sale

Equipment Summary	Selling Price	Qty	Extended
2024 JOHN DEERE 744 P Wheel Loader	\$ 553,376.70 X	1 =	\$ 553,376.70
Equipment Total			\$ 553,376.70

Quote Summary

Equipment Total	\$ 553,376.70
SubTotal	\$ 553,376.70

Salesperson : X _____

Accepted By : X _____

Sales Tax - (7.75%)	\$ 42,886.69
Total	\$ 596,263.39
Down Payment	(0.00)
Rental Applied	(0.00)
Balance Due	\$ 596,263.39

Salesperson : X _____

Accepted By : X _____

Selling Equipment

Quote Id: 30314955

Customer: COUNTY OF SANTA BARBARA TAJIQUAS LANDFILL

2024 JOHN DEERE 744 P Wheel Loader

Hours: 4
Stock Number: 113585

				Selling Price
				\$ 553,376.70
Code	Description	Qty	Unit	Extended
6080DW	2024 JOHN DEERE 744 P FOUR WHEEL DRIVE LOADER	1	\$ 551,146.00	\$ 551,146.00
Standard Options - Per Unit				
183E	JDLINK	1	\$ 0.00	\$ 0.00
0202	UNITED STATES	1	\$ 0.00	\$ 0.00
0259	ENGLISH OPS MANUAL	1	\$ 0.00	\$ 0.00
0451	Z-BAR CONFIGURATION	1	\$ 0.00	\$ 0.00
0603	LEVEL 3 TRIM	1	\$ 7,244.00	\$ 7,244.00
0951	REAR CAMERA PRIMARY DISPLAY	1	\$ 0.00	\$ 0.00
1602	STEERING WHEEL	1	\$ 530.00	\$ 530.00
4067	JDPOWER TECH 9L ENGINE FINAL TIER 4	1	\$ 0.00	\$ 0.00
5134	MICHELIN XHA2 26.5 L3 2*	1	\$ 39,215.00	\$ 39,215.00
5553	FULL COV FRT FENDERS W FLAPS	1	\$ 0.00	\$ 0.00
6521	MAIN CNTRWEIGHT&HITCH W/PIN	1	\$ 0.00	\$ 0.00
7025	SINGLE AXIS LEVER CONTROLS	1	\$ 0.00	\$ 0.00
7053	TWO FUNCTION HYDRAULICS	1	\$ 0.00	\$ 0.00
7408	FACTORY PIN-ON BUCKET	1	\$ 0.00	\$ 0.00
7458	BOLT-ON CUTTING EDGE	1	\$ 2,116.00	\$ 2,116.00
7880	5.5 YD BUCKET	1	\$ 22,682.00	\$ 22,682.00
8293	BUCKET GUARDING PACKAGE	1	\$ 1,811.00	\$ 1,811.00
8295	HEATED AND POWERED MIRRORS	1	\$ 755.00	\$ 755.00
8500	COLD WEATHER PACKAGE	1	\$ 1,009.00	\$ 1,009.00
8501	DEBRIS PACKAGE	1	\$ 1,002.00	\$ 1,002.00
8502	MAINTENANCE & SERVICE PACKAGE	1	\$ 7,266.00	\$ 7,266.00
8505	GUARDS TRANSMISSION & BOTTOM	1	\$ 2,606.00	\$ 2,606.00
8508	AUXILARY EQUIPMENT PACKAGE	1	\$ 929.00	\$ 929.00
	AMBER BEACON & SEAT BELT INDICATOR LIGHT GREEN	1	\$ 0.00	\$ 0.00
	30 AMP CONVERTER	1	\$ 0.00	\$ 0.00
	LED WORK LIGHT PACKAGE	1	\$ 0.00	\$ 0.00
	HEAVY DUTY AIR SUSPENSION SEAT	1	\$ 0.00	\$ 0.00
	TIRE PRESSURE MONITORING SYSTEM	1	\$ 0.00	\$ 0.00
	LOCKING FRONT DIFFERENTIAL	1	\$ 0.00	\$ 0.00

Selling Equipment

Quote Id: 30314955

Customer: COUNTY OF SANTA BARBARA TAJIQUAS LANDFILL

STANDARD REAR DIFFERENTIAL	1	\$ 0.00	\$ 0.00
AXLE COOLING	1	\$ 0.00	\$ 0.00
MANUAL DIFF LOCK	1	\$ 0.00	\$ 0.00
QUICK FLUID SERVICE & ENVIRONMENTAL DRAIN	1	\$ 0.00	\$ 0.00
AUTO REVERSING HYD FAN	1	\$ 0.00	\$ 0.00
CAB FRESH AIR PRE-CLEANER	1	\$ 0.00	\$ 0.00
ENGINE AIR INTAKE SYSTEM W/ CENTRIFUGAL PRE-CLEANER	1	\$ 0.00	\$ 0.00
Standard Options Total			\$ 87,165.00
Suggested Price			\$ 638,311.00
Customer Discounts			
Customer Discounts Total		\$ -84,934.30	\$ -84,934.30
Total Selling Price			\$ 553,376.70

POWERSCREEN of CALIFORNIA, HAWAII & NEVADA

MOBILE TROMMEL SCREENER
Terex Ecotec (Powerscreen) Phoenix 3300

January 24, 2024

Customer: **CCOUNTY OF SANTA BARBARA**
Location: **123 East Anapamu, Santa Barbara, CA 93101**
Our Ref: **2024-3371**



COUNTY of
SANTA BARBARA



www.PowerscreenOfCalifornia.com

Main Office: 1205 Business Park Drive, Dixon, CA 95620
Tel: (888) 797-7276 Email: info@PowerscreenOfCalifornia.com

All images are for illustration purposes.





POWERSCREEN OF CALIFORNIA, HAWAII & NEVADA

MAIN OFFICE

1205 Business Park Drive,
Dixon, CA 95620
Tel: (707) 253-1874
Fax: (707) 253-1896
Toll Free: (888) 797-7276

SOUTHERN CALIFORNIA

27010 Watson Road
Romoland, CA 92585
Tel: (951) 928-1297
Fax: (707) 253-1896
Toll Free: (888) 797-7276

NEVADA

151 Old Como Road,
Dayton, NV 89403
Toll Free: (888) 797-7276
Fax: (707) 253-1896

www.PowerscreenOfCalifornia.com

info@PowerscreenOfCalifornia.com

January 24, 2024

Mr. Marty Wilder
COUNTY OF SANTA BARBARA
123 East Anapamu,
Santa Barbara,
CA 93101

Our Ref: 2024-3371

Dear Mr. Wilder,

I am pleased to enclose for you quote for our **Terex Ecotec (Powerscreen) Phoenix 3300** mobile trommel screeners

We are the exclusive dealer in California, Hawaii & Nevada for the complete range of **Powerscreen** equipment - *both tracked diesel AND the brand new portable electric Powerscreen Gladiator* portfolio.

In addition we are also the exclusive dealer for **TEREX Washing Systems (TWS), TEREX Ecotec, TEREX EvoQuip, Continental Biomass Industries (CBI), Telestack, MDS Heavy Duty Trommels** and **MGL Engineering**.

I trust you will find this offer competitive.

Please feel free to contact Gary McConn or our sales rep Tom O'Malley cell: 909.289.9080 if you require clarification on any of the enclosed.

Best Regards,

Andrew Gillen
SENIOR VICE PRESIDENT OF SALES
Cell: (707) 334-0814
E-Mail: andrew@PowerscreenOfCalifornia.com

cc: Gary McConn
PRESIDENT
Cell: (707) 479-8441
E-mail: gary@PowerscreenOfCalifornia.com

QUOTE

**Images are for illustration purposes only*



Sourcewell 

Sourcewell Solicitation Number:
RFP #030923

NEW TEREX ECOTEC (POWERSCREEN) PHOENIX 3300
Mobile Trommel Screener

MSRP:
\$ 555,329.24

SOURCEWELL MEMBER PRICING (MSRP less 8%):
\$ 510,902.90

CUSTOMER



COUNTY of
SANTA BARBARA

SALES DETAILS

1. Price above EXCLUDES delivery to customers site.
2. Price above EXCLUDES any applicable taxes.
3. Year.
4. Engine.
5. Price above is per trommel.
6. Price above is the same for diesel, and electric driven trommels.
7. Quote valid for 30 days from date on cover sheet.

EXCLUDED

EXCLUDED

2023

CAT 4.4 Tier 4 Final 



POWERSCREEN® PHOENIX 3300

TROMMEL SCREEN



TECHNICAL SPECIFICATION - REV 3 01/02/2023





PHOENIX 3300



OVERVIEW

SPECIFICATION

Total Weight	37,500kg (82,673lbs) - depending on options
Transport	Length 21.1m (69' 2")
	Height 4.1m (13' 6")
	Width 3m (9' 10")
Working	Length 32.3m (105' 9")
	Width 15.8m (51' 8")
	Height 5.9m (19' 4")

The Phoenix 3300 is designed to offer unrivalled production throughput and application flexibility.

The Powerscreen Phoenix 3300 trommel screen is designed to offer unrivalled production throughput and application flexibility. The robust design with optional features such as heavy duty tipping grid or double deck vibrating grid make the Phoenix 3300 the most versatile trommel on the market today. The machine performs equally well in heavy C&D applications as it does in high volume compost production. The 180° swivel fines conveyor, with a 5.89m (19' 3") discharge, means the machine can generate massive stockpiles. This swivel feature can be controlled via a radio remote while the machine is in operation, minimising downtime.

A powerful four wheel drive system with high performance friction grip wheels is used to turn the trommel drum giving operators the ability to run bi-directionally. Woven mesh or heavy duty punch plate panels can be fitted to the trommel drum ensuring all application requirements are met.

Caterpillar Tier 3 or Tier 4 engines combined with powerful hydraulics and auto feeder speed control guarantee the machine is always working at its optimum. A fifth wheel connection, triple axle bogie and a rapid setup time make the machine highly mobile.

The Phoenix 3300 is highly efficient in the separation and processing of wood chippings, top soil, compost, green waste, C&D waste and aggregates.



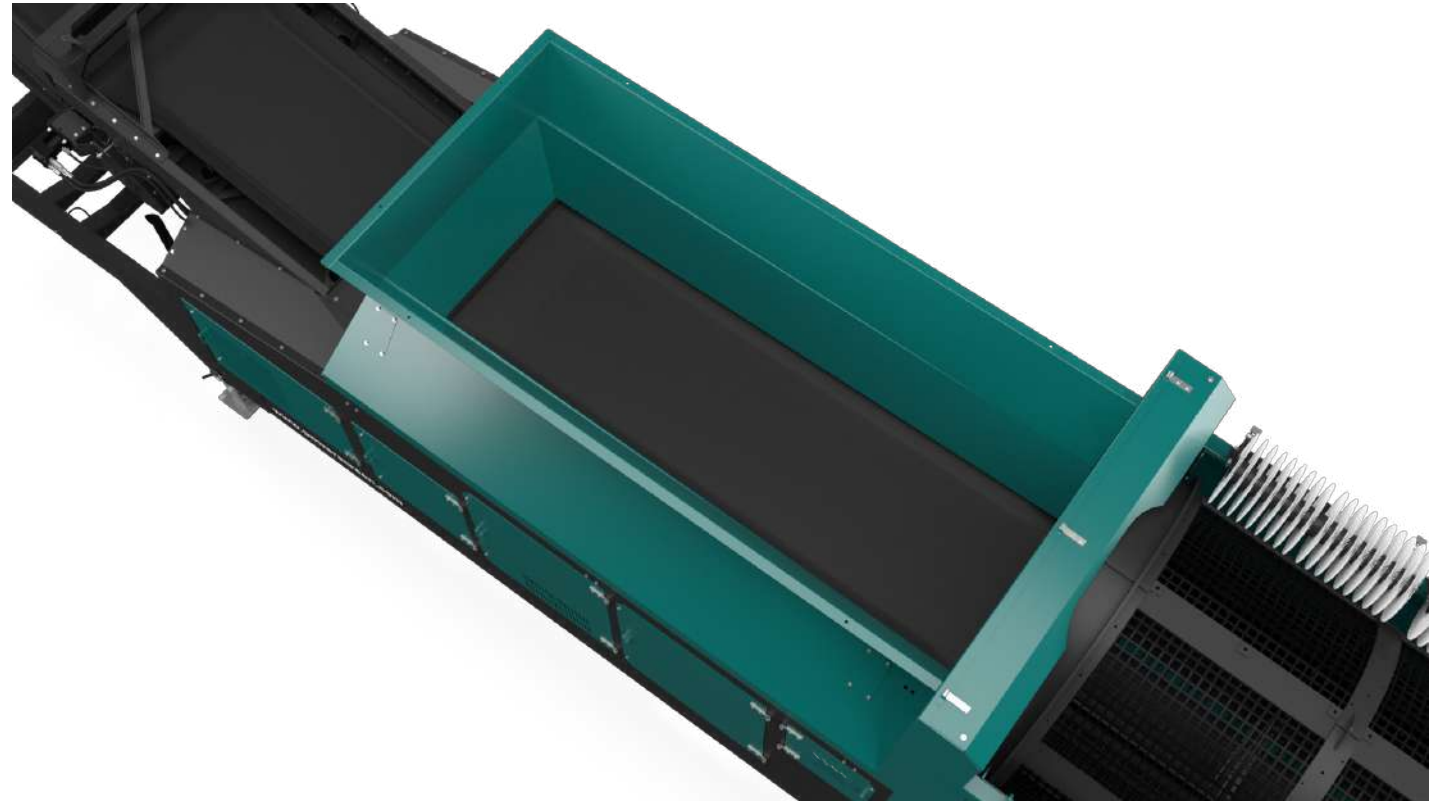


PHOENIX 3300



HOPPER AND BELT FEEDER

- 7.8m³ (10.2yd³) capacity
- 4.6m (15' 1") feeder length
- 1500mm (59") 3 ply plain belt, 4 + 2 covers
- Variable speed control c/w load sensing and automatic feeder shutdown
- Hopper extensions





PHOENIX 3300



DRUM

- 9.31m (30' 6") Length
- 2.32m (7' 6") Diameter
- 52m² (560ft²) screening area
- Friction four wheel drum drive system
- Variable speed control
- Mesh or Punch plate panels
- Inclined drum
- Variable operating angle 4.5° - 6°
- Tumbling action c/w nylon cleaning brushes
- Service access doors for maintenance



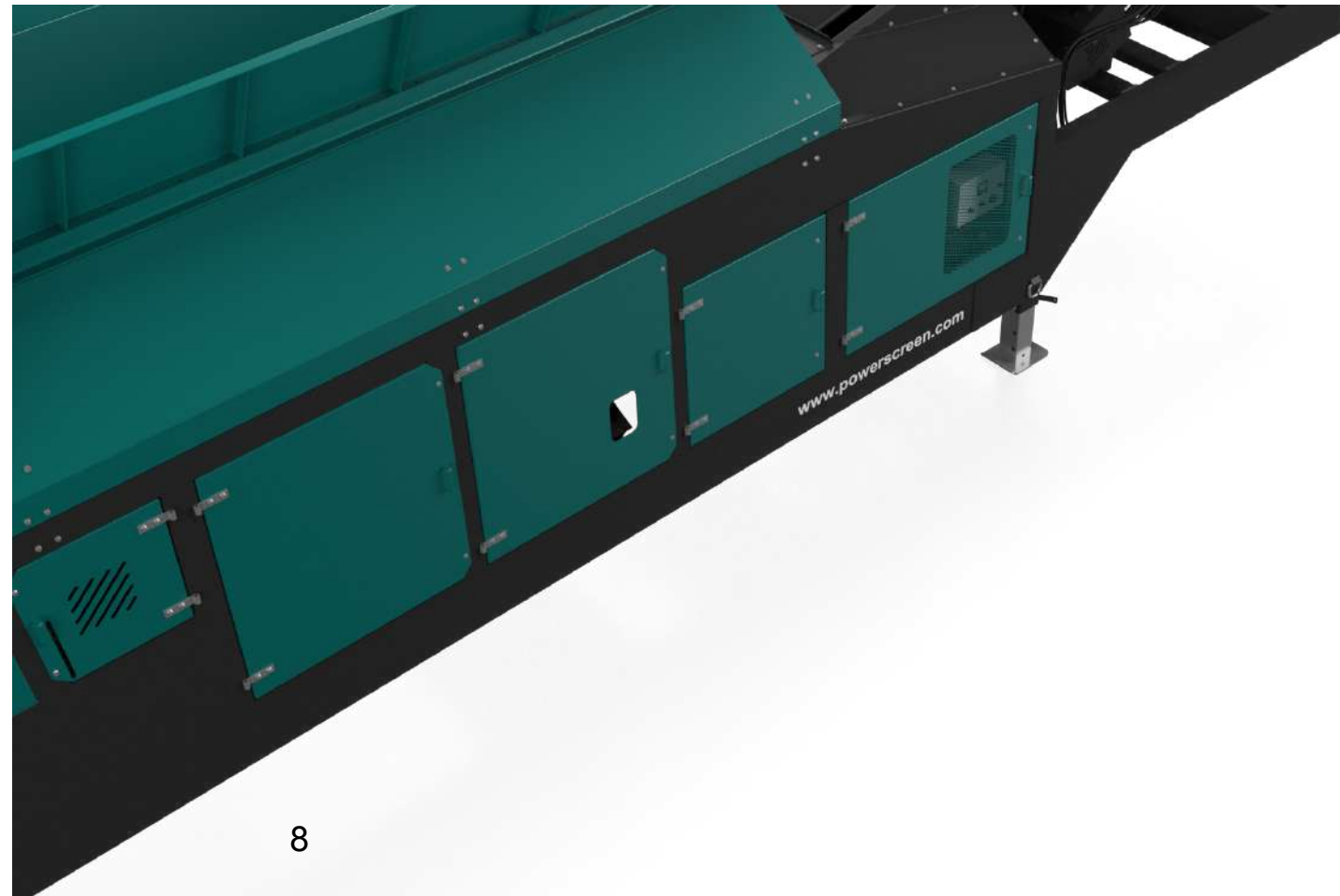


PHOENIX 3300



↓ POWER UNIT & HYDRAULICS

- Caterpillar C7.1 Tier 3, 151kW (202 hp), 2200rpm max
- Caterpillar C4.4 Tier 4F 129kW (173hp), 2200rpm max (option)
- Caterpillar C4.4 Stage V 129kW (173hp)
- Fuel tank capacity 610L (134 Gal) (161 US Gal)
- Hydraulic tank 714L (157 Gal) (189 US Gal)
- Excellent service access
- Powerful hydraulics





PHOENIX 3300



COLLECTION CONVEYOR

- 1500mm (59") 3 ply plain belt, 4 + 2 covers
- Fully skirted & sealed
- Variable speed control





PHOENIX 3300



↓ FINES DISCHARGE CONVEYOR

- 1200mm (47") 3 ply plain belt, 4 + 2 covers
- Remote control 180° swivel
- Variable operating angle 10° - 28°
- Discharge height 5.89m (19' 3") @ 28°
- Variable speed control
- Hydraulic folding





PHOENIX 3300



↓ OVERSIZE CONVEYOR

- 1200mm (47") 3 ply chevron belt, 4 + 2 covers
- Full length skirting
- Variable speed control
- Hydraulic folding
- Variable operating angle 10° - 28°
- Discharge height 4.16m (13' 7") @ 28°





PHOENIX 3300



BOGIE

- 3 axles, 10 studs
- Suspension type leaf spring
- Super single c/w 445/65 R22.5 tyres
- Fifth wheel connection
- Airbrakes





PHOENIX 3300



OPTIONS

- Remote control tipping grid 100mm (4")
- Remote control tipping grid 150mm (6")
- 2 Deck vibrating grid c/w tri-axle bogie
- Tipping grid discharge chute
- Heavy duty woven mesh
- Punch plate
- Different colour paint
- Electric/Hydraulic - 75kW & 50kW electric motor drive
- Powerscreen Pulse





PHOENIX 3300




↓ POWERSCREEN PULSE

RECORD, DISPLAY AND ANALYSE DATA:


HIGH EFFICIENCY THROUGH PRECISE INFORMATION

Available online anywhere and at any time: comprehensive information on the GPS location, start and stop times, fuel consumption, tonnages, cone settings, wear ratings, operating hours, maintenance status, and much more.







AVAILABLE ANYWHERE AND AT ANY TIME




DASHBOARD DISPLAY




FLEET OVERVIEW



WEEKLY REPORT DIRECT TO YOUR INBOX



GPS: MACHINE TRACKING



REPORTING UTILISATION, PERFORMANCE & PART SPECIFIC

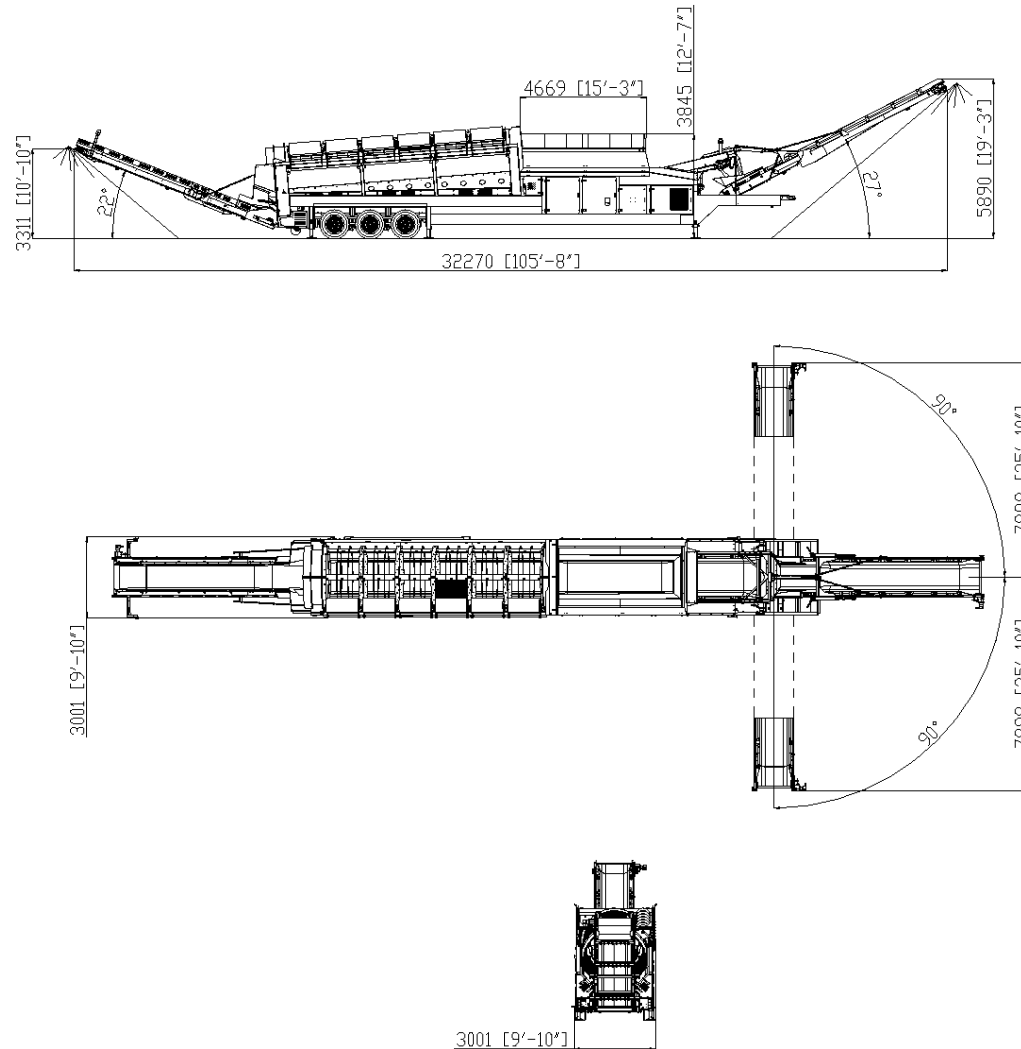


PHOENIX 3300



↓ DIMENSIONS

Figure 1: Phoenix 3300
Working Position





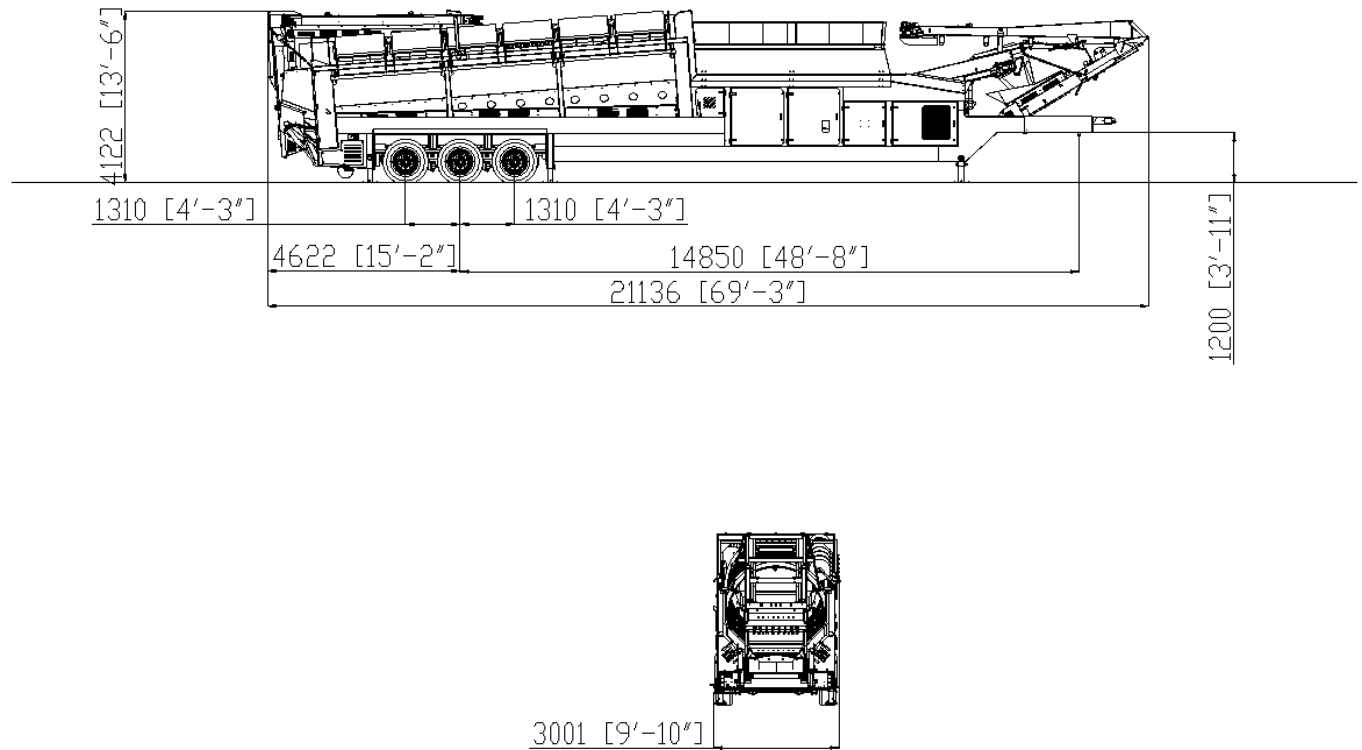
PHOENIX 3300



DIMENSIONS

Figure 2: Phoenix 3300
Transport Position

Please note: It is the dealers responsibility to ensure the plant is road legal in their region.





Powerscreen equipment complies with CE requirements.

Please consult Powerscreen if you have any other specific requirements in respect of guarding, noise or vibration levels, dust emissions, or any other factors relevant to health and safety measures or environmental protection needs. On receipt of specific requests, we will endeavour to ascertain the need for additional equipment and, if appropriate, quote extra to contract prices.

All reasonable steps have been taken to ensure the accuracy of this publication, however due to a policy of continual product development we reserve the right to change specifications without notice.

It is the importers' responsibility to check that all equipment supplied complies with local legislation regulatory requirements.

Plant performance figures given in this brochure are for illustration purposes only and will vary depending upon various factors, including feed material gradings and characteristics. Information relating to capacity or performance contained within this publication is not intended to be, nor will be, legally binding.

GET IN TOUCH

Dungannon

200 Coalisland Road, Dungannon,
Co Tyrone, BT71 4DR, Northern Ireland
Tel: +44 (0) 28 87 718 500
Fax: +44 (0) 28 87 747 231

Louisville

11001 Electron Drive,
Louisville, Kentucky, 40299 USA
Tel: +1 502 736 5200
Fax: +1 502 736 5202

APPENDIX 1 - ENGINE OPTIONS – Powerunit options that may be fitted in place of technical specification offering subject to availability

Screens – Tier 4 Final

CAT C4.4 82kW (110hp) @ 2200rpm as per Chieftain 1400, Chieftain 1500, Chieftain 2100X 2 deck, Chieftain 2200 2 deck and Warrior 1800

Option 1.) CAT C3.6 82kW (110hp) @ 2200rpm

Option 2.) CAT C4.4 102kW (137hp) @ 2200rpm

CAT C4.4 98kW (131hp) @ 2200rpm as per Chieftain 2100X 3 deck and Chieftain 2200 3 deck

Option 1.) CAT C4.4 102kW (137hp) @ 2200rpm

CAT C4.4 82kW (110hp) @ 1800rpm as per Chieftain 1700X and Warrior 1400X

Option 1.) CAT C3.6 82kW (110hp) @ 1800rpm

Option 2.) CAT C4.4 98kW (131hp) @ 1800rpm

Screens – Stage V

CAT C4.4 102kW (137hp) @ 2200rpm as per Chieftain 1400, Chieftain 1500, Chieftain 2100X, Chieftain 2200 and Warrior 1800

Option 1.) CAT C3.6 82kW (110hp) @ 2200rpm

Option 2.) JCB 4.8 81kW (109hp) @ 2200rpm

Option 3.) JCB 4.8 97kW (130hp) @ 2200rpm

Option 4.) Deutz TD3.6 100kW (134hp) @ 2200rpm

CAT C4.4 98kW (131hp) @ 1800rpm as per Chieftain 1700X, Warrior 1400X and Warrior 2100

Option 1.) CAT C3.6 82kW (110hp) @ 1800rpm

Option 2.) CAT C4.4 98kW (131hp) @ 1800rpm

Option 3.) JCB 4.8 80kW (108hp) @ 1800rpm

Option 4.) Deutz TD3.6 92kW (123hp) @ 1800rpm

TEREX ECOTEC (POWERSCREEN) PHOENIX 3300

MOBILE TROMMEL SCREENER



POWERSCREEN of CALIFORNIA, HAWAII & NEVADA
Tel: (888) 797-7276 | www.PowerscreenOfCalifornia.com | info@PowerscreenOfCalifornia.com



TEREX ECOTEC (POWERSCREEN) PHOENIX 3300

MOBILE TROMMEL SCREENER



POWERSCREEN of CALIFORNIA, HAWAII & NEVADA
Tel: (888) 797-7276 | www.PowerscreenOfCalifornia.com | info@PowerscreenOfCalifornia.com



Powerscreen of California, Hawaii & Nevada

MAIN OFFICE:

1205 Business Park Drive | Dixon | CA 95620
Tel: (707) 253-1874

SOUTHERN CALIFORNIA OFFICE:

27010 Watson Road | Romoland | CA 92585
Tel: (888) 797-7276

NEVADA OFFICE:

151 Old Como Road | Dayton | NV 89403
Tel: (888) 797-7276

www.PowerscreenOfCalifornia.com
info@PowerscreenOfCalifornia.com

