



**LAGUNA COUNTY SANITATION DISTRICT  
SANTA BARBARA COUNTY  
CALIFORNIA**

**ENGINEERING DESIGN STANDARDS  
FOR THE CONSTRUCTION OF SANITARY SEWERS**

**Board of Directors**

**Mr. Das Williams**

**Mr. Gregg Hart**

**Ms. Joan Hartmann**

**Mr. Peter Adam**

**Mr. Steve Lavagnino**

**Public Works Department Director**

**Mr. Scott D. McGolpin**

**Resource Recovery and Waste Management Division Deputy Director**

**Ms. Leslie Wells**

**Utilities Manager**

**Mr. Martin Wilder**



**LAGUNA COUNTY SANITATION DISTRICT  
SANTA BARBARA COUNTY  
CALIFORNIA**

Approved by District Engineer / Manager:

---

Martin Wilder

---

Date

**ENGINEERING DESIGN STANDARDS  
FOR THE CONSTRUCTION OF SANITARY SEWERS**

- SECTION 1 INTRODUCTION
- SECTION 2 GENERAL
- SECTION 3 ENGINEERING DESIGN STANDARDS
- SECTION 4 PROCESSING AND DOCUMENTATION
- SECTION 5 CONSTRUCTION NOTES
- SECTION 6 RULES AND REGULATIONS
- SECTION 7 STANDARD DRAWINGS AND ATTACHMENTS

# TABLE OF CONTENTS

<b>SECTION 1 - INTRODUCTION</b>	<b>1-1</b>
1.01 HISTORY AND SERVICE AREA	1-1
1.02 STANDARDS	1-1
1.03 OTHER STANDARDS	1-1
1.04 EXCEPTIONS	1-1
1.05 ADOPTION	1-1
<b>SECTION 2 - GENERAL</b>	<b>2-1</b>
2.01 SEWER SYSTEM JURISDICTION	2-1
2.02 PERSONS AUTHORIZED TO CONSTRUCT SEWER IMPROVEMENTS	2-1
2.03 CONSTRUCTION AUTHORIZATION	2-1
2.04 LIABILITY OF SEWER IMPROVEMENTS	2-1
<b>SECTION 3 - ENGINEERING DESIGN STANDARDS</b>	<b>3-1</b>
3.01 EXISTING UNDERGROUND UTILITIES	3-1
3.02 CONNECTING TO EXISTING SEWER	3-1
3.03 SEWER LINES NEAR WELLS	3-1
3.04 SEWER LINES NEAR WATER LINES	3-1
3.05 OTHER UTILITY SEPARATION	3-1
3.06 SEWER LINES IN FILL AREAS	3-2
3.07 SEWER LINES NEAR BUILDINGS	3-2
3.08 DEPTH OF MAIN LINE SEWER	3-2
3.09 MINIMUM SIZE SEWER	3-2
3.10 ACCEPTABLE PIPE MATERIALS	3-2
3.11 SEWER REPAIR AND REPLACEMENT MATERIAL	3-3
3.12 SEWERS IN STREETS	3-3
3.13 SEWERS IN ALLEYS	3-3
3.14 SEWERS IN EASEMENTS AND PRIVATE ROADS	3-3
3.15 HORIZONTAL CURVES	3-4
3.16 VERTICAL CURVES	3-4
3.17 TRUNK SEWERS AND COLLECTOR SEWERS	3-4
3.18 BEDDING AND BACKFILL	3-4
3.19 WYES	3-5
3.20 LATERAL SEWERS	3-5
3.21 BACKWATER CONTROL DEVICE	3-6
3.22 MANHOLE CONFIGURATION	3-6
3.23 MANHOLE SPACING AND LOCATION	3-6
3.24 PIPE ANGLES AT MANHOLES	3-7
3.25 MANHOLE FRAME AND COVERS	3-7
3.26 RIM ELEVATIONS OF MANHOLES	3-7
3.27 MANHOLE LINING	3-7
3.28 DROP MANHOLES	3-7
3.29 WASTEWATER FLOW GENERATION	3-7

3.30	SEWER CAPACITY STUDY	3-9
3.31	LIFT STATIONS AND FORCE MAINS	3-9
3.32	PRIVATE LIFT STATIONS	3-10
3.33	INDIVIDUAL PRIVATE LIFT STATIONS	3-10
3.34	UNUSED FACILITIES	3-10
3.35	GREASE CONTROL	3-10
3.36	SWIMMING POOLS	3-10
3.37	DEFINITIONS	3-11
<b>SECTION 4 - PROCESSING AND DOCUMENTATION</b>		<b>4-1</b>
4.01	APPLICATION FOR SEWER SERVICE	4-1
4.02	AVAILABILITY AND CAN-AND-WILL SERVE LETTERS	4-1
4.03	BOUNDARY REORGANIZATION AND SPHERE OF INFLUENCE	4-1
4.01	FINAL MAPS, PARCEL MAPS AND DEEDS	4-2
4.04	FEES AND CHARGES	4-2
4.05	SEWER SERVICE BY USER CATEGORY	4-2
4.06	MULTIPLE SEWER CONNECTIONS	4-2
4.07	ILLEGAL CONNECTIONS	4-2
4.08	IMPROVEMENT PLANS	4-3
4.09	SITE, PLUMBING, LANDSCAPING AND GRADING PLANS	4-4
4.10	ROAD ENCROACHMENT PERMITS	4-4
4.11	OTHER PERMITS	4-4
4.12	SPECIALIZED WORK	4-4
4.13	DEVELOPER AGREEMENTS	4-4
4.14	REIMBURSEMENT FOR OVER SIZING SEWER TRUNK LINES	4-4
4.15	CONSTRUCTION OF SEWER IMPROVEMENTS	4-5
4.16	SEWER SYSTEM INSTALLATION INSPECTION	4-5
4.17	ONSITE INSPECTIONS	4-5
4.18	TESTING	4-5
4.19	CCTV VIDEO INSPECTION	4-6
4.20	PROTECTION OF EXISTING BUILDINGS DURING CONSTRUCTION	4-6
4.21	PROTECTION OF EXISTING SEWER SYSTEM DURING CONSTRUCTION	4-6
4.22	TIME LIMITS	4-6
4.23	CHANGES IN WORK	4-6
4.24	RECORD DRAWINGS	4-6
4.25	CONSTRUCTION ACCEPTANCE	4-7
4.26	PROJECT COST INFORMATION	4-7
<b>SECTION 5 - CONSTRUCTION NOTES</b>		<b>5-1</b>
5.01	PUBLIC IMPROVEMENT PLAN NOTES	5-1
5.02	STANDARD DRAWINGS	5-3
<b>SECTION 6 - RULES AND REGULATIONS</b>		<b>6-1</b>
6.01	GOVERNMENTAL STRUCTURE	6-1
	<i>SANTA BARBARA COUNTY CODE, CHAPTER 29, ARTICLE I. IN GENERAL</i>	6-1
	<i>SANTA BARBARA COUNTY CODE, CHAPTER 29, ARTICLE II. NOT</i>	

<i>APPLICABLE TO SEWER SYSTEMS</i>	6-2
<i>SANTA BARBARA COUNTY CODE, CHAPTER 29, ARTICLE III. DISCHARGE INTO LAGUNA COUNTY SANITATION DISTRICT TREATMENT SYSTEM</i>	6-2
<i>SANTA BARBARA COUNTY CODE, CHAPTER 29, ARTICLE IV. NOT APPLICABLE TO SEWER SYSTEMS</i>	6-17
<i>SANTA BARBARA COUNTY CODE, CHAPTER 24A</i>	6-17
<b>SECTION 7 - STANDARD DRAWINGS AND ATTACHMENTS</b>	<b>7-1</b>

ATTACHMENTS

A - Water Main Separation

B - Laguna County Sanitation District Sewer Service Application

**LAGUNA COUNTY SANITATION DISTRICT**  
**ENGINEERING DESIGN STANDARDS**

**SECTION 1 - INTRODUCTION**

1.01 **History and Service Area**

The Laguna County Sanitation District (District) was formed December 29, 1958 by the Santa Barbara County Board of Supervisors (ex-officio District Board of Directors) per Resolution 18598 pursuant to the County Sanitation District Act as contained in Division 5, Part 3, Chapter 3 of the State Health and Safety Code commencing with Section 4700. The District provides sewer service for the Orcutt and southern and mostly unincorporated Santa Maria area. This area loosely defines the District's service territory.

1.02 **Standards**

The District is authorized to prescribe development standards pursuant to Health and Safety Code Section 4762.1. This manual covers the rules, regulations and standards for the preparation and processing of plans and specifications for sanitary sewers to be constructed under public and private contracts under the jurisdiction of the District. This manual also addresses documentation for obtaining wastewater collection services from the District.

1.03 **Other Standards**

In addition to the requirements given in this manual, the applicant shall comply with the applicable sections in the latest edition of the *Standard Specifications for Public Works Construction* (SSPWC), "The Greenbook," and the latest edition of the *California Plumbing Code* as adopted by the enforcing jurisdiction. In the event of any inconsistency or conflict between said publications and this manual, this manual shall control. Any special conditions of construction imposed by the District and will supersede conditions that may be in conflict with this manual.

1.04 **Exceptions**

The policies prescribed in these standards are expected to apply to the majority of sewer design and construction situations. The District may in its sole and absolute discretion, make exceptions where application of the policies to a particular situation result in an unreasonable requirement not in the District's and/or the public's best interest.

1.05 **Adoption**

This manual and these standards were adopted by the District Board of Directors on **ADOPTION DATE**. The adoption of this manual and standards supersede any adopted prior.

## SECTION 2 - GENERAL

### 2.01 Sewer System Jurisdiction

The Laguna County Sanitation District has jurisdiction of sewage conveyance facilities in public road rights of way, and designated easements as well as on properties served by the District for the purposes of inspection, observation, measurement, sampling and testing. Private roadways and easements shall be dedicated and accepted by the District by map or deed. The District, upon acceptance, shall own sewer mains and trunk lines inclusive of wyes. The lateral pipeline from the wye to a structure being served shall be considered as privately owned by the landowner. Onsite sewer collection systems serving commercial or condominium developments, shall be considered to be privately owned unless otherwise indicated. The local planning or building agency has inspection jurisdiction for onsite sanitary drainage facilities.

### 2.02 Persons Authorized to Construct Sewer Improvements

Public sewer construction related to land development projects shall be performed by authorized contractors, licensed by the State of California. The requirements of this section shall also apply to lateral connections to public sewer mains.

### 2.03 Construction Authorization

No unauthorized person shall uncover, connect onto, open, use, alter, or disturb any public sewer or appurtenance, or perform work on any public sewer system without first obtaining written authorization from the District. Such authorization shall be shown upon the demand of any District authorized representative.

### 2.04 Liability of Sewer Improvements

The applicant, and/or the applicant's agents shall be solely liable for any defects or failure during performance of the work or any failure, which may develop therein for the period of one (1) year from the date of acceptance. The District, its officers, employees, agents, contractors, representatives, successors and assigns shall not be answerable for any liability, death or injury to persons or property damage due to or arising out of the performance of the work by the applicant or the applicant's agents. The applicant shall answer for and save the District, its officers, employees, agents, contractors, representatives, successors and assigns from all liabilities imposed by law, including all costs, expenses, fees and interest incurred in seeking to enforce this provision.

## SECTION 3 - ENGINEERING DESIGN STANDARDS

### 3.01 Existing Underground Utilities

The location and depth of underground utilities affect the layout of proposed sewer improvements. Plans must show existing and proposed underground works with respect to horizontal and vertical alignment. The applicant, at their expense, may be required to excavate and expose existing utilities to determine their location and elevation. The contractor shall notify Underground Service Alert as required per Government Code section 4216 et seq. for existing underground utility marking.

The District is not responsible for the accuracy of the location of these underground lines. Approval of sewer plans by the Laguna County Sanitation District does not constitute a representation for the accuracy of the location of, or the existence of, any underground utility, conduit or structure within the limits of the project.

### 3.02 Connecting to Existing Sewer

Where the proposed sewer connects to an existing manhole, the elevation of the inlets and outlets of the existing manhole shall be shown in profile as determined by field survey. In the event a new manhole is proposed on an existing sewer pipeline, the elevations of the existing sewer in the first manhole on each side of the proposed junction structures shall be determined by field survey. The engineer should be prepared to submit the field notes of the survey if requested to do so.

### 3.03 Sewer Lines near Wells

The spacing between sewer lines and potable supply wells shall be per *California Department of Water Resources Bulletins 74-81 and 74-90*, any applicable updates thereto, and Section 721.1 of the *California Plumbing Code*, which require a minimum horizontal spacing of 50'.

### 3.04 Sewer Lines near Water Lines

Separation between water and sewer lines for parallel and perpendicular construction shall comply with Title 22, Division 4, Chapter 16, Article 4 Section 64572 of the California Code of Regulations (CCR) "*Water Main Separation*" or code section of current date. This requires a vertical water separation of 12" above sewer lines and a horizontal separation of 10' between water and sewer lines. This document is included as Attachment A.

### 3.05 Other Utility Separation

Vertical clearance between sewer lines crossing under or over underground utilities (except water lines) shall be not less than 6" or as directed by the other utility. Any clearance less than 6" shall require concrete encasement of the sewer line. Horizontal clearance between sewer lines and facilities from utilities (except



water lines) shall be not less than 12" from the outside edge of the pipe or as directed by the other utility.

3.06 **Sewer Lines in Fill Areas**

Fill areas above sewer lines must be shown on the profile. The proposed finished surface over the sewer line must be shown by a solid line and the original surface must be shown by a dashed line and labeled "Compacted Fill" with arrows to the limits.

3.07 **Sewer Lines near Buildings**

Sewer lines shall be located outside the building load distribution line considered to begin 3' from the wall of the building and extending downward at a 45° angle.

3.08 **Depth of Main Line Sewer**

The minimum depth of a sewer main shall be designed so that laterals connected to them have a minimum cover of 4' within the right of way (typically at the property line). The District may require greater depths when it is necessary to extend the main line sewer to serve other areas to provide for future improvements.

3.09 **Minimum Size Sewer**

The minimum size of any public sewer main shall be 8" in diameter. A 6" main may be considered at the end of the line such as in a cul-de-sac provided minimum slopes are adequate and the number of residential unit equivalents to be served does not exceed ten.

3.10 **Acceptable Pipe Materials**

The type of pipe materials used shall be clearly shown on the profile. The following is a list of acceptable pipe materials used in the construction of new District sewer lines:

PVC - Polyvinyl Chloride Pipe/ ASTM D 3034 (4 inch - 15 inch), ASTM F679 (18 inch - 30inch). SDR 26 may be required when heavier loads are anticipated.

PE - Polyethylene/ ASTM D 3350 or ASTM F 714

Where reference is made to an American National Standards Institute (ANSI), American Society of Testing Materials (ASTM), or American Water Works Association (AWWA) designation, it shall be the latest revision at the time of construction, except as noted on the plans or special provisions.

Class of pipe, material composition, and all fitting and joint materials and installation shall comply with the latest edition of the *Standard Specifications for Public Works Construction*.

Solvent joints are not acceptable on sewer main and sewer lateral installations.

3.11 **Sewer Repair and Replacement Material**

Polyvinyl chloride (PVC) or polyethylene (PE) materials shall be used when replacing or repairing sections on existing sewers with approved coupling devices that centers the inside of the pipe, and has lateral restraint such as MaxAdaptor or approved equal.

3.12 **Sewers in Streets**

Every effort shall be made to locate sewers in paved areas accessible by sewer pipeline cleaning and inspection equipment even though a greater depth is required than in a non-paved alignment. This is to avoid access issues and difficulties in maintaining and repairing sewers located in offsite such as in easements.

Sewer lines shall be constructed in straight lines where possible, and generally along the street centerline. No portion of the sewer line shall be constructed such that a manhole cover is within 5' of the edge of a concrete gutter. No manhole cover shall be constructed more than 6' from the centerline of the street unless permitted by the District. See District Standard Drawing No. 1.

3.13 **Sewers in Alleys**

Sewers constructed in alleys shall be located in the center of the alley, except where center gutters are used. Sewers shall not be located closer than five feet to the adjacent property line and shall be a minimum of five feet from the gutter line.

3.14 **Sewers in Easements and Private Roads**

When proposed sewer main lines are not located in existing or proposed public roadways, easements shall be dedicated to the Laguna County Sanitation District pursuant to Health and Safety Code Section 4740 and shall be subject to review and approval by the District. This includes sewer facilities to be located in private streets and offsite locations. Dedication to and acceptance by the District is required on parcel and final maps. Easement deeds granting rights of way to the District are required for offsite sewer lines. Public utility easements (PUE) are not acceptable for dedicating easements to the District.

Sewer lines located in easements must include access for maintenance and repair equipment. An approved all-weather surface, i.e., class 2 aggregate base over compacted subgrade, is allowed for grades not exceeding 10%. The surface shall be paved with a minimum of 2" asphalt over 6" class 2 aggregate base for grades exceeding 10%. Grades may not exceed 15% and turnarounds may be required at convenient locations as determined by the District. Roadway horizontal and vertical curves must accommodate District cleaning and camera vehicles.

Encroachments into the easement such as buildings, minor structures, large vegetation, etc., are prohibited as they interfere with the use of the easement.

The minimum width for easements, in feet, shall be per the following table:

Sewer Size Size	Depth of Sewer in Feet				
	0 to 15	15 to 20	20 to 25	25 to 30	Over 30
8 inch	15	15	20	25	30
10 inch	15	15	20	25	30
12 inch	15	15	20	25	30
15 inch	15	20	20	25	30
18 inch	20	20	20	25	30
21 inch	20	20	20	25	30
24 inch	20	20	25	25	30
27 inch	20	20	25	30	35
30 inch	20	20	25	30	35
33 inch	20	20	25	30	35
36 inch	20	20	25	30	35

3.15 **Horizontal Curves**

Horizontal curves shall not be used in sewer lines greater than 8" in diameter. When horizontal curves are used, they shall not exceed be per the pipeline manufacturer's recommendations but must be able to pass a mandrel. Horizontal curves shall be concentric with the street centerline where possible. Manholes are required at reverse or compound curves. Horizontal curve data to be shown on plan sheets includes radii, beginning and end of curve, and intersection angle.

3.16 **Vertical Curves**

The use of vertical curves on sewer lines is prohibited.

3.17 **Trunk Sewers and Collector Sewers**

Trunk and collector sewers shall be located according to the District approved plans and shall be designed pursuant to the District's most recent sewer master plan or sewer model study.

3.18 **Bedding and Backfill**

The owner or developer shall provide a copy of the geotechnical engineering report and test data for various parameters including sand equivalent (SE) of proposed embedment zone material. The embedment zone is defined as that area that extends from 4" to 6" below the pipe to 12" above the pipe. Pipe embedment zone material shall be sand, gravel, crushed aggregate, or native free draining granular material having a sand equivalent of not less than 30 or having

a permeability greater than 1 ½" per hour pursuant to test method ASTM D2434 or California Test 220, or other material approved by the District, and shall be placed on a competent subgrade foundation and shall be compacted to 85% minimum relative compaction. This material shall be placed on competent foundation and compacted in the trench before the pipe is placed. Upon laying and securing the pipe on the bedding, the bedding material shall be shoveled and walked into the haunching area simultaneously on both sides of the pipe to the pipe spring line in such a way to eliminate voids.

Trench backfill material extending from 12" above the pipe to ground surface or to a roadway structural section shall be as prescribed in a geotechnical report or encroachment permit requirements. The backfill shall be placed in horizontal layers of such thickness as are considered proper for the type of compaction equipment being used in relation to the backfill material being placed.

When not prescribed in a geotechnical report or encroachment permit, backfill material, whether native or imported, shall be free from shale, sod, roots, rubbish, trash, lumber, organic material, ashes and other debris, unusual color, contamination, and sulfide odor. Rocks, including pieces of broken concrete or bituminous pavement, originating from the native material shall have a maximum size of 6 inches and shall be dispersed within, or mixed with, the backfill material such that voids or pockets of large pieces ("nesting") are not created. Backfill material shall be compacted to a required minimum relative compaction of 90%. When pavement is to be placed directly on the backfill material, 95% relative compaction is required in the top 6". See District Standard Drawing Number 2.

Compaction tests are generally required in each lift and two tests are required in pipeline runs between manholes. Compaction test results and geotechnical test data from a certified testing laboratory shall be provided to the District prior to acceptance.

### 3.19 Wyes

All wyes shall be shown on the plans and labeled with the alignment stationing. See District Standard Drawing Number 3 for wye replacements or new installations.

### 3.20 Lateral Sewers

Pursuant to the *California Plumbing Code*, separate lots shall not be permitted to use the same lateral or building sewer, and every commercial building or industrial facility shall be separately connected to a public or private sewer.

All lateral sewers shall be constructed with a wye and eighth bend installed on the sewer main at an upward 45° angle per District Standard Drawing Number 4, at right angles to the sewer main, and extending straight toward to property to

be served unless shown otherwise on the approved plans. Long longitudinal lateral runs are prohibited. The lateral sewer shall be appropriately sized per the *California Plumbing Code*, however a 4" minimum diameter for residential and 6" minimum diameter for multiple residential and commercial development is required. The slope shall be a minimum of 2% to the property line. A cleanout shall be installed just behind the property line per District Standard Drawing Number 4. Cleanouts located in driveways or other paved areas shall be protected with a traffic worthy concrete cleanout box and cover labeled "sewer".

Existing unused sewer laterals may be used when connecting new buildings. The applicant may be required to test or inspect the lateral prior to connection.

Pursuant to Section 29-27.1(b) of the County Code, the owner shall be responsible for repair and maintenance of the lateral and building sewer from the building connection to the wye connection at the public sewer line. The District is not responsible for line breaks or damage to the owner's lateral or building sewer for any reason including but not limited to tree roots, utility work, earthquake, etc. Owner shall be responsible for construction of laterals and connection to the main sewer in the event that a lateral or wye connection is not present.

3.21 **Backwater Control Device**

Pursuant to District ordinance in County Code Section 29-27.1, a backwater valve shall be installed on all new sewer connections and sewer connection retrofits even when not required by the *California Plumbing Code*. When not required per *California Plumbing Code* criteria but related to a multi-storied building, the backwater valve shall be installed as for a single story building. The backwater valve is typically be installed at the junction of the building sewer and building drain, generally 18" from the foundation wall. The configuration of a typical backwater valve is shown on District Standard Drawing Number 5.

3.22 **Manhole Configuration**

The invert drop across a manhole or transition structure shall be a minimum of 0.1'. When the exit pipe size increases, the crown elevations of smaller diameter upstream pipe(s) shall match the crown elevation of the larger diameter downstream pipe. Manholes for sewer lines up to 15" shall have a 4' inside diameter shaft with concentric cones. Sewer lines 18" to 27" and greater shall have a 5' diameter shaft with eccentric cones. The configuration of a standard sewer manhole is shown on District Standard Drawing Number 6.

3.23 **Manhole Spacing and Location**

The maximum spacing between manholes shall be per the following table except in steep grades, which may require shorter distances:

Sewer Size	Maximum Spacing
24 inch and less	350 feet
27 inch and over	400 feet

Manholes shall be located in roadways where possible. Manholes shall be located at all grade changes, changes in horizontal alignment, point of reverse or compound curves, changes in pipe size, pipe termini and at sewer junctions. Cleanouts may not be used at the terminus of sewer lines in order to facilitate inspection and maintenance equipment.

3.24 **Pipe Angles at Manholes**

Pipes entering a manhole must do so at an angle of not less than 90° from the exiting sewer line.

3.25 **Manhole Frame and Covers**

Manhole frames and covers shall be South Bay Foundry SBF 1254-07, or approved equivalent, and shall be stamped "LCSD SEWER" or "LAGUNA SANITATION SEWER." Manholes not located in paved streets shall have an approved bolt down cover and shall have a concrete jacket per the District Standard Drawing Number 6. Covers for privately owned manholes shall be labeled "SEWER" or "SANITARY SEWER."

3.26 **Rim Elevations of Manholes**

In paved areas, the manhole rim elevation shall match the finished grade. In areas outside of the traveled way, the height of the manhole rim shall be 18" above the finished ground grade, high water mark, or above future fill. In maintained landscaped areas, the manhole rim shall be 6" above finished grade and protected from damage by methods subject to approval of the District. Manhole rims may be at grade in lawn areas but shall not be located in low areas. Manholes shall be placed as unobtrusively as possible in landscaped or highly visible areas, however vegetation shall not inhibit access.

3.27 **Manhole Lining**

Manholes exceeding 15' in depth in paved areas or of any depth in non-paved areas must be coated on the interior with an approved coating system.

3.28 **Drop Manholes**

Drop manholes shall not be used unless approved by the District.

3.29 **Wastewater Flow Generation**

Main line pipe capacities shall be designed per the following criteria:

**Flow:** The flow generation rates shown in the following tables were derived for anticipated development in and near the Laguna County Sanitation District

service areas. The flow generation rates shall be based on the appropriate duty factor shown below in the following table to determine the average flow rate:

Service Type	Duty Factor	Unit
Single family	220	gpd/connection
Multiple family	178	gpd/connection
Accessory Dwelling Unit	178	gpd/connection
General Commercial	1,500	gpd / acre
Professional	1,500	gpd / acre
Commercial - High Demand	6,011	gpd / acre
Parks and open space	27	gpd/acre
Office space	200	gallons/1,000 sf/ day
School staff / student	15	gpd per capita

Alternatively for commercial development, the flow generation can be determined by using the drainage fixture units if known.

The design flow rate shall be the peak flow rate, with a peaking factor appropriate to the development to be approved by the District.

The design flow rate for maximum pipe capacity shall be half full for pipes up to 8" in diameter and three-quarters full for pipes 10" in diameter and greater.

Velocity: The design velocity for full or half-full pipe depth design flow shall not be less than 2.0 feet/second. Maximum design velocity should not exceed 15 feet/second without the use of special pipe or manhole energy dissipation design but may be up to 20 feet/second in standard straight through manholes. At multiple inlet or manholes with directional changes, the maximum velocity should not exceed 8 feet/second.

Slope: Minimum slope values listed in the table below are based upon maintaining a self-cleaning velocity in the sewer.

Pipe Size	Minimum Slope
6 inch	0.49%
8 inch	0.34%
10 inch	0.25%
12 inch	0.20%
15 inch	0.15%
18 inch	0.12%
21 inch and greater	0.09%

Slopes of sewer lines shall be computed using the outlet flow line elevation of the upstream manhole and the inlet flow line elevation of the next downstream manhole.

Plans: The calculated flow (Q), velocity (v) and depth to diameter ratio (d/D) for the peak flow condition shall be labeled on the plans for each pipe.

3.30 **Sewer Capacity Study**

A sewer capacity study may be required of the developer or owner by the District in order to assess capacity impacts of the proposed project to the existing sewer system. The developer's or owner's engineer should consult with the District regarding wastewater flow generation. District staff will use this information in its flow model to assess impacts to pipeline capacities and determine if upgrades are required. Costs for system improvements, or prorated cost share thereof, are to be borne by the developer or owner.

Results of the model showing impacts to flow (Q), velocity (v), and the depth to diameter ratio (d/D) in the peak flow condition will be determined and compared to design parameters. In general, when these parameters exceed design values, pipe improvements are required. In cases where an area is considered built out, parameter values exceeding design values may be considered. The reduction in pipe size downstream is prohibited. When a larger pipe size is required, the larger sized pipe shall continue downstream until a pipe of equal or greater size is encountered.

3.31 **Lift Stations and Force Mains**

In some cases, lift stations and force mains may be required to meet the wastewater collection needs of a specific property or tract.

Lift stations and force mains will not be accepted if an option for providing sewer service by means of gravity flow exists. Factors such as access rights, construction requirements or costs shall not be the sole or sufficient reason for allowing lift stations and force mains. Any deviation from this requirement is subject to the prior approval of the District.

Any lift station and force main to be accepted by the District must include primary and secondary pumps, backup power generation, alarm systems, security fencing, appropriate force main air release/vacuum valves, and any other necessary features useful to the District.

A lift station must generally provide service to a large number of parcels. Said parcels must be included in a separate benefit assessment zone to be established pursuant to Section 4850 et seq. of the Health and Safety Code. A special benefit assessment to provide for the costs of replacement, operation and maintenance of



the lift station will be assessed the benefitting parcels in addition to the sewer charge. Developer shall pay the initial benefit assessment for the first year, or portion of the fiscal year remaining, prior to occupancy approval along with other applicable fees and charges.

3.32 **Private Lift Stations**

Privately owned, constructed, operated and maintained lift stations and force mains may be connected to the public sewer collection system provided that the private lift station system is subject to review and approval by the local building authority pursuant to the *California Plumbing Code*, the Environmental Health Services office of the Santa Barbara County Public Health Department, and the District. A body such as a homeowner's association may be required own a private lift station system and to provide the approving agency with a recorded maintenance agreement.

3.33 **Individual Private Lift Stations**

When a building is too low in elevation to allow gravity flow to a sewer main, an individual private lift station shall be employed. The lift station shall be subject to permitting by the local planning or building authority and must comply with the *California Plumbing Code*. Access to a public sewer main in a public road right of way is subject to the local road encroachment authority. The District will dictate how the connection to the sewer main is completed.

3.34 **Unused Facilities**

Sewer manholes, sewer main, sewer trunk, and sewer laterals that may be constructed for future use must be appropriately sealed, enclosed and capped to prevent debris from entering the system.

3.35 **Grease Control**

A fats, oils and grease control device is required for all food service establishments. Grease interceptors shall be sized in accordance with the *California Plumbing Code* with a minimum capacity of 500 gallons. Interceptors shall be identified on the plans as located outside the building on private property and shall be constructed per the District Standard Drawing Number 7. Hydromechanical grease interceptors (grease traps) may be authorized for smaller applications and shall be of the type and capacity conforming the *California Plumbing Code* with a minimum capacity of 20 gpm (40 pounds). Permitting and approval will typically be provided by the building authority with input provided by the District.

3.36 **Swimming Pools**

Swimming pool water and backwash water typically contains high concentrations of dissolved solids. Because the District is regulated by the Regional Water Quality Control Board as to the content of dissolved solids in its

effluent, the discharge of swimming pool water and backwash water shall be considered on a case by case basis. The discharge of swimming pool water and backwash water is regulated by Section 813.0 of the *California Plumbing Code* and Title 24 (Building Standards Codes) of the California Code of Regulations under Part 2 (California Building Code) Volume 2, Chapter 31B (Public Swimming Pools) Section 3142B (Wastewater Disposal) and is subject to approval by the local wastewater agency in addition to the County Environmental Health Services office of the Santa Barbara County Public Health Department. Issues to be considered are the times and duration of the discharge in order to accommodate the removal of dissolved solids at the treatment plant and the discharge flow rate to ensure the sewer collection system is not overtaxed. Note that nonpressurized sanitary sewer pipelines are designed to flow as open channels and are not designed to accommodate extreme peak flow rates without surcharging. Overflows of the sewer system caused by the pool operator shall be subject to fines and other penalties.

In addition, the discharge of dechlorinated swimming pool water to the public storm drain system is regulated by the appropriate agency managing the storm drain system under federal and state law (see Chapter 29, Article IV of the County Code for discharges in the unincorporated areas of the county).

### 3.37 Definitions

Unless the context requires otherwise, the definitions in this section shall govern the construction of these standards. Other definitions used by the District are included in the District's Ordinances, applicable sections of the "*California Plumbing Code*", as adopted, and the *Standard Specifications for Public Works Construction*, latest addition.

ANSI - American National Standards Institute.

Applicant - Any person, entity, or agent making application for District services. This may be the owner, developer, contractor or agent for any of these.

Approved - Accepted under an applicable specification or standard stated or cited in this document for the proposed use.

ASTM - American Society for Testing and Materials.

Backwater Valve - A device installed on the sewer drainage system generally located adjacent to the exterior foundation of a building to prevent reverse flow from entering. Also referred to as a backflow prevention device in the Santa Barbara County Code, section 29-27.1.

Building - A structure built, erected, and framed of component structural parts designed for the housing, shelter, enclosure, or support of persons, animals, or

property of any kind.

**Building Sewer** - That portion of the sewer drainage system that continues from the end of a building drain system and extends to the connection of a sewer main. This pipeline is privately owned and maintained by the land owner.

**Capacity Charge** - Also known as a connection charge. A one-time charge assessed new customers granted connection to the District's collection, treatment and discharge facilities in existence at the time as well as for new public facilities to be acquired or constructed in the future that are of proportional benefit to the person or property being charged pursuant to Government Code 66013(b)(3) and Health and Safety Code 5470.

**CO** - Cleanout (Sewer).

**Commercial** - A site or building used for nonresidential purposes, typically for the exchange or buying and/or selling of commodities and/or services.

**County** - The County of Santa Barbara, State of California, and the various agencies and departments thereof.

**District** - The Laguna County Sanitation District or its authorized representatives.

**District Engineer/District Manager** - The manager of the District.

**District Personnel** - Anyone engaged or employed to represent the District.

**District Board** - The Santa Barbara County Board of Supervisors acting as the ex officio District Board of Directors.

**Domestic Sewage** - Domestic sewage means the liquid and water-borne wastes derived from the ordinary living processes, free from industrial wastes, and of such character as to permit satisfactory disposal, without special treatment, into the public sewer or by means of a private sewage disposal system.

**Dwelling** - A structure for residential occupancy.

**Engineer** - An individual with a current and valid civil engineer's license issued by the State of California, under whose direction plans, profiles, and details are submitted to the District for review and approval.

**Fixture Unit** - A quantity in terms of which the load-producing effects on the plumbing system of different kinds of plumbing fixtures are expressed on some arbitrarily chosen scale.

**Grade** - Grade is the slope or fall of a line of pipe in reference to a horizontal plane. In drainage, it is usually expressed as the fall in a fraction of an inch (or mm) or percentage slope per foot (or meter) length of pipe.

**Grease Interceptor** - A plumbing appurtenance or appliance that is installed in a sanitary drainage system to intercept nonpetroleum fats, oils, and grease (FOG) from a wastewater discharge.

**Horizontal Pipe** - A pipe or fitting that is installed in a horizontal position or which makes an angle of 45° with the horizontal.

**Industrial** - A site, structure, building or works which is, or which is designed, to be used for the manufacture, processing, or distribution of materials, equipment, supplies, food or commodities of any description.

**Industrial Waste** - Any and all liquid or water-borne waste from industrial or commercial processes, except domestic sewage.

**Inspector** - The sewer inspector for the District duly authorized by the District and responsible for particular as delegated by the District.

**Institutional** - Any educational, assembly, hospital or penal facility.

**Interceptor (Clarifier)** - A device designed and installed so as to separate and retain deleterious, hazardous, or undesirable matter from normal wastes and permit normal sewage or liquid wastes to discharge into the disposal terminal by gravity.

**Lateral Sewer** - That portion of a Building Sewer that extends from the property line or right of way line to the connection of a sewer main. This segment of the Building Sewer is privately owned and maintained by the landowner.

**MH** - Manhole or maintenance hole.

**Pipe/Pipeline** - A cylindrical conduit or conductor, conforming to the particular diameter dimension commonly known as "pipe size".

**Plans** - The official plans, profiles and drawings, or re-productions thereof, approved by the District, which show the location, character, dimensions, and details of work to be done.

**Private Sewer** - A sewer line owned by private individuals who are responsible its repair and maintenance that eventually discharges to a public sewer system.

**Public Sewer** - A common sewer line directly controlled by a public authority.

**Sampling Manhole** - A standard or modified manhole approved by the District that serves to isolate the wastewater flow from a single commercial or industrial facility and provides access for sampling and/or monitoring purposes.

**Service Charge** - Also called a sewer charge. Cost for service to a customer for the collection and treatment of wastewater and for the discharge of the recycled water and residual waste. Typically billed on the tax roll.

**Service Connection** - All or any portion of the building and lateral sewer lines between a main sewer line and an individual building.

**Sewage** - Also called wastewater. Any liquid waste containing animal or vegetable matter in suspension or solution and may include liquids containing chemicals in solution.

**Sewer / Sewer Line** - Any conduit intended for the reception and transfer of sewage and fluid industrial waste.

**Sewer Main (Main Sewer)** - A sewer line which has been constructed to accommodate more than one building sewer and which has been approved and accepted by the District.

**Sewer Trunk (Trunk Sewer)** - A sewer line which collects wastewater from the sewer mains and conveys the wastewater to the treatment facility or larger collection systems, and considered to be 10" in diameter or greater.

**Single Family Residence** - A standard unit of development, also known as a Residential Unit Equivalent (RUE) or Equivalent Dwelling Unit (EDU) used for determining the relative level of development on a property. Multiple family residential, commercial and institutional development is converted to single-family residential family equivalents based on waste strength and flow generation.

**State** - The State of California.

**Storm Drain** - Any conduit and appurtenances intended for the reception and transfer of stormwater.

**Trunk Fee** - A one-time fee charged for the buy-in of an existing or proposed trunk sewer line.

**Vertical Pipe** - Any pipe or fitting which is installed in a vertical position or which makes an angle of not more than 45° with the vertical.

**Work** - All of the work of the project contemplated and called for or shown in the contract documents.

## SECTION 4 - PROCESSING AND DOCUMENTATION

The following is a list of development processes that may be required to approve a development project:

### 4.01 *Application for Sewer Service*

Any person legally entitled to apply for and receive sewer service authorization may submit a Sewer Service application to the District, which is included as Attachment B. The signature of the applicant on the Sewer Service application shall constitute an agreement to comply with all provisions, terms and requirements of these rules and regulations and the Laguna County Sanitation District and shall authorize right of entry for District personnel, representatives, consultants, contractors, successors and assigns.

Calculations, plans, specifications, cost estimates, and other required information shall be provided by a civil engineer licensed by the State of California, for review and approval for any proposed public sewer infrastructure.

### 4.02 *Availability and Can-and-Will Serve Letters*

An availability letter will typically be issued to an applicant in response to a project application. This correspondence states conditions, addresses submittal corrections, list fees, and identifies right of way issues.

The approval of the application is evidenced by the issuance of a Can-and-Will-Serve letter by the District, which must be able to indicate that all project conditions will be met, that all necessary rights of way have been addressed and that all financial arrangements will be satisfied. This letter will be issued upon payment of certain fees and charges, after public sewer improvement plans are signed and inspection copies of plans are provided, map and easement requirements are met, and any special agreements or permits are executed (FOG, industrial pretreatment, etc.). Other fees and charges are due prior to District sign-off for building department occupancy approval. Changes to approved public sewer improvement plans are prohibited without written authorization from the District's manager or other authorized District representative. This offer of service can expire upon expiration of the applicant's project with the planning agency.

### 4.03 *Boundary Reorganization and Sphere of Influence*

Annexation to the District is required in order to receive sewer service if the land is not already located within the District's service area boundary. In addition, the District's sphere of influence must be amended if the area is outside of its current sphere, which defines the boundary of the District's political interest. This process involves the Santa Barbara County Local Area Formation Commission and the California Board of Equalization. All fees for this process are to be borne by the applicant. Documents can be found at [www.sblafco.org](http://www.sblafco.org).

4.01 **Final Maps, Parcel Maps and Deeds**

The District must review and approve any final maps, parcel maps, deeds or any other mechanism for transferring real property rights to the District. Easements or other rights to be granted to the District must be specifically dedicated and accepted in a final map or parcel map as well as being called out on the layout sheets. Dedication by public utility easement (PUE) is not appropriate and therefore not acceptable.

4.04 **Fees and Charges**

Trunk line, plan check, inspection and testing fees shall be paid prior to map recordation. In the case when the development does not involve a subdivision of land, these fees are due prior to occupancy approval. Capacity charges, prorated sewer services charges and other fees and charges are due prior to occupancy approval.

4.05 **Sewer Service by User Category**

Sewer charges are collected on the tax roll and are based on the type of user (residential, multiple residential, commercial, industrial and institutional). Properties that operate businesses out of residential buildings shall be billed for sewer service as commercial establishments (based on water use). The District shall authorize the conversion of residential billing to commercial billing and may require separate water metering in order to develop sewer service charges.

4.06 **Multiple Sewer Connections**

Property zoned and sized to accommodate multiple family housing development such as a mobile home park, condominium, or apartment complexes that are on a single parcel will be billed for all the units on that parcel.

Conversions of floor space within an existing residential unit or conversion of an existing accessory detached structure to an Accessory Dwelling Unit (ADU), as defined in Government Code section 65852.2, are exempt from capacity charges but are subject to the assessment of sewer service (commodity ) charges. ADUs constructed with new exterior walls will be considered as new habitable housing units and subject to capacity charges.

4.07 **Illegal Connections**

Illegal connections shall be assessed all applicable fees as well as sewer service charges from the date of original building permit, date of construction if the building permit date is not known, or to ownership date of current owner. Certain fees may be waived if the current owner did not construct the illegal structure. The planning or building agency having jurisdiction will be informed. In certain cases, the illegal connection may be required to be removed and the structure returned to its original permitted function.



4.08 **Improvement Plans**

The applicant shall be responsible for providing improvement plans showing the layout and design of all proposed sewer improvements. Plans and specifications shall be prepared by a civil engineer licensed by the State of California for review and acceptance by the District.

The title sheet must show a key map referencing plan sheets, sewer and access road easement boundaries, building structures, proposed sewer mains, a project vicinity map, general sewer notes, construction notes, plan set index, elevation datum, and all benchmarks.

Plan sheets must show all pipeline layout, stationing, horizontal curve data, lateral, pertinent topographic data, rights of way, easements (label out recorded instruments when not located within a public road right of way), pipe length and slopes, manhole inlet and outlet flow line elevations, manhole rim elevations, and existing and proposed features. All existing piping and underground structures shall be shown in plan and profile. Construction notes shall call out specific work, equipment and materials. Sheets showing improvements to be dedicated to the District must provide an approval signature and date block.

The plans shall delineate the size and ownership of all existing and future underground works that cross or parallel the sewer. Any line which crosses the sewer, especially gas, TV or fiber optic cable, storm drains, telephone, water, electrical, gasoline and oil lines, shall be shown and labeled on the plan and profile.

The profile grid must be located on the upper half of the sheet. The scale used for plan and profile drawings shall be appropriate for the drawings such as:

- 1" = 10' Horizontal and 1" = 1' Vertical
- 1" = 20' Horizontal and 1" = 2' Vertical
- 1" = 30' Horizontal and 1" = 3' Vertical
- 1" = 40' Horizontal and 1" = 4' Vertical
- 1" = 50' Horizontal and 1" = 5' Vertical
- 1" = 60' Horizontal and 1" = 6' Vertical

The detail sheets are for special details of structural and piping designs and may include District standard drawings. The use of standard drawings or details by other agencies is acceptable provided it is labeled to be approved by the District.

Final approved plans for signature shall be matt film (mylar) with black text.

Standard sheet size shall have a vertical dimension of 24" and a horizontal dimension of 36" to the outside edges.

All plans shall be drawn with the intent of having them reduced by one half such that text and objects will be legible at the reduced scale.

Datum requirements shall be the 1983 North American Datum (NAD) for horizontal control and the 1988 North American Vertical Datum (NAVD) for vertical control as established by the National Geodetic Survey. Datum and benchmark information is to appear on the title sheet. Local benchmark information should appear on the plan sheet where the benchmark can be readily identified.

4.09 **Site, Plumbing, Landscaping and Grading Plans**

Review of other plans may be required in order for the District to ascertain the impacts of other proposed improvements.

4.10 **Road Encroachment Permits**

A permit to excavate in public roadways must be obtained from the appropriate authority prior to construction.

4.11 **Other Permits**

Compliance with any other applicable regulations and permits such as CalOSHA Construction Safety Orders for Excavations, Confined Spaces, etc., environmental regulations, and storm water control is required. A new sewer system not yet in service but connected to the existing live sewer system is considered as subject to inundation by gas and liquid unless properly capped or plugged. Access into an existing manhole is considered live and the contractor is required to follow the District's Confined Space Entry Program.

4.12 **Specialized Work**

Special work such as sewage bypasses requires written work plans and approval by the District. Costs for any needed backup support by District personnel and equipment shall be borne by the applicant's contractor.

4.13 **Developer Agreements**

In some cases the District may require agreements with the owner and/or developer to address offsite improvements related to trunk lines, lift stations, pipeline upsizing, etc. Any cost incurred by the District shall be borne by the developer.

4.14 **Reimbursement for Over Sizing Sewer Trunk Lines**

The District may consider a reimbursement agreement with a developer when a trunk sewer (10" or greater) is conditioned for a project that is intended to serve other existing and anticipated future development. The agreement shall reimburse the developer for the costs beyond those to serve the developer's development based on a prorated residential unit equivalent basis pursuant to

Section 4742.3 of the Health and Safety Code. The construction of sewer mains (6" and 8") regardless of capacity and future connections, shall be considered as property of the District and shall not be subject to reimbursement.

4.15 *Construction of Sewer Improvements*

The applicant may begin the construction of public sewer improvements upon providing a copy of the fully executed public sewer improvement plans giving at least 48 hours advance notice. Preconstruction meetings with the applicant's contractor on larger projects is advised.

4.16 *Sewer System Installation Inspection*

All work relative to sewer system installation shall be subject to inspection by the District's representative and passing any prescribed testing. Upon the exhibition of proper credentials and identification, the appropriate District representative or inspector shall be permitted to enter into residential, commercial, institutional and industrial facilities for the purposes of inspection, observation, measurement, sampling, testing or other duties necessary to enforce or ensure compliance with the provisions of District codes, ordinances and standards.

Visual inspections of all pipes and structures is required prior to covering with backfill cover.

It shall be the duty of the person performing the work to notify the District that said work is ready for inspection or testing. Such notification shall be given not less than 48 hours before the work is to be inspected or tested. Any construction done without prior notification to the District can be rejected, and any rework will be done at the contractor's expense.

4.17 *Onsite Inspections*

Onsite inspections regarding required devices or prohibitions may also be performed on development improvements and structures prior to occupancy approval. These inspections are to ensure that certain devices have been installed including but not limited to backwater valves, property line cleanouts, grease interceptors or traps, and commercial domestic water service submeters; and to ensure that certain devices are not installed including but not limited to salt load water softeners.

4.18 *Testing*

Pipeline air pressure testing shall be proceeded with a system flush with a hydrojetter and tested for roundness with an appropriately sized mandrel and pressure tested. The air pressure test shall be in accordance with section 306-7.8.2.4 of the *Standard Specifications for Public Works Construction* once the trench has been backfilled and compacted but before paving. The air test must be properly prepared and all plugs must be installed and braced in such a way as to prevent blowouts. Pressurizing equipment should include a regulator set at

approximately 5 psig to avoid over pressurizing and damaging a pipeline. No shall be allowed in the manholes during testing.

Soil compaction requirements are detailed in the Design Criteria section of the District's Engineering Design Standards. Costs for performing testing shall be borne by the owner or owner's agent or contractor.

The equipment, material and labor necessary for inspection or tests shall be furnished by the owner, owner's agent or contractor.

4.19 **CCTV Video Inspection**

A closed caption television (CCTV) inspection shall be made of the newly constructed and installed sewer facilities at owner's or contractor's expense is required to ensure compliance with the District's standards with regard to pipeline integrity and alignment. Deficiencies in the pipeline must be corrected and poor video or inconclusive data will require re-video inspection.

4.20 **Protection of Existing Buildings During Construction**

The contractor shall consider the proximity of a trench excavation in relation to existing buildings or other surcharges and shall comply with safety orders and permit conditions when performing the work.

4.21 **Protection of Existing Sewer System During Construction**

The contractor shall consider the proximity of the existing sewer system when performing the work. Manhole channels shall be protected with false bottoms until all grading and roadwork is complete. Sand traps shall be installed upstream of the existing sewer system to prevent debris from entering until work is complete. Debris, including construction related material, shall not be stored inside installed manholes, to prevent debris from lodging inside pipes. Manhole rims shall be raised and sealed to protect against inflow from stormwater.

4.22 **Time Limits**

A suspension of work may not exceed 14 days unless owner implements measures to protect newly installed facilities. Phased or partially completed work must have passed inspection and testing and be in an allowable state for use and access. Improvements to be placed into service at a later date must have passed inspection and testing and be appropriately closed and protected from stormwater, debris, public access and any other hazards.

4.23 **Changes in Work**

Changes, deviations, additions or deletions of items of work from the approved plans, specifications or submittals must be approved by the District's manager.

4.24 **Record Drawings**

Drawings showing any changes to the planned location of all mains, structures,

wyes, lateral, manholes, easements, etc., shall be filed with the District before final acceptance of the work by the applicant's contractor. In addition, an electronic drawing compatible with AutoCAD format showing the actual location of mains, wyes, laterals, manholes, cleanouts and appurtenant structures, and including elevations for inverts and rims thereof, shall be submitted to the District before final acceptance of the work.

Non-residential development such as food service establishments or certain industrial facilities will require the issuance of a District Industrial Wastewater Discharge Permit to control and monitor industrial wastes or wastes from food services establishments (fats, oils, and grease), or other regulated wastes.

4.25 **Construction Acceptance**

Before the acceptance of any sewer line or facility by the District, and prior to the introduction of any sewage into the system, sewer lines shall have been completed, tested, and video inspected to assure full compliance with all requirements of the District's *Standard Specifications for the Construction of Sanitary Sewers* and any other facilities must pass startup testing and procedures.

If the sewer system is deemed satisfactory, the District shall issue a notice of satisfactory completion and acceptance at inspection sign-off of the constructed facilities when all work, including changes and revisions have been completed. Copies of such notice will be distributed to the contractor and the developer and to the agency with road encroachment authority for public roadways.

4.26 **Project Cost Information**

Project construction cost information for new public sewer improvements must be submitted by the applicant's engineer for the purpose of estimating the District's capitalization and depreciation on these infrastructure components. Labor costs must be based on prevailing wage rates.

## SECTION 5 - CONSTRUCTION NOTES

### 5.01 Public Improvement Plan Notes

The following plan notes are based on standards and specifications that have been adopted by the District and shall be shown on the public sewer improvement plans, subject to any amendments required by the District:

1. The construction of public sewer system improvements shall comply with Laguna County Sanitation District standards and specifications and shall be subject to testing and inspection. An acceptance letter will be provided upon final acceptance of the work.
2. Geotechnical reports, sand equivalent (SE) test data, and any other bedding and backfill information shall be provided to the District prior to the start of construction.
3. The developer, developer's agents, contractors, vendors, etc., shall abide by all applicable safety orders such as those described in Section 7-10.4.2 Safety Orders of the *Standard Specifications for Public Works Construction*, latest edition. Copies of any shoring plans, confined space entry permits, or excavation permits shall be submitted to the District prior to the start of construction.
4. Commencement of construction of public sewer system improvements shall not be authorized until the public sewer improvement plans have been signed by the District manager or authorized agent and material submittals have been approved. A signed field set shall be available onsite.
5. Approval of the public improvement plans by the District does not constitute a representation as to the accuracy of the location of, or the existence of, any underground utility pipe or structure within the limits of this project. The contractor shall verify the location of all existing underground utilities such as water, sewer, storm drain, gas, etc., prior to commencing construction.
6. The District shall be notified at least 48 hours prior to starting construction. Any construction done without approved plans or without prior notification will be subject to rejection and rework at the contractor's expense.
7. No revision to the sewer system shall be made to these plans without District approval.
8. The District shall not survey or layout any portion of the work. District reserves the right to require field notes generated by developer's surveyor and to field check work in progress.
9. Pipeline deflection on horizontal curves shall not exceed the manufacture's

recommendations.

10. All lateral sewers shall be constructed with a wye installed on the sewer main at an upward 45° angle, at right angles to the sewer main, and extending straight toward to property to be served unless shown otherwise on the approved plans. The building sewer shall be appropriately sized per the *California Plumbing Code*, however the lateral sewer portion of the building sewer shall be 4" minimum for residential and 6" minimum for multiple residential and commercial development and shall be installed with a minimum grade of 2% to the property line. The depth of the lateral sewer at the property line shall be ≥ 4'. A cleanout shall be installed immediately behind the property line for the property owner's use.
11. Solvent joints are not acceptable on sewer main and sewer lateral installations.
12. Inspection of trench alignment, preparation of bedding, placement of pipe and embedment zone backfill, placement of manhole, and installation of frames and covers is required. Submittals of soil compaction testing, air testing, flushing, mandrel pull, and closed circuit television (CCTV) inspection are required. Approval of all inspection and testing is required prior to acceptance.
13. Sewer lines shall be air pressure tested in accordance with section 306-7.8.2.4 of the *Standard Specifications for Public Works Construction*, latest edition, once the trench has been backfilled and compacted but before paving.
14. Separation and clearance between sewer lines and water lines shall be per the California Department of Public Health's *Criteria for the Separation of Water Mains and Sanitary Sewers*. Separation and clearance between sewer lines and all other underground utilities shall be a minimum of 6" unless otherwise specified by the other utility. Water line thrust blocks shall not be located on top of sewer pipes.
15. Manhole frames and covers shall be South Bay Foundry SBF 1254-07, or approved equivalent, and shall be stamped "LCSD SEWER" or "LAGUNA SANITATION SEWER." Manholes not located in paved streets shall have an approved bolt down cover and shall have a concrete jacket per the District Standard Drawing Number 3. Covers for privately owned manholes shall be labeled "SEWER" or "SANITARY SEWER."
16. 4' diameter manholes shall use concentric cones. Manhole interiors shall be coated per manufacturer's recommendations with an approved coating product consistent with the sanitary sewer environment when manhole depths exceed fifteen feet (15'), for drop manholes, and on manholes not located in paved areas.
17. Manhole covers shall extend 18" above finished grade in unimproved rights of way and 6" above grade in landscaped areas and shall be protected from damage

with bollards when determined necessary.

18. Manhole channels shall be protected with false bottoms until all grading and roadwork is complete.
19. Record drawings showing the actual location of all sewer mains, structures, wyes, laterals, manholes, cleanouts, easements, etc., shall be submitted to the District before final acceptance of the work.

5.02 *Standard Drawings*

Standard drawings applicable to the work shall be included in the public improvement plans. Special details as may be required must also be included on the plans.



## SECTION 6 - RULES AND REGULATIONS

### 6.01 Governmental Structure

The Laguna County Sanitation District is a county sanitation district formed pursuant to Health and Safety Code Section 4700 et seq. It is a dependent district to the County of Santa Barbara such that the Board of Supervisors acts as its ex-officio Board of Directors. The District's local rules and regulations are located primarily in Chapters 29 Articles I and III of the Santa Barbara County Code and may be amended. Chapter 24A of the Santa Barbara County Code contains enforcement provisions for violations to Chapter 29 Articles I and III. Establishment of standards for facilities connecting to the sewerage system of the District may be prescribed pursuant to Health and Safety Code Section 4762.1. Requirements of outside regulatory agencies may apply, replace or amend criteria set forth in these rules and regulations.

### SANTA BARBARA COUNTY CODE, CHAPTER 29, ARTICLE I. IN GENERAL

**§ 29-1. "Sanitary sewer system" defined.** Sanitary sewer system, as used in this article, includes the treatment plant, trunk lines, collectors, laterals, pumps, pumping stations and other lines and facilities of sanitary districts, sanitation districts and any other community sewer system rendering sewer service to the public, whether publicly owned or privately owned.

**§ 29-2. Discharge of surface water, etc., into sanitary system.** No person shall discharge surface waters, storm waters, stream waters or any other runoff of water or any other substance from the surface of the land into any sanitary sewer system or into any pipe, conduit or fixture leading into a sanitary sewer system, without first obtaining consent from the owner or manager of the sewer system.

**§ 29-3. Flushing new sewer lines into sanitary system.** No person whether as agent or principal, in the course of constructing or testing or cleaning out any new sewer lines, shall ball or flush the new sewer lines into a sanitary sewer system without first obtaining the express consent of the manager or owner of the sanitary sewer system.

**§ 29-4. Removing manhole covers; throwing rubbish, etc., into sanitary system.** No person shall remove any manhole cover or covers from any manhole of a sanitary sewer system, except in an emergency, without first having obtained the consent of the manager or owner of the sanitary sewer system; and no person shall throw, place or discharge, or cause to be thrown, placed or discharged, any rubbish or refuse or sewage or any other matter into a manhole or other facility or line of any sanitary sewer system, except with the express authorization of the manager or other authorized officer.

**§ 29-5. Tampering, etc., with sanitary system; unlawful connection.** No person shall tamper with, damage, cut into, perforate, or make or maintain any connection whatsoever to any sanitary sewer system or any portion thereof, or any pipeline of the sanitary sewer system without having previously obtained the consent of the manager or other authorized officer of the district or other owner or operator of the sanitary sewer system and having paid any applicable connection fees or other charges. Any unauthorized connection to a sanitary sewer system shall constitute a continuing offense so long as such connection exists.

SANTA BARBARA COUNTY CODE, CHAPTER 29, ARTICLE II. NOT APPLICABLE TO SEWER SYSTEMS

SANTA BARBARA COUNTY CODE, CHAPTER 29, ARTICLE III. DISCHARGE INTO LAGUNA COUNTY SANITATION DISTRICT TREATMENT SYSTEM

**§ 29-21. Purpose of article.** The purpose of this article is to prevent waste discharge from adversely affecting the district's sewer system, the operation of the district's treatment facilities or the quality of the effluent from the district's treatment plant, through regulations and control of the quality of wastes received by the district's sewer system.

**§ 29-22. Authority.** This article is adopted pursuant to provisions of section 4700 et seq. of the state Health and Safety Code.

**§ 29-23. Administration and implementation of article.** The manager of the Laguna County Sanitation District shall administer and implement the provisions of this article. Any powers granted to or duties imposed upon the manager may be delegated by him to persons acting in the beneficial interest of or in the employ of the district. The manager may issue such rules and regulations as are necessary for the proper and ordinary administration of this article.

**§ 29-24. Penalties for violation.**

- (a) Pursuant to Section 4766 of the Health and Safety Code, a violation of a regulation or ordinance of the district shall be a misdemeanor, punishable by fine not to exceed one thousand dollars, imprisonment not to exceed 30 days, or both. Each day of violation shall be a separate offense.
- (b) Any person responsible for violating any provision of this or any other ordinance of the district shall be held strictly responsible for any and all acts of agents or employees done under the provision of this or any other ordinance, rule, or regulations of the district.
- (c) Pursuant to Section 54739 of the Government Code, any violation of any

industrial waste discharge or pretreatment requirement related to the district's collection system and treatment works may be subject to the imposition of civil liabilities pursuant to Section 54740 of the Government Code or administrative complaints and penalties pursuant to Section 54740.5 of the Government Code, including but is not limited to violating the following standards and requirements, as may be amended, superseded, or replaced from time to time: the discharge limits and appropriate protective facilities requirements for fats, oils, and grease in food service establishments pursuant to the district's Ordinance No. 4867 (adopted Sept. 17, 2013) and/or as set forth in this Chapter; all other prohibited discharges or pretreatment requirements identified in this Chapter; the State Water Resource Control Board's Statewide General Waste Discharge Requirements for Sanitary Sewer Systems, Order No. 2006-0003 and district's associated Sewer System Management Plan; the Central Coast Region Regional Water Quality Control Board's Waste Discharge Requirements and Master Recycling Permit for the district, Order No. R3-2011-0217; and any other relevant or related discharge or pretreatment requirements set forth in federal, state, or local rules, regulations, or laws.

The district may issue an administrative complaint and impose civil penalties, as follows:

- 1) An administrative complaint will be served on the person subject to the discharge or pretreatment requirement either personally or by certified mail.
- 2) The administrative complaint will identify the following: (1) the act or failure to act that constitutes a violation of the local agency's requirements; (2) the provisions of law authorizing civil liability to be imposed; (3) the proposed civil penalty; (4) that a hearing will be conducted within 60 days of serving the complaint; and (5) that a right to a hearing may be waived.
- 3) Unless waived, a hearing will be conducted before the manager, serving as the hearing officer for the district, within 60 days of serving the complaint on the person. The person may appeal the manager's decision to the district's Board within 30 days of the notice of the manager's decision.
- 4) At the hearing (or appeal), the manager (or Board) may assess a civil penalty against the person based on all relevant circumstances including the following:
  - i. The economic benefit derived through non-compliance;
  - ii. The nature and persistence of the violation;
  - iii. The length of time over which the violation occurred; and

- iv. Corrective action taken or attempted by the person
- 5) Civil penalties may be imposed by the district, as follows:
- i. Not to exceed two thousand dollars for each day for failing or refusing to furnish technical or monitoring reports.
  - ii. Not to exceed three thousand dollars for each day for failing or refusing to timely comply with any compliance schedule established by the district.
  - iii. Not to exceed five thousand dollars per violation for each day for discharges in violation of any waste discharge limitation, permit condition, or requirement issued, reissued, or adopted by the district.
  - iv. Not to exceed ten dollars per gallon for discharges in violation of any suspension, cease and desist order or other orders, or prohibition issued, reissued, or adopted by the district.
  - v. The amount of any civil penalties imposed under this subsection which have remained delinquent for a period of 60 days shall constitute a lien against the real property of the discharger from which the discharge originated resulting in the imposition of the civil penalty. The lien provided herein shall have no force and effect until recorded with the county recorder and when recorded shall have the force and effect and priority of a judgment lien and continue for 10 years from the time of recording unless sooner released, and shall be renewable in accordance with the provisions of Sections 683.110 to 683.220, inclusive, of the Code of Civil Procedure.
  - vi. Monies collected will be placed in a special account for monitoring, treatment, and control of discharges or other mitigation measures.
- 6) Unless appealed, an order setting administrative civil penalties will be effective and final upon issuance, and payment shall be made within 30 days thereof. Copies will be served by personal service or by registered mail upon the party served with the administrative complaint and upon other persons who appeared at the hearing and requested a copy.
- 7) The district may petition the superior court to confirm any order establishing civil penalties, and an aggrieved party may obtain review in superior court pursuant to Government Code Section 54740.6.
- (d) Pursuant to Section 53069.4 of the Government Code, any violation of any ordinance enacted by the district may be subject to an administrative fine or penalty. Any person found to be violating any provision of this or any other ordinance, rule or regulation of the district is subject to the

procedures provided for in Chapter 24A of the Santa Barbara County Code, as may be amended from time to time. Pursuant to Section 4766 of the Health and Safety Code, any violation of a regulation or ordinance of the district is a misdemeanor and may be subject to a fine up to one thousand dollars, imprisonment not exceeding 30 days, or both.

- (e) Continued habitation of any building or continued operation of any facility in violation of the provisions of this Chapter or any other ordinance, rule or regulation of the district is hereby declared to be a public nuisance. The district may cause proceedings to be brought for injunctive relief and/or for the abatement of the occupancy of the building or facility during the period of such violation. In such event there is to be paid to the district reasonable attorney's fees and costs of suit arising in said action in an amount to be set by the court.
- (f) When necessary to correct an existing or imminent threat to public safety, the environment, or the district sewer facilities, including sewer blockages and sanitary sewer overflows, the district may enter upon the property and summarily abate, restore, and take those actions necessary to prevent further harm from the threat, including severing pertinent connections to the district sewer facilities, at the responsible party's expense.
- (g) Any person violating any of the provisions of the ordinances, rules or regulations of the district shall become liable to the district for any expense, loss or damage occasioned by the district by reason of such violation, including but not limited to all costs to clean and repair facilities and any liability in civil proceedings to the district for any expense, loss or damage to the district's sewer system, treatment facilities, or treatment process and for any fines imposed on the district under section 13350 of the California Water Code or pursuant to section 5650 of the California Fish and Game Code, as the result of a discharge in violation of this article.
- (h) In addition to the enforcement and collection provisions in Chapter 24A, any moneys owed to the district pursuant to this section that are not paid in the time and manner prescribed by the district may be collected as delinquent charges. Pursuant to Section 5473.10 of the Health & Safety Code, the district may impose a 10% basic penalty and a 1 and one-half percent per month penalty for nonpayment of said charges. If the amounts remain delinquent and unpaid for 60 days, the district may secure such delinquent charges by filing a certificate of lien in the office of the county recorder pursuant to Section 5473.11 of the Health & Safety Code or Section 54740.5(d)(5) of the Government Code, as applicable, and/or the district may elect to have said charges collected on the tax roll pursuant to Section 5473 et seq. of the Health & Safety Code.

- (i) The district's manager may revoke or suspend any permit and/or sewer or water service when it is determined that the customer:
- 1) Knowingly provides a false statement, representation, record, report, or other document to the District.
  - 2) Refuses to provide records, reports, plans, or other documents required by the District.
  - 3) Falsifies, tampers with, or knowingly renders inaccurate any monitoring device or sample collection method.
  - 4) Fails to comply with the terms and conditions of permit suspension.
  - 5) Discharges effluent to the District's sewer system while its permit is suspended.
  - 6) Refuses reasonable access to the permittee's premises for the purpose of inspection and monitoring.
  - 7) Does not make timely payment of all amounts owed to the District for user charges, permit fees, or any other fees imposed pursuant to this Ordinance.
  - 8) Causes interference, sewer blockages, or sewer system overflows with the District collection, treatment, or disposal system.
  - 9) Violates grease interceptor installation or maintenance requirements, any condition or limit of its discharge permit, or any other provision of the District's fats, oils and grease requirements.

**§ 29-25. Definitions.** For the purposes of this article, the following words and phrases shall have the meanings respectively ascribed to them by this section:

**Backflow Prevention Device.** A backwater valve or other device approved for use by the Uniform Plumbing Code used to prevent reverse flow.

**Brine Waste.** A concentrated solution of dissolved solids which may be produced as a result of regeneration of a water softener exchange bed that has been used to soften water.

**Discharge.** To place or cause to be placed in the district's sewer system.

**District.** Laguna County Sanitation District.

**District's Sewer System.** All district's facilities required for the conveyance of wastes to the district's treatment facility.

**District Treatment Facilities.** Any works, equipment or structure utilized by the district in the physical, chemical or biological treatment of waste prior to final disposal.

**Fats, Oils, and Grease.** Any substance such as vegetable or animal product used in or is a byproduct of cooking or food preparation that may turn viscous or may solidify with a change in temperature.

**Food Service Establishment.** An establishment that prepares and serves foodstuffs by frying, baking, grilling, sautéing, rotisserie cooking, broiling, boiling, blanching, roasting, toasting, poaching. Also included are heating, searing, barbecuing, and other food preparation activity that produces a hot, non-drinkable food product in or on a receptacle that requires washing.

**Manager.** Manager of the Laguna County Sanitation District or his duly authorized representative.

**Pretreatment Facility.** Any works, equipment or structure employed by the user for the physical, chemical or biological treatment or flow limitation of waste prior to its discharge into the district's sewer system.

**Properly Shredded Garbage.** Solid waste derived from domestic, commercial or industrial preparation, cooking and dispensing of food which has been shredded to such a degree that all particles will be carried freely under the flow conditions normally prevailing in the district's sewer system.

**Protective Facilities.** Any works, equipment or structure required to insure that industrial waste does not have a deleterious effect on the receiving waters, the district's sewer system or treatment facilities (1) including physical, chemical and biological treatment prior to discharge to the district's sewer system, (2) storage to contain accidental spillage or eliminate sludge flows, and (3) all other facilities for the proper management of industrial wastes.

**Receiving Waters.** Those waters (including groundwater) to which effluent or its constituents, in total or in part, are ultimately returned after having passed through the district's sewer system and treatment facility.

**Recycled Water.** Water which, as a result of treatment of waste, is suitable for direct beneficial use or a controlled use that would not otherwise occur and is therefore considered a valuable resource.

**Strong Concentrations.** Any material not specifically mentioned in this article which is of sufficient concentration to result in deleterious effects on the district's sewer system or the receiving waters.

**Unusual Strength or Character Waste.** Waste treatable by the district using processes designed for domestic waste but exhibiting higher concentrations of specific constituents such as chemical oxygen demands, biochemical oxygen demand and suspended solids.

**User.** Any person that discharges, causes or permits the discharge of waste into the district's sewer system.

**Waste.** Any material discharged into the district's sewer system.

**Waste, Domestic.** The water derived from the ordinary living processes, free from industrial waste and of such character as to permit satisfactory discharge without special treatment into the district's sewer system.

**Waste Constituents and Characteristics.** The individual chemical, physical, bacteriological and radiological parameters, including volume and flow rate and such other parameters, that serve to define, classify or measure the contents, quality, quantity and strength of waste.

**Waste, Industrial.** Any waste, as distinct from domestic waste, including but not limited to liquid, solid, gaseous and radioactive material resulting from any producing, manufacturing, processing of either a commercial or industrial operation of whatever nature, discharged in the district's sewer system.

**Water-Softening System or Device.** Any apparatus which removes compounds of calcium and magnesium from the water supply.

§ 29-26. **Prohibited wastes.** It shall be unlawful for any person to

knowingly discharge any of the following described wastes into the sewer system of the district:

- (a) Any waste having a temperature higher than one hundred forty degrees Fahrenheit.
- (b) Any waste which may contain more than one hundred milligrams per liter of fat, oil or grease.
- (c) Mineral oils, greases or other products of petroleum origin.
- (d) Any flammable or explosive waste.
- (e) Any garbage which has not been properly shredded.
- (f) Any ashes, cinders, sand, mud, straw, and shavings, metal, glass, rags, feathers, tar, plastics, wood, paunch manure, viscera or other solid or viscous substances capable of causing obstruction to the flow or undue maintenance of the district's sewer system or other interference with the proper operation of the district's treatment facility.
- (g) Any waste having pH lower than 6.0 or higher than 9.0 or waste having any other corrosive properties capable of causing damage or injury to the district's sewer system or treatment facilities or district personnel.
- (h) Any waste containing algaecides, fungicides, antibiotics, insecticides, strong concentrations of oxidizing agents or strong concentrations of reducing agents.
- (i) Any noxious or malodorous gas or substance capable of creating a public nuisance either by itself or by interaction with other substances.
- (j) Any domestic or other wastes obtained from a septic tank or chemical toilet.
- (k) Any storm water, surface water, groundwater, roof runoff, subsurface drainage or uncontaminated process water.
- (l) Any waste which exhibits or causes discoloration differing from that of domestic usage.
- (m) Any waste containing in excess of any of the following:
  - 0.2 mg/l arsenic,
  - 0.2 mg/l cadmium,
  - 0.5 mg/l copper,
  - 1.0 mg/l cyanide,
  - 1.0 mg/l lead,
  - 0.01 mg/l mercury,
  - 1.0 mg/l nickel,
  - 0.2 mg/l silver,
  - 0.5 mg/l total chromium, or
  - 2.0 mg/l zinc.
- (n) Any waste containing substances which are not amenable to treatment or which cause the treatment plant effluent to fail to meet the discharge requirements established by the California State Water Resources Control Board, the California Regional Water Quality Control Board or any other state or regulatory agency.
- (o) Any brine waste resulting from the regeneration of any water



softening system or device installed in any discretionary development project approved on or after January 1, 2012. The district may provide for such conditions, protections and improvements necessary to assure the exclusion of these wastes.

**§ 29-26.1. Water-softening systems or devices.**

- (a) It shall be unlawful for anyone to install any water softening system or device which discharges brine waste into the district's sewer system, to the ground or to a storm drain in any structure with occupancy approved on or after January 1, 2012.
- (b) Anyone operating a water-treating apparatus of any kind, including any water-softening system or device, shall make such apparatus accessible to the manager for inspections upon reasonable notice, and shall provide such information, as the manager may require, relative to the apparatus and its operation and maintenance.

**§ 29-27. Interceptors; Fats, Oil and Grease Control.** Grease, oil and sand interceptors shall be provided by any user when, in the opinion of the district, it is necessary for the proper handling of liquid wastes containing grease in excessive amounts or any flammable wastes, sand or other waste harmful to the district's sewer system or treatment facilities. All interceptors shall be of a type and capacity approved by the district and shall be so located as to be readily and easily accessible for cleaning and inspection.

Grease and oil interceptors shall be constructed of impervious materials capable of withstanding abrupt and extreme changes in temperature and shall be of substantial construction and equipped with easily removable covers, which, when bolted in place, shall be gas-tight and water-tight. When installed, all grease, oil and sand interceptors shall be maintained by and at user's expense, in continuously efficient operation.

All food service establishments shall install, operate and maintain appropriately designed interceptors to control fats, oils and grease. Multiple food service establishments may be served by a single interceptor when located on a single parcel of land. The operation of fats, oils and grease control devices by food service establishments shall include industry best management practices such as:

- (a) Removal of accumulated material when the material depth exceeds 25% of the design hydraulic depth, but not less frequently than every 6 months. Collection of accumulated material shall be by appropriately licensed waste haulers and disposal shall be pursuant to federal, state and local laws.
- (b) Use of drain screens.
- (c) Dry wiping to remove and disposal of food waste to trash receptacles.
- (d) Collection of waste cooking oil.
- (e) Maintenance of exhaust filters.

- (f) Employee training.
- (g) Kitchen signage.
- (h) Record keeping.

The following prohibitions shall apply to all food services establishments:

- (a) The installation of food grinders in new construction and the use of food grinders in existing construction after 180 days of the effective date of this ordinance unless authorized by the district manager.
- (b) The introduction of additives for the purpose of emulsifying or biologically or chemically treating fats, oils and grease for remediation or as a supplement to interceptor maintenance.
- (c) The disposal of waste cooking oil into a sewer drainage system.
- (d) The discharge of wastewater from dishwashers to any trap or interceptor.
- (e) The discharge of any waste removed or unauthorized bypass from the trap or interceptor to the sewer system.

**§ 29-27.1. Sewer laterals and backflow prevention devices.**

- (a) Connection to Sewer Main. The sewer lateral from the building structure to the sewer main must be constructed in accordance with the California Plumbing Code. Where the sewer lateral joins or connects to the sewer main, the connection shall be made with the use of a wye fitting. New sewer lateral connections to an existing sewer main may be made with the use of alternate wye connections.
- (b) Owner Responsibility. The owner of a property shall be responsible for ownership and maintenance of the entire sewer lateral from the building structure to the public sewer line (sewer main) connection. The district is not responsible for damage caused by line breaks or leaks occurring to the property owner's sewer lateral. The property owner shall be responsible for construction of sewer laterals and connections to the sewer main in the event no existing wye or sewer lateral stub out is available.

Installation of Backflow Prevention Device, Responsibility for Operation and Maintenance.

- 1) All new sewer laterals and all sewer lateral replacements shall be equipped with a cleanout riser fitted with a backflow prevention device of type and materials meeting California Plumbing Code requirements.
- 2) Any sewer lateral serving an existing building structure having plumbing fixtures with drain outlets at an elevation below the elevation of the rim of the manhole or cleanout on the sewer main upstream of the sewer lateral connection, shall be equipped with a cleanout riser fitted with a backflow prevention device of type and

materials meeting California Plumbing Code requirements.

- 3) The responsibility for the ownership, operation, and maintenance of the backflow prevention device and its appurtenant fittings shall be that of the property owner. Damage caused to property for the failure to comply with the requirements of the California Plumbing Code or this ordinance shall be the responsibility of the property owner.

- (c) When required, traps or interceptors, or any other pretreatment control devices, shall be installed on the sewer lateral on private property.

**§ 29-28. Discharge reports.** The district may require that any industrial waste user file a periodic discharge report. The discharge report may be required to include, but shall not be limited to, nature of process, volume, rates of flow, mass emission rate, production quantities, hours of operation, number and classification of employees or other information which relates to the generation of waste including waste constituents and characteristics. Such reports may also include the chemical constituents and quantity of liquid or gaseous materials stored on site even though they may not normally be discharged. In addition to discharge reports, the district may require information in the form of waste discharge permit applications and self-monitoring reports.

**§ 29-29. Waste discharge permit.**

- (a) Industrial Waste User. Any industrial waste user (1) who has a discharge flow in excess of fifty thousand gallons per average day or (2) who has a discharge flow in excess of five percent of the district's treatment facility or (3) who has in his discharge toxic pollutants in amounts in excess of the standards established by section 307(a) of the Federal Water Pollution Control Act, PL 92-500 and any amendments, guidelines, rules or regulations adopted thereunder, or (4) who is found by the district to have a significant impact on the district's sewer system or treatment facilities, whether singly or in combination with other industrial waste users, or (5) who discharges waste with a five day twenty degree centigrade biochemical oxygen demand greater than two hundred and forty milligrams per liter or (6) who discharges waste containing more than two hundred and fifty milligrams per liter of suspended solids or (7) who discharges waste containing any substances having the prohibited characteristics described in sections 29-26, may be required by the district to obtain a waste discharge permit and provide protective facilities, including but not limited to pretreatment facilities, before discharging any waste in the district's sewer system.
- (b) Food Service Establishment. All food service establishments must obtain a fats, oil, and grease discharge permit and must install the appropriate protective facilities, including but not limited to traps or interceptors, before discharging any waste in the district's sewer system. New food service establishments or existing development being converted to a new food

service establishment must comply with fats, oils and grease control measures prior to occupancy approval. Existing food services establishments found to not be in compliance must do so within 180 days from notice by the district. A waiver delaying this requirement for up to three years may be issued by the district to allow the food service establishment to either complete the appropriate plumbing retrofit or to demonstrate alternative technology or practices. A variance may be issued by the district where it may be physically infeasible to install the appropriate fats, oils and grease control device (provided alternate measures are employed), or for a food service establishment deemed by the district to be have limited food preparation.

- (c) A permittee shall be subject to inspections by the district and is required to maintain records for at least two years. Permittee shall notify district of any operational problems such as onsite backups or overflows. Permittee shall notify district not less than 60 days prior to any planned changes on the premises that may result in new or increased discharges.
- (d) A discharger of waste that requires a permit, or land owner housing multiple discharges on a single parcel, that has failed to install or properly operate a waste discharge control device and is found to be responsible for damage or impact to the district's facilities, a sanitary sewer overflow, or fines, shall be subject to the cost of remediating said impacts. District shall have the right to place a lien on the property to recover these costs. In addition to the penalties for violations described in section 29-24, the district may physically terminate sewer service by providing 30-day written notice via first-class mail to the landowner's last known address as indicated in the district's records for owner's failure to comply with permit requirements when in the judgment of the district there is a threat of substantial endangerment to the public, employees, the environment, overflows, or violations of federal, state or local laws. A decision to terminate service may be appealed per section 29-38.

**§ 29-30. Same – Failure to obtain.** It shall be unlawful for any person to knowingly fail to obtain a waste discharge permit when such is required.

**§ 29-31. Protective facilities.**

- (a) Plans, specifications and other pertinent information relating to proposed protective facilities (including pretreatment facilities) shall be submitted for review by the district and any other public agency which may have jurisdiction, prior to the construction. Where protective or pretreatment facilities are provided for any waste, they shall be maintained continuously in satisfactory and effective operation, without expense to the district. Submission of plans for review by the district will not relieve such person of his expense or providing additional facilities should those installed prove to be inadequate or incapable of meeting requirements for discharging established by the district.

In special cases, the district manager may require construction of sewer lines by the discharger to convey certain industrial wastes to a specific district sewer. All pretreatment systems or protective facilities determined by the district manager to require engineering design shall have plans prepared and signed by an engineer of suitable discipline licensed in the state.

A gravity separation interceptor, equalizing tank, neutralization chamber and control manhole may be required by the district to remove prohibited settleable and floatable solids, to equalize waste streams varying greatly in quantity and/or quality, to neutralize low or high pH flows and to facilitate inspection, flow measurement and sampling. Floor drains from commercial or manufacturing buildings, warehouses or multi-use structures shall not discharge directly to the sewer, but shall first discharge to a gravity separation interceptor.

(b) Any user may be required by the district to provide protection from accidental discharge or prohibited materials or other wastes discharged into the district sewer system. Retention basins, dikes, storage tanks or other facilities designed to eliminate, neutralize, offset or otherwise negate the effects of prohibited materials or wastes may be required by the district prior to the user's discharge into the district's sewer system.

Users shall notify the district immediately when accidental discharges of wastes in violation of this article occur so that countermeasures may be taken by the district to minimize damages to the sewer system, treatment plant, treatment processes and the receiving waters. Such notification will not relieve the user of liability for any expense, loss or damage to the sewer system, treatment plant or treatment process or for any fines imposed on the district on account thereof under section 13350 of the California Water Code or for violation of section 5650 of the California Fish and Game Code.

(c) Within fifteen days of the date of any accidental discharge, the user shall furnish to the district a detailed written statement describing the causes of the accidental discharge.

(d) In order that any employees of a waste discharge permittee be more fully informed of district requirements, copies of this article shall be permanently posted on the premises of the waste discharge permittee together with such other industrial waste information and notices which may be furnished by the district from time to time directed toward more effective water pollution control.

**§ 29-32. Control manholes.** Any waste discharge permittee may be required by the district to install a control manhole to facilitate observation, sampling and measurement of the wastes. Such manhole, when required, shall be accessible and safely located, may be required to separate industrial waste

from domestic waste until the industrial wastes have passed through any required protective facility or pretreatment system or device and shall be constructed in accordance with standardized plans approved by the district. The manhole shall be installed and maintained without expense to the district in a safe condition and accessible to district personnel at all reasonable times.

**§ 29-33. Waste volume determination.** The district may determine the volume of waste discharge for the purposes of user charges and fees based upon one of the following methods:

- (a) The total amount of water used from all sources including public or private, less that portion of such water diverted from the district's sewer system for which the user presents to the district evidence satisfactory to the district of the amount of such diversion.
- (b) In the event that the user discharges materials that will increase the volume of discharge over and above the volume as determined by subsection (a) of this section, the district may require the user to meter the discharge.
- (c) In the event the volume of discharge is unable to be determined by measurement, the district shall prepare an estimate of the volume of discharge based upon such factors as numbers of fixtures, seating capacity, population equivalent, annual production of goods and/or services and such other determination of volume of waste discharged.

**§ 29-34. Measurements, tests and analyses.** All measurements, tests or analyses of the characteristics of waste to which reference is made in this article shall be determined in accordance with "Standard Methods for the Examination of Water and Waste-Water," 13th Ed., published by the American Waterworks Association and later editions and amendments thereto or other methods acceptable to the district and shall be determined by suitable samples.

**§ 29-35. Right of entry.** The manager and other duly authorized employees of the district shall be permitted to enter all properties served by the district for the purposes of inspection, observation, measurement, sampling and testing in accordance with the provisions of this article.

**§ 29-36. Waste users charges and fees.**

- (a) Classification of Users. All users shall be classified by the district according to the principal activity conducted on the user's premises and based on the typical waste constituents and characteristics for that type of user as determined by the district. The purpose of such classification is to facilitate the regulation of waste discharges based on waste constituents and characteristics to provide an effective means of source control and to establish a system of user charges and fees which will insure an equitable

recovery of the district's costs. Waste constituents and characteristics may include but not be limited to the following: Volume, Suspended Solids, Chemical Oxygen Demand (COD), Biochemical Oxygen Demand (BOD), Oil and Grease and Chlorine Demand.

(b) Types of Charges and Fees. A user classification service charge may be adopted for each user category based upon the charges for the average waste constituents and characteristics for each user classification. The charges for each waste constituent and characteristics shall be established by the district. The district may adopt a schedule of service charges and fees which may include:

- 1) User classification charges.
- 2) Fees for monitoring.
- 3) Fees for permit applications.
- 4) Appeal fees.
- 5) Charges and fees based on waste constituents and characteristics to include industrial cost recovery provisions of the Federal Water Pollution Control Act, PL 92-500, and amendments thereto.
- 6) Connection charges.

(c) Determination of User Charges. Each user shall pay the applicable charge as established by the district for service charges, connection charges and other fees and methods of fee collection by the district. Should the district manager determine a user is discharging waste which does not have levels of biochemical oxygen demand, chemical oxygen demand, suspended solids or other constituents comparable with domestic waste, the district shall establish a service charge for such a user which is based on that user's proportional contribution to the total treatment works loading and the district's operational and maintenance costs.

For any user, including but not limited to industrial or commercial users, the district may establish a service charge by use of the following user charge models:

- 1) Model No. 1. If the treatment works is primarily flow dependent or if the BOD, suspended solids and other wastes constituents and characteristics discharged by all users are approximately equal, then user charges can be developed on a volume basis in accordance with the model below:

$$C_u = CT/VT (V_u)$$

- 2) Model No. 2. When BOD, COD, suspended solids, or other waste constituents and characteristics from a user exceed the range of concentration in normal domestic waste, a surcharge added to a base charge, calculated by means of Model No. 1 can be levied. The surcharge

can be computed by the model below:

$$C_s = (B_c(B) + S C(S) + P_c(P)) V_u$$

- 3) Model No. 3. This model is commonly called the "quantity/quality formula":  $C_u = V_c V_u + B_c B_u + S_c S_u + P_c P_u$ . The symbols used in the models are as defined below:

$C_T$  = Total operation and maintenance (O. & M.) costs per unit of time.

$C_u$  = A user's charge for O. & M. per unit of time.

$C_s$  = A surcharge for waste of excessive strength.

$V_c$  = O. & M. cost for transportation and treatment of a unit of waste volume.

$V_u$  = Volume contribution from a user per unit of time.

$V_T$  = Total volume contribution from all users per unit of time.

$B_c$  = O. & M. cost for treatment of a unit of biochemical oxygen demand (BOD).

$B_u$  = Total BOD contribution from a user per unit of time.

$B_T$  = Total BOD contribution from all users per unit of time.

$B$  = Concentration of BOD from a user above a base level.

$S_c$  = O. & M. cost for treatment of a unit of suspended solids.

$S_u$  = Total suspended solids contribution from a user per unit of time.

$S$  = Concentration of SS from a user above a base level.

$P_c$  = O. & M. cost for treatment of a unit of any waste constituent and characteristic.

$P_u$  = Total contribution of any waste constituent and characteristic from a user per unit of time.

$P_T$  = Total contribution of any waste constituent and characteristic from all users per unit of time.

$P$  = Concentration of any waste constituent and characteristic from a user above a base level.

**§ 29-37. Special agreements.** Special agreements and arrangements between the district and any persons or agencies may be established when in the opinion of the district unusual or extraordinary circumstances compel special terms and conditions.

**§ 29-38. Appeals.** All decisions, interpretations or acts of the district manager shall be subject to appeal to the board of directors of the district. Any person affected by such decision may, within thirty days after such decision is rendered, file with the clerk of the board of directors of the district an appeal in writing protesting against such decision. The board of directors of the district may, after a public hearing thereon, amend, overrule or approve the decision of the district manager.



**§ 29-39. Recycled water, use of.**

- (a) It is the policy of the Laguna County Sanitation District that recycled water be used wherever it is available in conformance with California Water Code sections 13550 and 13551.
- (b) A person or public agency, as used in California Water Code section 13551, shall not use water from any source of quality suitable for potable domestic use for nonpotable uses if suitable recycled water is available as provided in section 13550.
- (c) The district shall review the facts and make a preliminary determination pursuant to California Water Code section 13550 if a parcel or parcels of land are required to comply with subsection (b) of this section and establish a time schedule for compliance. A notice of that preliminary determination and a time schedule for compliance shall be sent to the owner of the parcel(s) using for this purpose, the last known name and address of such owners as shown upon the last assessment roll of the County of Santa Barbara. Any notice by the district under this section shall be deemed given when properly addressed and deposited into the United States mail with postage fully pre-paid or personally delivered to the owner. The owner may file a notice of objection which must be in writing, must specify the reasons for the objections and must be filed with the district within twenty days after it is given or mailed to the owner. The preliminary determination and time schedule for compliance shall be final if the owner does not file a timely objection. The district shall meet with the owner to attempt to resolve the objections. If the objections cannot be resolved to the mutual satisfaction of the district and owner, the district shall give the owner a final determination and make a request pursuant to article 2 (commencing with section 648) of chapter 1.5 of division 3 of title 23 of the California Code of Regulations that the State Water Resources Control Board, Regional Water Quality Control Board and any other appropriate agencies conduct a hearing to determine if the parcel or parcels must use recycled water pursuant to Water Code sections 13550 and 13551.

SANTA BARBARA COUNTY CODE, CHAPTER 29, ARTICLE IV. NOT APPLICABLE TO SEWER SYSTEMS

SANTA BARBARA COUNTY CODE, CHAPTER 24A

**§ 24A-1 Administrative fines or penalties in addition to other remedies – Authority, definitions**

In addition to any other remedy allowed by this Code or applicable law, any violation of the provisions of Santa Barbara County Code chapters 6 (article III), 7, 9A, 10, 11, 14 (excluding the "potential for significant environmental damage"

clause of section 14-8(c)(8)), 14C, 15, 16, 17, 18 (articles I, III, IV and V), 18C, 23 (article III), 25, 26, 29 (articles I, III and IV), 34A, 34B, 34C, 35, 37 and 44, shall be subject to an administrative fine or penalty, enforcement and collection proceedings, as set forth in this chapter and authorized by California Government Code Section 53069.4. For purposes of this article, "director" shall include the treasurer-tax collector, the director of animal services, the director of planning and development, the agricultural commissioner, the fire chief, the director of public works, the director of environmental health services, the director of community services, and their designees. Unless otherwise specified, "owner" shall include the owner of property upon which a violation of this article exists, the occupant of that property and any other party responsible for the violation.

**§ 24A-2      Procedures**

- (a) The treasurer-tax collector or his or her designee shall be responsible for implementing the procedures set forth in this chapter with respect to violations of chapter 6 (article III). The director of animal services or his or her designee shall be responsible for implementing the procedures set forth in this chapter with respect to violations of chapter 7. The director of planning and development or his or her designee shall be responsible for implementing the procedures, set forth in this chapter with respect to violations of chapters 9A, 10, 11, 14 (excluding the "potential for significant environmental damage" clause of section 14-8(c)(8)), 14C, 25 and 35 of the Santa Barbara County Code. The agricultural commissioner or designee shall be responsible for implementing the procedures set forth in this chapter with respect to violations involving native oak tree removal under chapter 14 and violations of the weights and measures registration requirements under chapter 34C of the Santa Barbara County Code.

The fire chief or his or her designee shall be responsible for implementing the procedures set forth in this chapter with respect to violations of chapters 15 and 18 (articles III, IV and V). The director of environmental health services or his or her designee shall be responsible for implementing the procedures set forth in this chapter with respect to violations of chapters 16, 18 (article I), 18C, 34A and 34B of the Santa Barbara County Code. The director of public works or his or her designee shall be responsible for implementing the procedures set forth in this chapter with respect to violations of chapters 17, 23 (article III) and 29 (articles I, III and IV) of the Santa Barbara County Code. The director of community services, or his or her designee shall be responsible for implementing the procedures set forth in this chapter with respect to violations of chapter 26, 37 and 44.

- (b) Upon determining that a violation of any provision of chapters 6 (article III), 9A, 10, 11, 14 (excluding the "potential for significant environmental damage" clause of section 14-8(c)(8)), 14C, 15, 16, 17, 18 (articles I, III, IV and V), 18C, 23 (article III), 25, 26, 29 (articles I, III and IV), 34A, 34B, 34C,

35, 37 or 44 of this Code exists with respect to any property, the director shall transmit a notice of violation to the owner by certified mail or by personal service by a public officer, or other service methods in accordance with California Code of Civil Procedure Section 415.20, as amended. The notice of violation shall specify:

- 1) The conditions constituting violations;
  - 2) A specified time period not less than thirty days from receipt of the notice of violation within which the violation must be abated;
  - 3) That the conduct, activity or circumstances constituting the violation must be stopped immediately or immediate steps must be taken to make the correction;
  - 4) That, in the event the violation is not corrected by the expiration of the specified time period ("effective date of the notice of violation"), the owner shall be subject to an administrative fine under this chapter; and
  - 5) That the owner may submit in writing, to the director, any information relating to a determination of the existence of a violation or the amount of the fine to be imposed. If the director determines that an effort is being made to correct the violation, he or she may grant an additional period of time for correction of the violation.
- (c) Notwithstanding subsection (b) of this section, the director may require immediate correction of a violation if the violation creates an immediate danger to the health and safety of persons or property.
- (d) The director may condition any building permit, grading permit or land use permit issued to remediate a violation to require that the work or project described in the permit be completed by a certain date or in a certain period of time. Failure to complete the work or project by the date or within the time stated in a permit condition shall be good cause in the discretion of the director to:
- 1) Issue a stop work order; and/or
  - 2) Suspend or revoke the permit; and/or
  - 3) Impose administrative fines for the permit violation.

**§ 24A-3      Amount of fine - General.**

Any person who violates any provision of chapters 6 (article III), 7, 10, 11, 14 (excluding the "potential for significant environmental damage" clause of section 14-8(c)(8)), 14C, 15, 16, 17, 18 (articles I, III, IV and V), 18C, 23 (article III), 25, 26, 29 (articles I, III and IV), 34A, 34B, 34C, 35, 37 or 44 of this Code, or any person who owns property upon which a violation exists, irrespective of whether that

person caused the violation, shall be subject to an administrative fine up to the maximum amounts as set forth below.

Notwithstanding any other provision of law, a violation of local building and safety codes determined to be an infraction is punishable by (1) a fine not exceeding one hundred dollars for a first violation; (2) a fine not exceeding five hundred dollars for a second violation of the same ordinance within one year; (3) a fine not exceeding one thousand dollars for each additional violation of the same ordinance within one year of the first violation.

**§ 24A-4      Amount of fine - Infraction**

If this code designates the violation as an infraction, the director shall impose as the administrative fine up to the maximum fine or penalty amounts for infractions set forth in subdivision (b) of California Government Code Section 25132; the director shall impose the fine if the violation is not abated by the effective date of the notice of violation.

**§ 24A-5      Amount of fine - Other**

If this Code does not designate the violation as an infraction, or deems as a separate and distinct violation each and every day during which a violation continues to exist or, if it provides in the alternative for civil remedies and penalties in amounts greater than set forth in subdivision (b) of California Government Code Section 25132, the director shall impose an administrative fine within the amounts set forth below:

- (a) If the violation arises from an unlawful commercial, industrial, rental (residential or nonresidential), owner-occupied residential or similar use or structure on the property, the director, in his or her discretion, shall impose a fine in one of the following sums:
  - 1) One hundred dollars for the date of transmittal of the notice of violation, and up to one hundred dollars for each calendar day thereafter that the violation exists on the property through the effective date of the notice of violation for initial notice of violation, two hundred dollars per day for second notice of violation and five hundred dollars per day for any third or subsequent notice of violation for the same violation, within one year.
  - 2) In addition to the fines described in subsection (a)(1), in the event that the use of a structure in violation may be permitted with an appropriate permit, up to a maximum of five times the amount of the standard fee for such permit.
- (b) In the event that an action results in a "one-time" violation which cannot be corrected/cured (e.g., violation of permit conditions, use violations, etc.) the director may impose fines under an immediate notice of

determination of fines up to one thousand dollars per each one-time action.

- (c) If a violation is corrected pursuant to a notice of violation and the same conduct is committed within forty-five days of the correction, the violation will be deemed a continuing violation and immediate fines will be incurred dating back to the date of the original notice of violation.
- (d) Violations of Chapter 29, Articles I and III shall be subject to penalties set forth in Section 29-24.

**§ 24A-6      Determination of fine – Notice of determination of fine – Recordation of notice.**

- (a) In making a fine determination, the director shall take into account the facts and circumstances of the violation, including without limitation:
  - 1) The length of time the violation existed;
  - 2) The culpability of the owner and the willfulness of the violation;
  - 3) The number of previous violations of the same or related type committed by the owner within the preceding thirty-six months;
  - 4) The extent of the violation and the effect of the violation on neighboring properties;
  - 5) Attempts, if any, to comply with the applicable ordinances;
  - 6) The time necessary to abate the violation;
  - 7) Any other information relevant to a determination of the fine. In making a determination of the fine, the director shall consider any information submitted by the owner. In the event that the director determines that the violation was not caused by, or with the knowledge of, the current owner, the director may reduce or eliminate the fine. In the event the director determines that the correction of the violation is not feasible, and the violation does not present a threat to public health or safety, the director may reduce or eliminate the fine.
- (b) After making a determination of the fine, the director shall transmit a notice of determination of fine by certified mail or personal service by a public officer, or other service methods in accordance with California Code of Civil Procedures Section 415.20, as amended, to the person upon whom the fine has been imposed. The notice of determination of fine shall contain a statement that if the owner fails to request an appeal of the administrative fine, the notice of determination of fine shall be final and

that any responsible party upon whom an administrative fine has been imposed may seek judicial review of the order imposing the penalty pursuant to Government Code § 53069.4.

- (c) The director may, in his discretion, record a copy of the notice of determination of fine with the Santa Barbara County Recorder. In the event of such recordation, and in the event that the violation is subsequently corrected, the director shall record a notice of correction. Correction of the violation shall not excuse the owner's liability for costs incurred during the administrative abatement process or for payment of all fines accrued prior to correction.

**§ 24A-7      Appeals**

- (a) Any person upon whom an administrative fine is imposed by the director may appeal such fine pursuant to the procedures set forth in this section. The appellant must file a written appeal with the director within ten working days of personal service or the date of mailing of the notice of determination of fine. The written appeal shall contain:

- 1) A brief statement setting forth the interest the appealing party has in the matter relating to the imposition of the penalty;
- 2) A brief statement of the material facts which the appellant claims supports his or her contention that no administrative penalty should be imposed or that an administrative penalty of a different amount is warranted.

- (b) An appeal of an administrative fine imposed for violations of chapter 6, (article III) shall be heard by the treasurer-tax collector as the hearing examiner. An appeal of an administrative fine imposed for violations of chapter 7 of this Code shall be heard by the director of animal services as the hearing examiner. An appeal of an administrative fine imposed for violations of chapters 9A, 10, 11, 14 (excluding the "potential for significant environmental damage" clause of section 14-8(c)(8)), 14C, 25 and/or chapter 35 of this Code shall be heard by the director of planning and development as the hearing examiner. An appeal of an administrative fine imposed for violations of chapter 14 involving native oak tree removal or violations of the weights and measures registration requirements under chapter 34C shall be heard by the agricultural commissioner as the hearing examiner. An appeal of an administrative fine imposed for violations of chapter 15 and chapter 18 (articles III, IV and V) of this Code shall be heard by the fire chief as the hearing examiner. An appeal of an administrative fine imposed for violations of chapters 16, 18 (article I), 18C, 34A and/or 34B of this Code shall be heard by the director of environmental health services as the hearing examiner. An appeal of an administrative fine imposed for violations of chapters 17,

23 (article III) and/or 29 (articles I, III and IV) of this Code shall be heard by the director of public works as the hearing examiner. An appeal of an administrative fine imposed for violations of chapters 26, 37 and/or 44 shall be heard by the director of community services. The above-specified hearing examiner may, at his or her discretion, appoint an alternate hearing examiner. The administrative fine appeal hearing shall be set no sooner than twenty days and no later than forty-five days following a request for an appeal hearing, unless otherwise waived by the appellant in writing. Notice of the appeal hearing shall be mailed at least twelve calendar days before the date set for the hearing. Failure to appear timely will cause the administrative fine to become a final order or decision.

- (c) In reviewing the fine, the hearing examiner shall consider the factors set forth in subsection (a) of this section, and shall uphold the fine imposed by the director or his or her designee, eliminate the fine, or modify it. The decision of the hearing examiner shall constitute the final administrative order or decision of the local agency within the meaning of Government Code Section 53069.4(b)(1) and (c). The hearing examiner shall serve a copy of his or her written decision on the appellant by first class mail to the address provided by appellant in the written notice of appeal.
- (d) Alternate Hearing Examiner. Should the specified hearing examiner deem it appropriate to appoint an alternate hearing examiner, such alternate hearing examiner shall have the experience, subject matter expertise and/or knowledge of administrative procedure to properly perform those duties. An experienced public agency employee, licensed professional (attorney, engineer, accountant, health professional, etc.) or qualified administrative law judge may, as deemed appropriate by the specified hearing officer, be appointed to such duties.

**§ 24A-8      Enforcement and collection**

When an administrative fine or penalty becomes a final order under this section or Government Code Section 53069.4, the county may proceed to collect the fine or penalty as follows:

- (a) In the event a civil action is commenced to collect the administrative penalty, the county shall be entitled to recover all costs associated with the collection of the penalty. Costs include, without limitation, staff time incurred in the collection of the penalty and those costs set forth in Code of Civil Procedure Section 1033.5.
- (b) An administrative penalty shall accrue interest at the same annual rate as any civil judgment. Interest shall accrue commencing on the 20th day after the penalty becomes a final decision or order.
- (c) The amount of any unpaid administrative fine, plus interest, plus any

other costs as provided in this chapter, may be declared a lien on any real property owned by the owner within the county against whom an administrative penalty has been imposed, as follows:

- 1) Notice shall be given to the owner before recordation of the lien, and shall be served in the same manner as a summons in the civil action pursuant to Code of Civil Procedure Section 415.10 et seq.;
  - 2) The lien shall attach when the county records it with the county recorder's office. The lien shall specify the amount of the lien, the date of the code violations, the date of the final decision, the street address, legal description, and assessor's parcel number of the parcel on which the lien is imposed, and the name and address of the record owner of the parcel; and
  - 3) In the event that the lien is discharged, released, or satisfied, either through payment or foreclosure, the county shall record a notice of the discharge containing the information specified in subsection (2) of this section.
- (d) The county may withhold issuance of licenses, permits and other entitlements to a responsible party on any project, property, or application of any kind whenever an administrative penalty remains unpaid.
- (e) County may take such other actions as are allowed for enforcement of a civil judgment as provided for pursuant to the Enforcement of Judgment Law, California Code of Civil Procedure Section 680.010 et seq.

**§ 24A-9      Judicial review**

Any person aggrieved by a final administrative order or decision imposing an administrative fine may seek review with the superior court in Santa Barbara County pursuant to Government Code Section 53069.4.



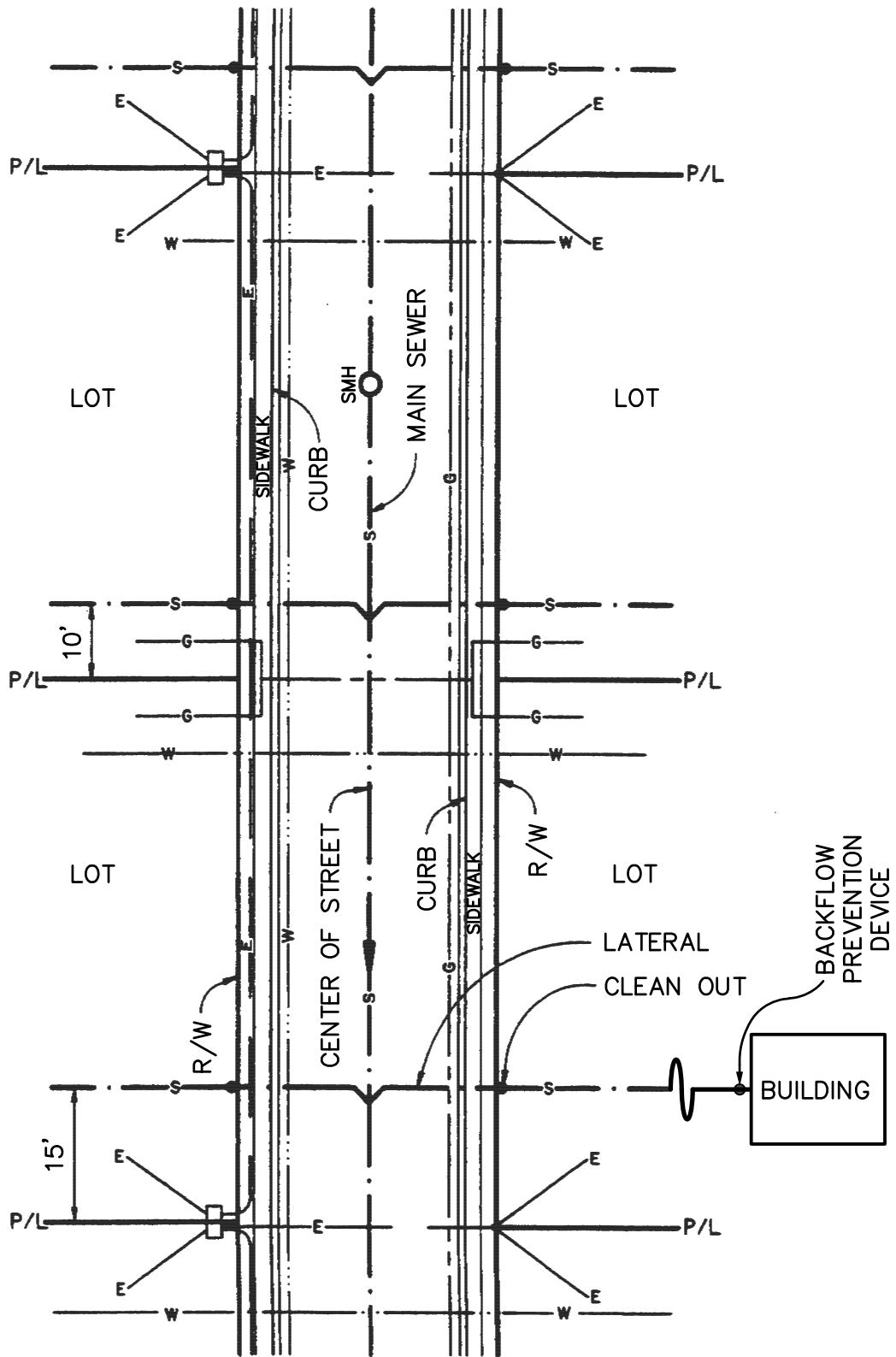
**SECTION 7 - STANDARD DRAWINGS AND ATTACHMENTS**

Standard Drawing	Title
1	Sewer Location in Public Roads
2	Sewer Pipe Trench
3	Wye Installation in Existing Sewer Main
4	Sewer Lateral
5	Backflow Prevention Device
6	Sewer Manhole
7	Grease Interceptor

Attachments

A - Water Main Separation

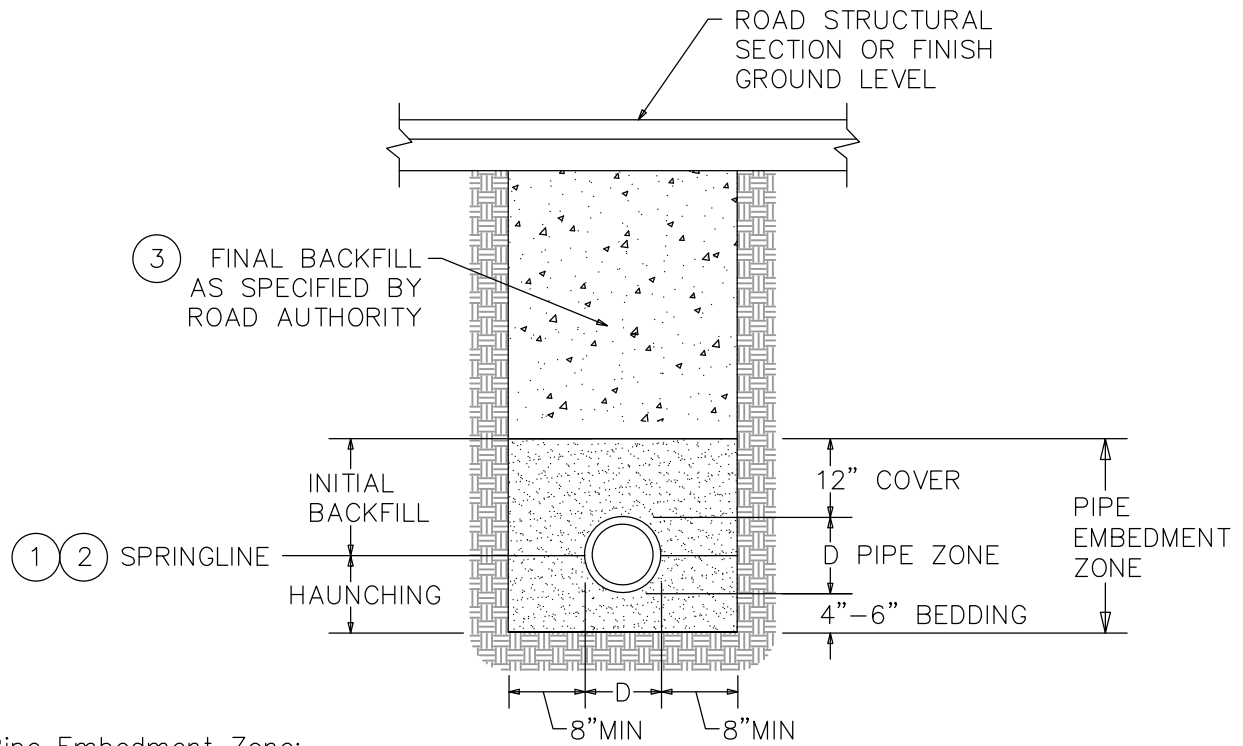
B - Laguna County Sanitation District Sewer Service Application form



LAGUNA  
COUNTY  
SANITATION  
DISTRICT

SEWER LOCATION IN  
PUBLIC ROADS

STANDARD  
DRAWING  
NO. 1



1. Pipe Embedment Zone:

The pipe embedment zone material shall be sand, gravel, crushed aggregate, or native free draining granular material having a sand equivalent of not less than 30 or having a permeability greater than 1½" per hour, or other material approved by the District.

2. Placement of Backfill Material:

Pipe bedding material shall be placed on competent foundation and compacted in the trench before the pipe is laid in place. Upon laying and securing the pipe on the bedding, the bedding material shall be shoveled and walked into the haunching area simultaneously on both sides of the pipe to the pipe spring line in such a way to eliminate voids. The balance of the material shall be placed from the pipe spring line to the 12" over the pipe and compacted. Compaction tests to be performed at developer's expense shall meet or exceed a relative compaction of 85% in the pipe embedment zone, and as specified by road authority above it. The backfill shall be placed in horizontal layers of such depths as are considered proper for the type of compaction equipment being used in relation to the backfill material being placed.

3. Approved Backfill Material:

Backfill material extending from 12" above the pipe to below a roadway structural section shall be as prescribed in a geotechnical report or encroachment permit requirements.

When not prescribed in a geotechnical report or encroachment permit, backfill material, whether native or imported, shall be free from shale, sod, roots, rubbish, trash, lumber, organic material, ashes and other debris, unusual color, contamination, and sulfide odor. Rocks, including pieces of broken concrete or bituminous pavement, originating from the native material shall have a maximum size of 6 inches and shall be dispersed within, or mixed with, the backfill material such that voids or pockets of large pieces ("nesting") are not created. Backfill material shall be compacted to a required minimum relative compaction of 90%. when pavement is to be placed directly on the backfill material, 95% relative compaction is required in the top 6".

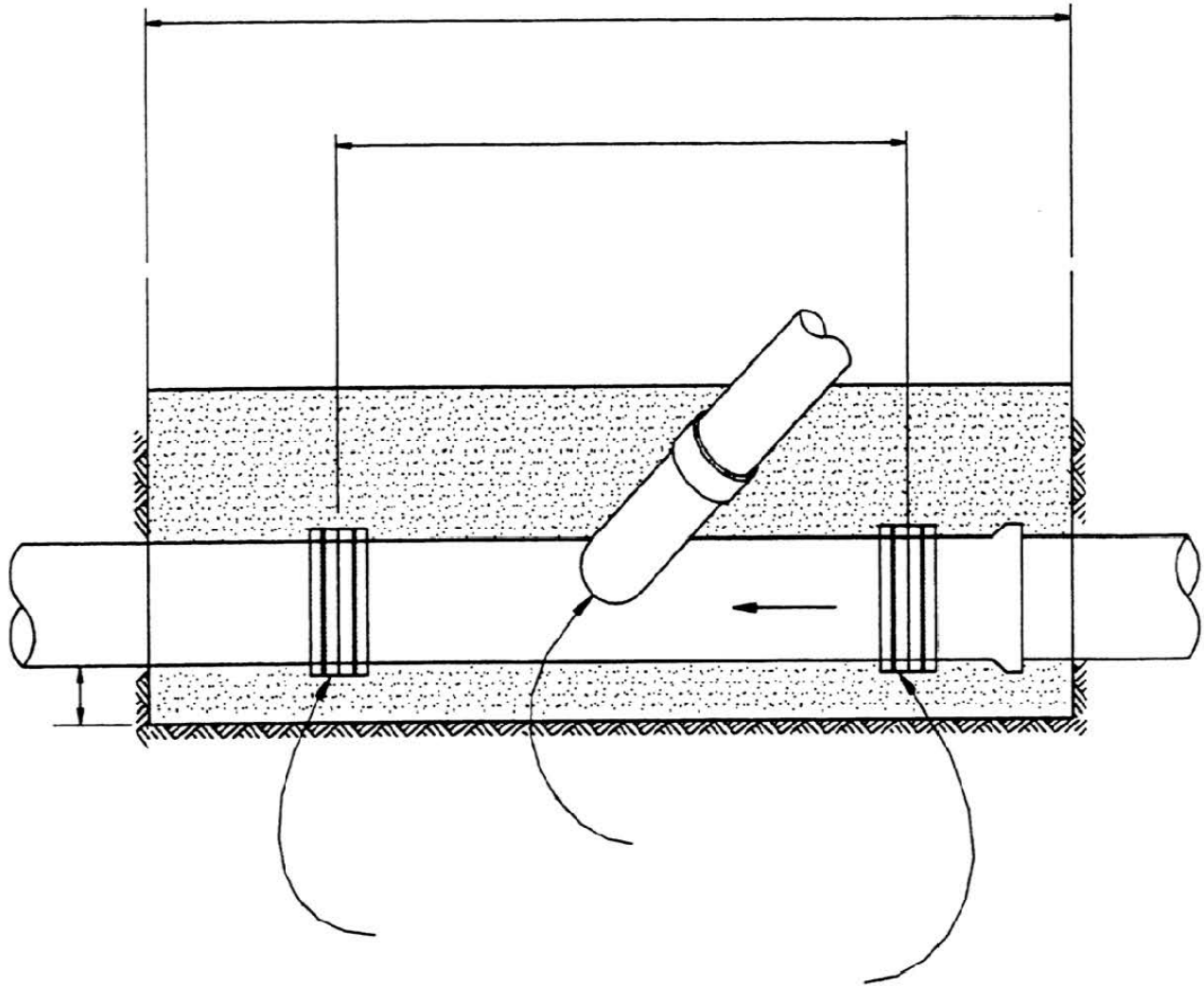


LAGUNA  
COUNTY  
SANITATION  
DISTRICT

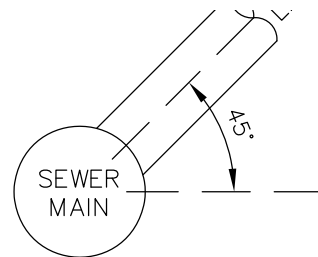
SEWER PIPE  
TRENCH

STANDARD  
DRAWING  
NO. 2

OVEREXCAVATE A MIN. OF 12" FROM COUPLING AND BACKFILL TO A MIN.



NOTE: TAPPING OR SADDLE TYPE MAY BE CONSIDERED FOR APPROVAL.



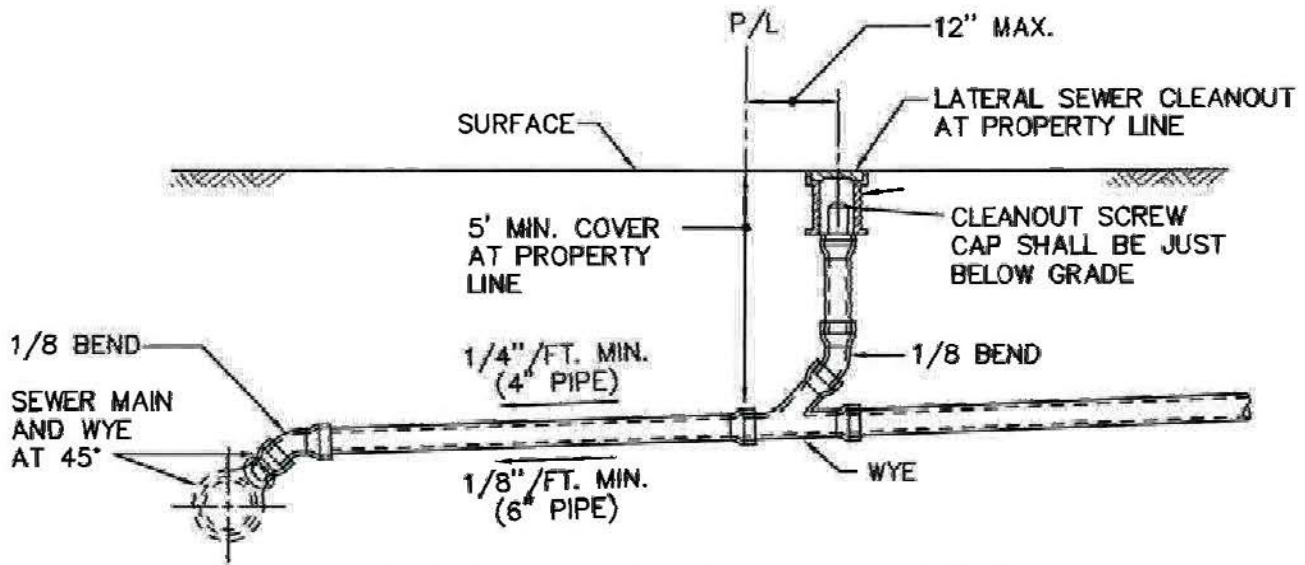
SECTION C-C



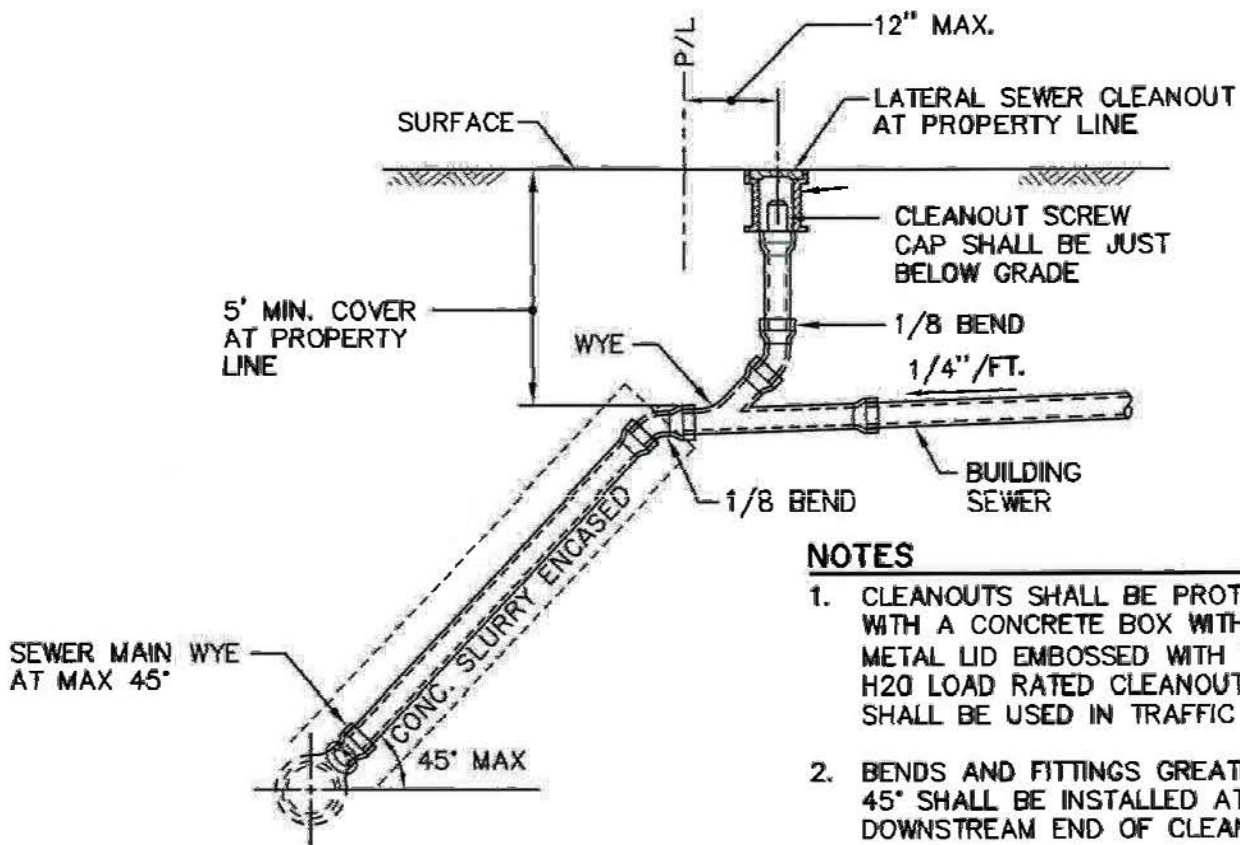
LAGUNA  
COUNTY  
SANITATION  
DISTRICT

WYE  
INSTALLATION IN  
EXISTING SEWER

STANDARD  
DRAWING  
NO. 3



**4" & 6" LATERALS AT TYPICAL DEPTH**



**4" & 6" DEEP LATERALS**

**NOTES**

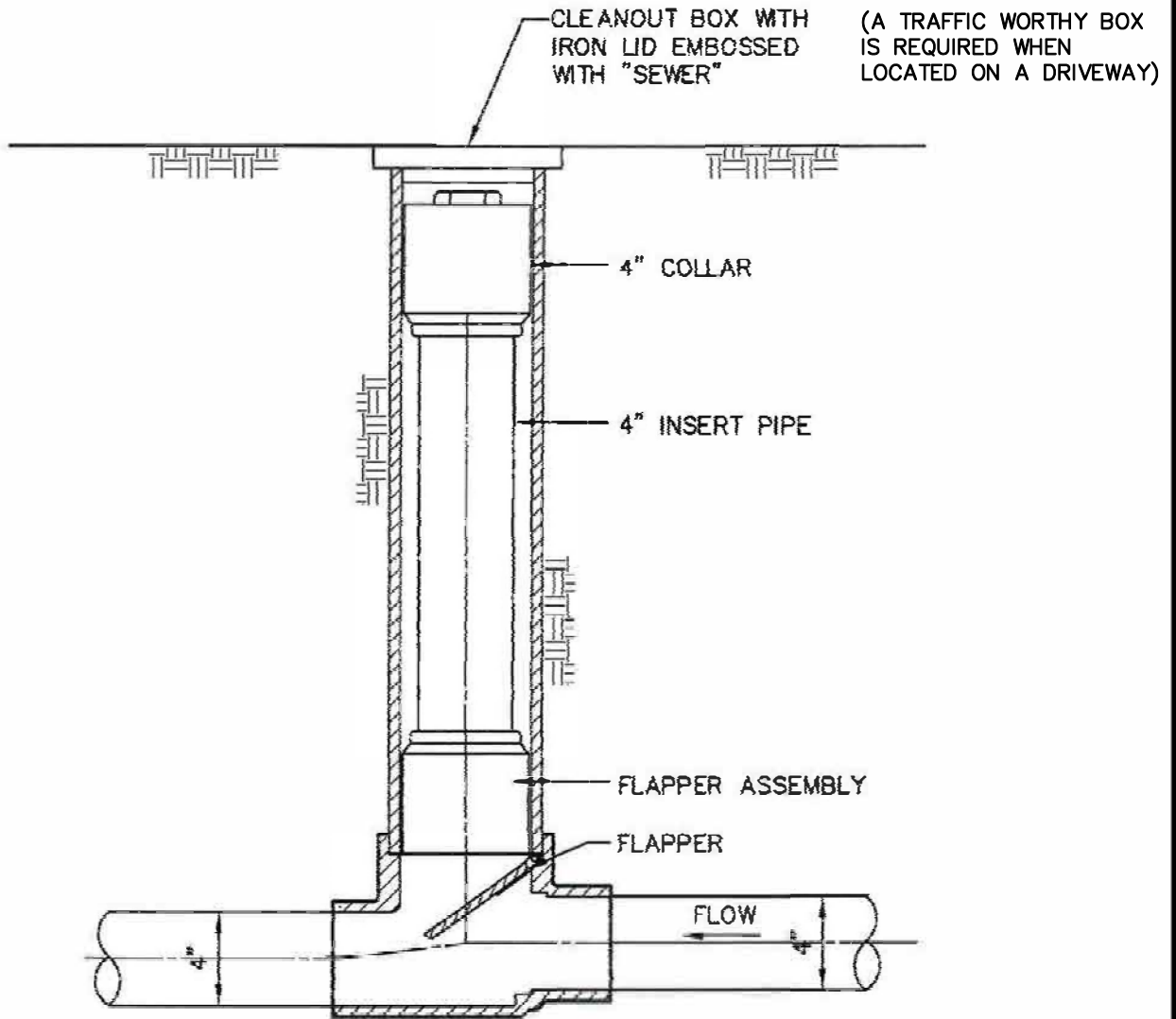
1. CLEANOUTS SHALL BE PROTECTED WITH A CONCRETE BOX WITH A METAL LID EMBOSSED WITH "SEWER". H20 LOAD RATED CLEANOUT BOXES SHALL BE USED IN TRAFFIC AREAS.
2. BENDS AND FITTINGS GREATER THAN 45° SHALL BE INSTALLED AT THE DOWNSTREAM END OF CLEANOUTS.
3. LATERALS SHALL BE INSTALLED PERPENDICULAR TO SEWER MAIN AND CONTINUE STRAIGHT TO THE PROPERTY OR EASEMENT LINE.



LAGUNA  
COUNTY  
SANITATION  
DISTRICT

LATERAL SEWER

STANDARD  
DRAWING  
NO. 4



**TYPICAL SECTION**

COUNTY CODE SECTION 29-27.1.C, INSTALLATION OF BACKFLOW PREVENTION DEVICE, RESPONSIBILITY FOR OPERATION AND MAINTENANCE (ORD. No. 4497 JUNE 3, 2003, & ORD. No. 4867 SEPT. 17, 2013)

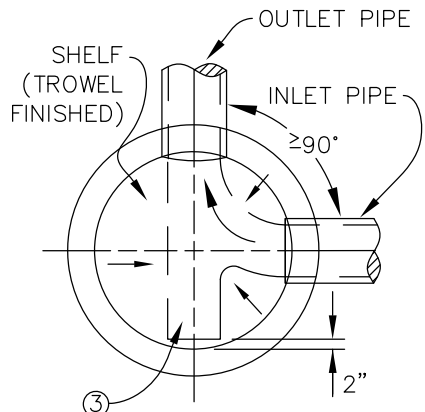
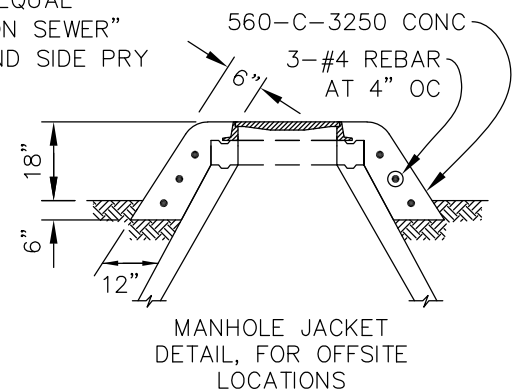
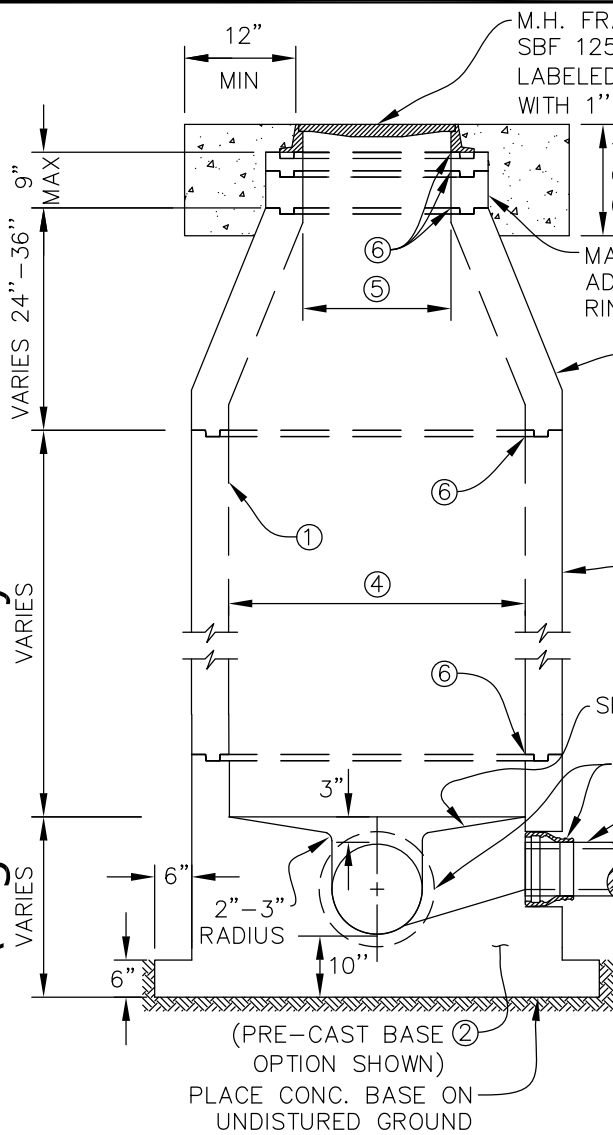
1. ALL NEW SEWER SEWER LATERALS AND ALL SEWER LATERAL REPLACEMENTS SHALL BE EQUIPPED WITH A CLEANOUT RISER FITTED WITH A BACKFLOW PREVENTION DEVICE OF TYPE AND MATERIALS MEETING CALIFORNIA PLUMBING CODE REQUIREMENTS.
2. ANY SEWER LATERAL SERVING AN EXISTING BUILDING STRUCTURE HAVING PLUMBING FIXTURES WITH DRAIN OUTLETS AT AN ELEVATION BELOW THE ELEVATION OF THE RIM OF THE MANHOLE OR CLEANOUT ON THE SEWER MAIN UPSTREAM OF THE SEWER LATERAL CONNECTION, SHALL BE QUIPPED WITH A CLEANOUT RISER FITTED WITH A BACKFLOW PREVENTION DEVICE OF TYPE AND MATERIALS MEETING CALIFORNIA PLUMBING CODE REQUIREMENTS.
3. THE RESPONSIBILITY FOR THE OWNERSHIP, OPERATION, AND MAINTENANCE OF THE BACKFLOW PREVENTION DEVICE AND ITS APPURTENANT FITTINGS SHALL BE THAT OF THE PROPERTY OWNER. DAMAGE CAUSED TO THE PROPERTY FOR THE FAILURE TO COMPLY WITH THE REQUIREMENTS OF THE CALIFORNIA PLUMBING CODE OR THIS ORDINANCE SHALL BE THE RESPONSIBILITY OF THE PROPERTY OWNER.



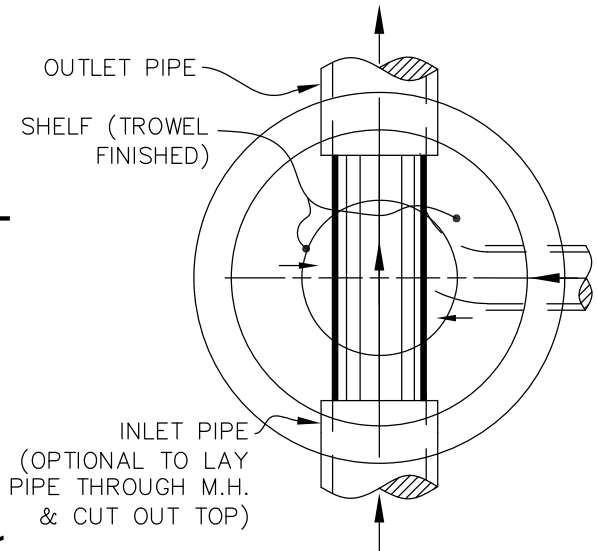
LAGUNA  
COUNTY  
SANITATION  
DISTRICT

BACKFLOW  
PREVENTION  
DEVICE

STANDARD  
DRAWING  
NO. 5



- NOTES**
- ① COAT INSIDE OF MANHOLES LOCATED OFFSITE AND  $\geq 15'$  IN DEPTH WITH DISTRICT APPROVED PROTECTIVE COATING WITH HIGH BONDING STRENGTH AND RESISTANCE TO WATER AND SEWER GASES PER THE MANUFACTURER'S REQUIREMENTS.
  - ② PRECAST BASE OR CAST-IN-PLACE CONCRETE MANHOLE BASES ARE ALLOWED PROVIDED THEY USE DESIGN INVERT ELEVATIONS. 560-C-3250 CONC. SHALL BE USED. CONNECTING BOOT TO BE USED FOR PRE-CAST AND WATER STOP O-RING TO BE USED FOR CAST-IN-PLACE.
  - ③ CHANNELS ENTERING AT ANGLES SHALL BE FORMED AS SHOWN ABOVE TO ALLOW ACCESS FOR CAMERA AND MAINTENANCE EQUIPMENT.
  - ④ 48" INSIDE DIAMETER AND CONCENTRIC CONE WHEN  $< 18"$  PIPES ARE USED, AND 60" INSIDE DIAMETER AND ECCENTRIC CONE WHEN 18" TO 27" PIPES ARE USED. PIPES  $> 27"$  REQUIRE SPECIAL DESIGN.
  - ⑤ 24" OPENING WHEN  $< 18"$  PIPES ARE USED, AND 30" OPENING WHEN  $\geq 18"$  PIPES ARE USED.
  - ⑥ CONCRETE JOINTS SHALL BE SET WITH BUTYL RUBBER SEALANT. INSIDE AND OUTSIDE OF JOINTS SHALL BE GROUTED,
  - ⑦ IF OUTLET PIPE SIZE IS GREATER THAN INLET PIPE SIZE, CROWNS ELEVATIONS OF THE TWO PIPES MUST BE MATCHED AT THE MANHOLE.

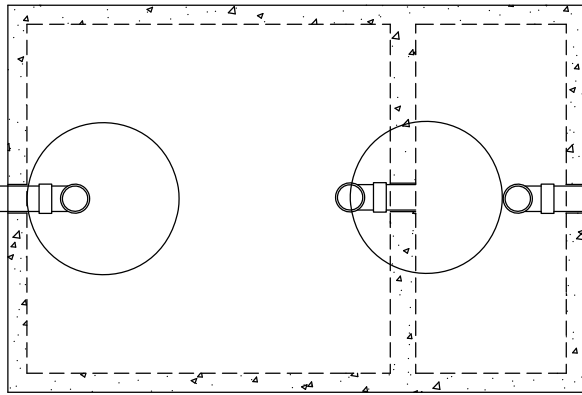


LAGUNA COUNTY SANITATION DISTRICT

STANDARD MANHOLE

STANDARD DRAWING NO. 6

WASTEWATER  
DRAIN LINES  
WITH THE  
POTENTIAL TO  
DISCHARGE  
LIQUID  
CONTAINING  
SAND, GREASE  
& OIL →



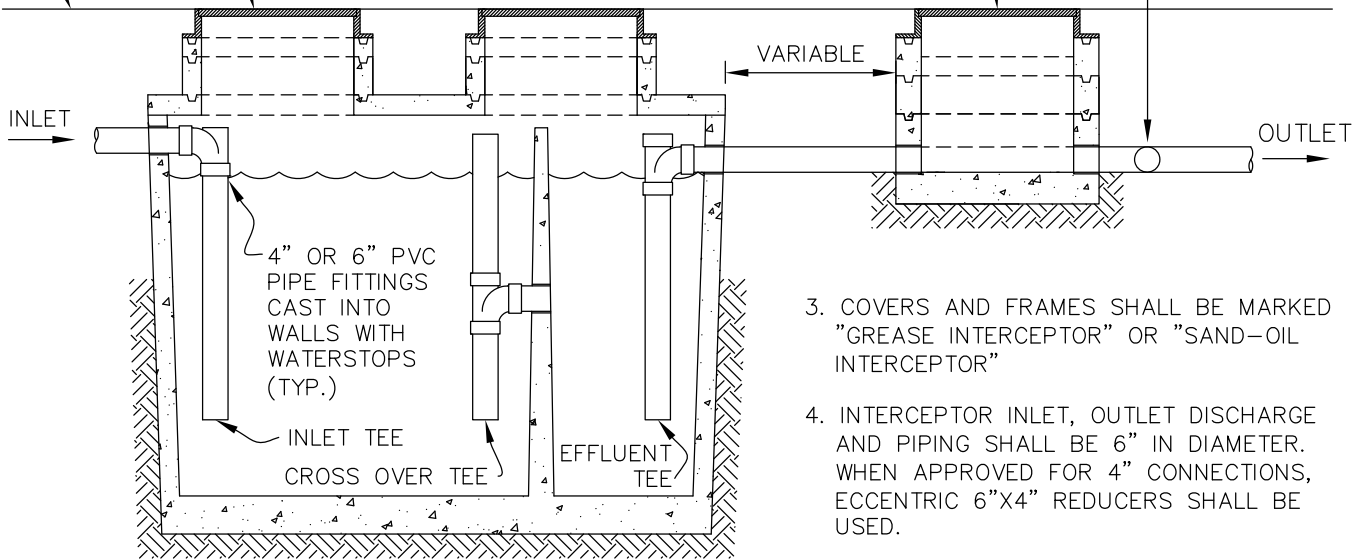
PLAN

SAMPLE BOX

ALL REMAINING BUILDING  
WASTEWATER DRAIN LINES  
WITH NO POTENTIAL TO  
DISCHARGE LIQUID  
CONTAINING GREASE & OIL

FINISHED GRADE

24" CAST IRON GASTIGHT  
MANHOLE FRAME AND COVER



SECTION

NOTES:

1. GREASE INTERCEPTORS SHALL BE SIZED IN ACCORDANCE WITH THE UNIFORM PLUMBING CODE REQUIREMENTS. THE MINIMUM GREASE INTERCEPTOR SIZE SHALL BE A 500 GAL. UNIT.
2. INTERCEPTOR STRUCTURES SHALL BE COATED ON THE INTERIOR AND TESTED PER STANDARD SPECIFICATIONS.

3. COVERS AND FRAMES SHALL BE MARKED "GREASE INTERCEPTOR" OR "SAND-OIL INTERCEPTOR"
4. INTERCEPTOR INLET, OUTLET DISCHARGE AND PIPING SHALL BE 6" IN DIAMETER. WHEN APPROVED FOR 4" CONNECTIONS, ECCENTRIC 6"x4" REDUCERS SHALL BE USED.
5. ALL INTERCEPTORS SHALL BE VENTED PER PLUMBING CODE.
6. GREASE INTERCEPTORS 1,500 GALLONS AND LESS ARE ALLOWED TO HAVE ONLY TWO MANHOLE OPENINGS, AS SHOWN IN THIS DETAIL. LARGER GREASE INTERCEPTORS SHALL HAVE THREE MANHOLE OPENINGS, POSITIONED OVER THE INLET, CROSS OVER, AND EFFLUENT TEE.



LAGUNA  
COUNTY  
SANITATION  
DISTRICT

GREASE  
INTERCEPTOR

STANDARD  
DRAWING  
NO. 7



Attachment A

## Water Main Separation

The installation of sewer lines in relation to water lines must comply with the California Code of Regulations as described in the following excerpt (or of latest register).

Specific criteria or approvals for waivers and alternatives are to be directed to:

State Water Resources Control Board  
Division of Drinking Water, District 6 – Santa Barbara  
1180 Eugenia Place, Suite 200  
Carpinteria, CA 93013  
(805) 566-1326

## Attachment A

### California Code of Regulations Title 22. Social Security Division 4. Environmental Health Chapter 16. California Waterworks Standards

#### Article 1.5. Waivers and Alternatives §64551.100. Waivers and Alternatives.

(a) A water system that proposes to use an alternative to a requirement in this chapter shall:

- (1) Demonstrate to the Department that the proposed alternative would provide at least the same level of protection to public health; and
- (2) Obtain written approval from the Department prior to implementation of the alternative.

#### Article 4. Materials and Installation of Water Mains and Appurtenances § 64572. Water Main Separation.

(a) New water mains and new supply lines shall not be installed in the same trench as, and shall be at least 10 feet horizontally from and one foot vertically above, any parallel pipeline conveying:

- (1) Untreated sewage,
- (2) Primary or secondary treated sewage,
- (3) Disinfected secondary-2.2 recycled water (defined in section 60301.220),
- (4) Disinfected secondary-23 recycled water (defined in section 60301.225), and
- (5) Hazardous fluids such as fuels, industrial wastes, and wastewater sludge.

(b) New water mains and new supply lines shall be installed at least 4 feet horizontally from, and one foot vertically above, any parallel pipeline conveying:

- (1) Disinfected tertiary recycled water (defined in section 60301.230), and
- (2) Storm drainage.

(c) New supply lines conveying raw water to be treated for drinking purposes shall be installed at least 4 feet horizontally from, and one foot vertically below, any water main.

(d) If crossing a pipeline conveying a fluid listed in subsection (a) or (b), a new water main shall be constructed no less than 45-degrees to and at least one foot above that pipeline. No connection joints shall be made in the water main within eight horizontal

## Attachment A

feet of the fluid pipeline.

(e) The vertical separation specified in subsections (a), (b), and (c) is required only when the horizontal distance between a water main and pipeline is less than ten feet.

(f) New water mains shall not be installed within 100 horizontal feet of the nearest edge of any sanitary landfill, wastewater disposal pond, or hazardous waste disposal site, or within 25 horizontal feet of the nearest edge of any cesspool, septic tank, sewage leach field, seepage pit, underground hazardous material storage tank, or groundwater recharge project site.

(g) The minimum separation distances set forth in this section shall be measured from the nearest outside edge of each pipe barrel.

(h) With State Board approval, newly installed water mains may be exempt from the separation distances in this section, except subsection (f), if the newly installed main is:

(1) Less than 1,320 linear feet,

(2) Replacing an existing main, installed in the same location, and has a diameter no greater than six inches more than the diameter of the main it is replacing, and

(3) Installed in a manner that minimizes the potential for contamination, including, but not limited to:

(A) Sleeving the newly installed main, or

(B) Utilizing upgraded piping material.

Attachment B

Laguna County Sanitation District  
Sewer Service Application



**LAGUNA COUNTY SANITATION DISTRICT**

620 West Foster Road

SANTA MARIA, CA 93455

PHONE: (805) 803-8750 PLANT: (805) 934-6282 FAX: (805) 803-8753

**SEWER SERVICE APPLICATION**

Date: \_\_\_\_\_

Name of Owner/Agent: \_\_\_\_\_ Telephone No: \_\_\_\_\_  
 Location: \_\_\_\_\_ APN: \_\_\_\_\_  
 Owner of Property: \_\_\_\_\_ Telephone No: \_\_\_\_\_  
 Contractor: \_\_\_\_\_ Telephone No: \_\_\_\_\_

Permit For:  New Connection  Connection Repair/Replacement  Addition  Other (see description below)

Description of Work: \_\_\_\_\_

**TO BE FILLED OUT BY LAGUNA COUNTY SANITATION DISTRICT**

Check (✓) the connection type:

Single Family Residence No. of Units \_\_\_\_\_  Commercial \_\_\_\_\_  
 Apartment/Condo No. of Units \_\_\_\_\_  Industrial \_\_\_\_\_  
 Institutional \_\_\_\_\_

The following conditions are required if checked (✓):

Sampling Manhole  Layout Sketch to be Submitted as Shown Below  
 Grease Interceptor (750-gallon minimum)  Backwater Valve

**Facility Description:**

<b>FEES:</b>	<b>AMOUNT</b>	<b>DATE PAID</b>	<b>RECEIPT</b>
Annexation fee:	_____	_____	_____
Application fee:	_____	_____	_____
Plan check fee:	_____	_____	_____
Inspection fee:	_____	_____	_____
Trunk line fee:	_____	_____	_____
Connection fee:	_____	_____	_____
Sewer service charge:	_____	_____	_____
Other fees:	_____	_____	_____
<b>TOTAL FEES DUE:</b>	_____	_____	_____

<b>INSPECTION RECORD</b>		
INSPECTION	DATE	APPROVED BY
Pipe line and wye	_____	_____
Air or water test	_____	_____
Mandrel test	_____	_____
Manhole inspection	_____	_____
Video inspection	_____	_____
Final ball and flush	_____	_____
Inspection complet	_____	_____

Accurate layout drawings of the main and lateral sewers shall be submitted to, and approved by the District prior to construction, installation and inspection of such facilities. The layout drawings shall be in accordance with the District's Standard Specifications. In-lieu of other District written correspondence, this application may serve as the District's "Can-and-Will Serve" commitment of service. This commitment is valid unless the project application with the planning agency expires. I hereby certify that I have read this Application and the information given to me is correct. I hereby agree to comply with all rules and regulations of the Laguna County Sanitation District, County/City Ordinances and laws of the State of California regulating sewers and sanitation. I hereby certify that I am a licensed contractor, the legal owner, or his/her authorized agent of the above described property.

OWNER/AGENT SIGNATURE \_\_\_\_\_ PRINT NAME \_\_\_\_\_ DATE \_\_\_\_\_

**IMPORTANT REQUIREMENTS ON REVERSE SIDE**